

ABB general purpose drives

Hardware manual ACS580-01 drives



Power and productivity
for a better world™



List of related manuals

Drive manuals and guides	Code (English)
<i>ACS580 firmware manual</i>	3AXD50000016097
<i>ACS580-01 hardware manual</i>	3AXD50000018826
<i>ACS580-01 quick installation and start-up guide for frames R0 to R3</i>	3AUA0000076332
<i>ACS580-01 quick installation and start-up guide for frame R5</i>	3AXD50000007518
<i>ACS580-01 quick installation and start-up guide for frames R6 to R9</i>	3AXD50000009286
<i>ACS-AP-x assistant control panels user's manual</i>	3AUA0000085685
<i>Flange mounting quick guide for frames R6 to R9</i>	3AXD50000019099
<i>Flange mounting supplement</i>	3AXD50000019100
Option manuals and guides	
<i>CDPI-01 communication adapter module user's manual</i>	3AXD50000009929
<i>DPMP-01 mounting platform for ACS-AP control panel</i>	3AUA0000100140
<i>DPMP-02 mounting platform for ACS-AP control panel</i>	3AUA0000136205
<i>FCAN-01 CANopen adapter module user's manual</i>	3AFE68615500
<i>FCNA-01 ControlNet adapter module user's manual</i>	3AUA0000141650
<i>FDNA-01 DeviceNet™ adapter module user's manual</i>	3AFE68573360
<i>FECA-01 EtherCAT adapter module user's manual</i>	3AUA0000068940
<i>FENA-01/-11/-21 Ethernet adapter module user's manual</i>	3AUA0000093568
<i>FEPL-02 Ethernet POWERLINK adapter module user's manual</i>	3AUA0000123527
<i>FPBA-01 PROFIBUS DP adapter module user's manual</i>	3AFE68573271
<i>FSCA-01 RS-485 adapter module user's manual</i>	3AUA0000109533
Tool and maintenance manuals and guides	
<i>Drive composer PC tool user's manual</i>	3AUA0000094606
<i>Converter module capacitor reforming instructions</i>	3BFE64059629
<i>NETA-21 remote monitoring tool user's manual</i>	3AUA00000969391
<i>NETA-21 remote monitoring tool installation and start-up guide</i>	3AUA0000096881

You can find manuals and other product documents in PDF format on the Internet. See section [Document library on the Internet](#) on the inside of the back cover. For manuals not available in the Document library, contact your local ABB representative.

The QR code below opens an online listing of the manuals applicable to this product.



[ACS580-01 manuals](#)

Hardware manual

ACS580-01 drives

Table of contents



1. Safety instructions



4. Mechanical installation



6. Electrical installation



Table of contents

List of related manuals	2
-------------------------------	---

1. Safety instructions

Contents of this chapter	11
Use of warnings and notes in this manual	11
General safety in installation, start-up and maintenance	12
Electrical safety in installation, start-up and maintenance	14
Precautions before electrical work	14
Additional instructions and notes	14
Grounding	16
Additional instructions for permanent magnet motor drives	17
Safety in installation, start-up and maintenance	17
General safety in operation	18

2. Introduction to the manual

Contents of this chapter	19
Applicability	19
Target audience	19
Purpose of the manual	19
Contents of this manual	20
Related documents	20
Categorization by frame (size)	21
Quick installation and commissioning flowchart	22

3. Operation principle and hardware description

Contents of this chapter	25
Operation principle	26
Layout	27
Overview of power and control connections	29
External control connection terminals, frames R0...R3	30
External control connection terminals, frame R5...R9	31
Control panel	32
Type designation label	33
Locations of the labels on the drive	34
Type designation key	35

4. Mechanical installation

Contents of this chapter	37
Safety	37
Checking the installation site	38
Required tools	39
Moving the drive	39
Unpacking and examining delivery, frames R0...R3	40



6 Table of contents

Unpacking and examining delivery, frame R5	41
Frame R5 cable entry box	42
Unpacking and examining delivery, frames R6...R9	43
Frame R6 cable entry box	44
Frame R7 cable entry box	45
Frame R8 cable entry box	46
Frame R9 cable entry box	47
Installing the drive	48
Installing the drive vertically, frames R0...R3	48
Installing the drive vertically, frame R5	49
Installing the drive vertically, frames R6...R9	51
Installing the drive vertically side by side	52
Installing the drive horizontally	52
Flange mounting	52

5. Planning the electrical installation

Contents of this chapter	53
Selecting the supply disconnecting device	53
European Union	53
Other regions	54
Checking the compatibility of the motor and drive	54
Selecting the power cables	54
General rules	54
Typical power cable sizes	55
Alternative power cable types	56
Motor cable shield	57
Additional US requirements	57
Selecting the control cables	58
Shielding	58
Signals in separate cables	58
Signals allowed to be run in the same cable	58
Relay cable	59
Control panel cable	59
Drive composer PC tool cable	59
FPBA-01 PROFIBUS DP adapter module connectors	59
Routing the cables	60
General rules	60
Separate control cable ducts	61
Continuous motor cable shield or enclosure for equipment on the motor cable	61
Implementing thermal overload and short-circuit protection	62
Protecting the drive and input power cable in short-circuits	62
Protecting the motor and motor cable in short-circuits	62
Protecting the drive and the input power and motor cables against thermal overload	62
Protecting the motor against thermal overload	62
Protecting the drive against ground faults	63
Residual current device compatibility	63
Implementing the Emergency stop function	63
Implementing the Safe torque off function	63
Implementing the Power-loss ride-through function	64
Using a safety switch between the drive and the motor	64



Using a contactor between the drive and the motor	65
Implementing a bypass connection	65
Example bypass connection	66
Protecting the contacts of relay outputs	67
Limiting relay output maximum voltages at high installation altitudes	68

6. Electrical installation

Contents of this chapter	69
Warnings	69
Required tools	69
Checking the insulation of the assembly	70
Drive	70
Input power cable	70
Motor and motor cable	70
Brake resistor assembly	71
Checking the compatibility with IT (ungrounded) and corner-grounded TN systems	71
Frames R0...R3	72
Frames R5...R9	73
Connecting the power cables	74
Connection diagram	74
Connection procedure, frames R0...R3	75
Connection procedure, frame R5	82
Connection procedure, frames R6...R9	86
Motor cable	87
DC connection	90
Connecting the control cables	91
Default I/O connection diagram (ABB standard macro)	92
Control cable connection procedure R0...R9	99
Installing option modules	104
Mechanical installation of option modules	104
Wiring the modules	106
Reinstalling covers	107
Reinstalling cover, frames R0...R3	107
Reinstalling covers, frame R5	108
Reinstalling side plates and covers, frames R6...R9	109
Connecting a PC	110



7. Installation checklist

Contents of this chapter	111
Warnings	111
Checklist	111

8. Maintenance and hardware diagnostics

Contents of this chapter	113
Maintenance intervals	113
Preventive maintenance intervals	114
Heatsink	115
Fans	116

8 Table of contents

Replacing the cooling fan, frames R0...R3	116
Replacing the cooling fan, frame R5	118
Replacing the main cooling fan, frames R6...R8	119
Replacing the main cooling fans, frame R9	120
Replacing the auxiliary cooling fan, frames R6...R9	121
Capacitors	122
Reforming the capacitors	122
Control panel	123
Cleaning the control panel	123
Replacing the battery in the assistant control panel	123
LEDs	124
Drive LEDs	124
Assistant panel LEDs	125

9. Technical data

Contents of this chapter	127
Ratings	128
IEC ratings	128
NEMA ratings	129
Definitions	129
Sizing	130
Derating	130
Ambient temperature derating, IP21	131
Ambient temperature derating, IP55	132
IP55 (UL Type 12) type -045A-4	132
IP55 (UL Type 12) drive type -293A-4	132
IP55 (UL Type 12) drive type -363A-4	133
IP55 (UL Type 12) type -430A-4	133
Switching frequency derating	134
Altitude derating	134
Fuses (IEC)	135
gG fuses	136
uR and aR fuses	137
Dimensions, weights and free space requirements	138
Losses, cooling data and noise	140
Terminal and lead-through data for the power cables	141
Terminal and lead-through data for the control cables	142
Electrical power network specification	143
Voltage (U1)	143
Motor connection data	143
Brake resistor connection data	146
Control connection data	146
Efficiency	152
Degree of protection	152
Ambient conditions	152
Materials	153
Applicable standards	154
CE marking	155
Compliance with the European Low Voltage Directive	155
Compliance with the European EMC Directive	155



Compliance with the European ROHS Directive 2011/65/EU	155
Compliance with the European WEEE Directive 2002/96/EC	155
Compliance with the European Machinery Directive 2006/42/EC 2nd Edition – June 2010	155
Compliance with the EN 61800-3:2004 + A1:2012	156
Definitions	156
Category C1	156
Category C2	157
Category C3	157
Category C4	158
EAC marking	158
Disclaimer	158

10. Dimension drawings

Contents of this chapter	161
Frame R0, IP21	162
Frame R0, IP55	163
Frame R1, IP21	164
Frame R1, IP55	165
Frame R2, IP21	166
Frame R2, IP55	167
Frame R3, IP21	168
Frame R3, IP55	169
Frame R5, IP21	170
Frame R6, IP21	171
Frame R6, IP55	172
Frame R7, IP21	173
Frame R7, IP55	174
Frame R8, IP21	175
Frame R8, IP55	176
Frame R9, IP21	177
Frame R9, IP55	178



11. Resistor braking

Contents of this chapter	179
Operation principle and hardware description	179
Resistor braking, frames R0...R3	180
Planning the braking system	180
Mechanical installation	184
Electrical installation	184
Start-up	185
Resistor braking, frames R5...R9	186

12. Safe torque off function

What this chapter contains	187
Description	187
Compliance with the European Machinery Directive	188
Connection principle	189

10 Table of contents

Connection with internal +24 V DC power supply	189
Connection with external +24 V DC power supply	189
Wiring examples	190
Activation switch	190
Cable types and lengths	191
Grounding of protective shields	191
Operation principle	191
Start-up including acceptance test	192
Authorized person	192
Acceptance test reports	192
Acceptance test procedure	193
Use	194
Maintenance	195
Fault tracing	195
Safety data	196
Abbreviations	198
Declaration of conformity	198
Certificate	198



13. Optional I/O extension modules

What this chapter contains	199
CMOD-01 multifunction extension module (external 24 V AC/DC and digital I/O)	199
Safety instructions	199
Hardware description	199
Mechanical installation	200
Electrical installation	201
Start-up	203
Diagnostics	204
Technical data	205
CMOD-02 multifunction extension module (external 24 V AC/DC and isolated PTC interface)	208
Safety instructions	208
Hardware description	208
Mechanical installation	209
Electrical installation	210
Start-up	212
Diagnostics	213
Technical data	214

Further information

Product and service inquiries	217
Product training	217
Providing feedback on ABB Drives manuals	217
Document library on the Internet	217

1

Safety instructions




Contents of this chapter

This chapter contains the safety instructions which you must obey when you install and operate the drive and do maintenance on the drive. If you ignore the safety instructions, injury, death or damage can occur.

Use of warnings and notes in this manual

Warnings tell you about conditions which can cause injury or death, or damage to the equipment. They also tell you how to prevent the danger. Notes draw attention to a particular condition or fact, or give information on a subject.


The manual uses these warning symbols:

	Electricity warning tells about hazards from electricity which can cause injury or death, or damage to the equipment.
	General warning tells about conditions, other than those caused by electricity, which can cause injury or death, or damage to the equipment.
	Electrostatic sensitive devices warning tells you about the risk of electrostatic discharge which can cause damage to the equipment.

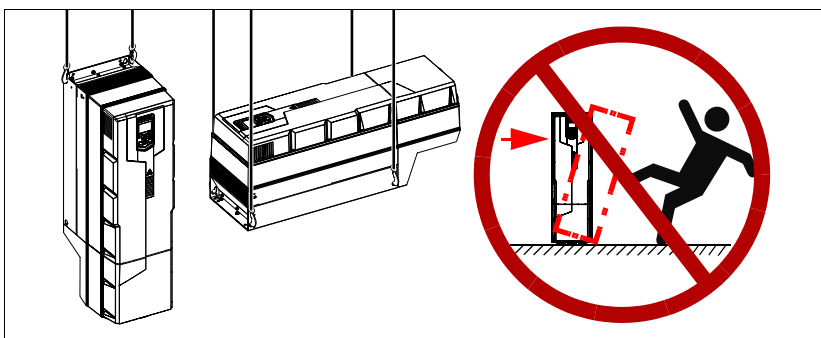


General safety in installation, start-up and maintenance

These instructions are for all personnel that install the drive and do maintenance work on it.

 **WARNING!** Obey these instructions. If you ignore them, injury or death, or damage to the equipment can occur.

- Handle the drive carefully.
 - Use safety shoes with a metal toe cap to avoid foot injury.
 - Frames R6...R9: Lift the drive with a lifting device. Use the lifting eyes of the drive.
 - Frames R6...R9: Do not tilt the drive. The drive is heavy and its center of gravity is high. An overturning drive can cause physical injury.



- Beware of hot surfaces. Some parts, such as heatsinks of power semiconductors, remain hot for a while after disconnection of the electrical supply.
 - Keep the drive in its package or protect it otherwise from dust and burr from drilling and grinding until you install it.
 - Protect also the installed drive against dust and burr. Electrically conductive debris inside the drive may cause damage or malfunction.
 - Vacuum clean the area below the drive before the start-up to prevent the drive cooling fan from drawing the dust inside the drive.
 - Do not cover the air inlet and outlet when the drive runs.
 - Make sure that there is sufficient cooling. See sections [Checking the installation site](#) on page 38 and [Losses, cooling data and noise](#) on page 140 for more information.
 - Before you connect voltage to the drive, make sure that the drive covers are on. Keep the covers on during the operation.
 - Before you adjust the drive operation limits, make sure that the motor and all driven equipment can operate throughout the set operation limits.
 - Before you activate automatic fault reset functions of the drive control program,
-

make sure that no dangerous situations can occur. These functions reset the drive automatically and continue operation after a fault.

- The maximum number of drive power-ups is five in ten minutes. Too frequent power-ups can damage the charging circuit of the DC capacitors.
- If you have connected safety circuits to the drive (for example, emergency stop and Safe torque off), validate them at the start up. For the validation of the Safe torque off, see *ACS580 firmware manual* (3AXD50000016097 [English]). For the validation of other safety circuits, see the instructions provided with them.

Note:

- If you select an external source for start command and it is on, the drive will start immediately after fault reset. See parameters 20.02 Ext1 start trigger type and 20.07 Ext2 start trigger type in *ACS580 firmware manual* (3AXD50000016097 [English]).
 - When the control location is not set to Local, the stop key on the control panel will not stop the drive.
 - Frames R0...R5 are not field repairable. Do not attempt to repair a malfunctioning drive; contact your local ABB representative for replacement.
Frames R6...R9 can be repaired by authorized persons.
-



Electrical safety in installation, start-up and maintenance

■ Precautions before electrical work

These warnings are for all personnel who do work on the drive, motor cable or motor.



WARNING! Obey these instructions. If you ignore them, injury or death, or damage to the equipment can occur. If you are not a qualified electrician, do not do electrical installation or maintenance work. Go through these steps before you begin any installation or maintenance work.

1. Clearly identify the work location.
2. Disconnect all possible voltage sources.
 - Open the main disconnecter at the power supply of the drive.
 - Make sure that reconnection is not possible. Lock the disconnecter to open position and attach a warning notice to it.
 - Disconnect any external power sources from the control circuits before you do work on the control cables.
 - After you disconnect the drive, always wait for 5 minutes to let the intermediate circuit capacitors discharge before you continue.
3. Protect any other energized parts in the work location against contact.
4. Take special precautions when close to bare conductors.
5. Measure that the installation is de-energized.
 - Use a multimeter with an impedance of at least 1 Mohm.
 - Make sure that the voltage between the drive input power terminals (L1, L2, L3) and the grounding terminal (PE) is close to 0 V.
 - Make sure that the voltage between the drive DC terminals (UDC+ and UDC-) and the grounding terminal (PE) is close to 0 V.
6. Install temporary grounding as required by the local regulations.
7. Ask for a permit to work from the person in control of the electrical installation work.

■ Additional instructions and notes



WARNING! Obey these instructions. If you ignore them, injury or death, or damage to the equipment can occur.

- If you install the drive on an IT system (an ungrounded power system or a high-resistance-grounded [over 30 ohms] power system), disconnect the internal EMC filter; otherwise the system will be connected to ground potential through the EMC
-

filter capacitors. This can cause danger or damage the drive. See page 72.

Note: Disconnecting the internal EMC filter increases the conducted emission and reduces the drive EMC compatibility considerably. See section [EMC compatibility and motor cable length](#) on page 145.

- If you install the drive on a corner-grounded TN system, disconnect the internal EMC filter; otherwise the system will be connected to ground potential through the EMC filter capacitors. This will damage the drive. See page 72.
Note: Disconnecting the internal EMC filter increases the conducted emission and reduces the drive EMC compatibility considerably. See section [EMC compatibility and motor cable length](#) on page 145.
- Use all ELV (extra low voltage) circuits connected to the drive only within a zone of equipotential bonding, that is, within a zone where all simultaneously accessible conductive parts are electrically connected to prevent hazardous voltages appearing between them. You can accomplish this by a proper factory grounding, that is, make sure that all simultaneously accessible conductive parts are grounded to the protective earth (PE) bus of the building.
- Do not do insulation or voltage withstand tests on the drive or drive modules.

Note:

- The motor cable terminals of the drive are at a dangerous voltage when the input power is on, regardless of whether the motor is running or not.
- The DC and brake resistor terminals (UDC+, UDC-, R+ and R-) are at a dangerous voltage.
- External wiring can supply dangerous voltages to the terminals of relay outputs (RO1, RO2 and RO3).
- The Safe torque off function does not remove the voltage from the main and auxiliary circuits. The function is not effective against deliberate sabotage or misuse.



WARNING! Use a grounding wrist band when you handle the printed circuit boards. Do not touch the boards unnecessarily. The boards contain components sensitive to electrostatic discharge.

■ Grounding

These instructions are for all personnel who are responsible for the electrical installation, including the grounding of the drive.



WARNING! Obey these instructions. If you ignore them, injury or death, or equipment malfunction can occur, and electromagnetic interference can increase.

- If you are not a qualified electrician, do not do grounding work.
- Always ground the drive, the motor and adjoining equipment to the protective earth (PE) bus of the power supply. This is necessary for the personnel safety. Proper grounding also reduces electromagnetic emission and interference.
- In a multiple-drive installation, connect each drive separately to the protective earth (PE) bus of the power supply.
- Make sure that the conductivity of the protective earth (PE) conductors is sufficient. See section [Selecting the power cables](#) on page 54. Obey the local regulations.
- Connect the power cable shields to the protective earth (PE) terminals of the drive.
- Make a 360° grounding of the power and control cable shields at the cable entries to suppress electromagnetic disturbances.

Note:

- You can use power cable shields as grounding conductors only when their conductivity is sufficient.
 - Standard IEC/EN 61800-5-1 (section 4.3.5.5.2.) requires that as the normal touch current of the drive is higher than 3.5 mA AC or 10 mA DC, you must use a fixed protective earth (PE) connection. In addition,
 - install a second protective earth conductor of the same cross-sectional area as the original protective earthing conductor,or
 - install a protective earth conductor with a cross-section of at least 10 mm² Cu or 16 mm² Al,or
 - install a device which automatically disconnects the supply if the protective earth conductor breaks.
-

Additional instructions for permanent magnet motor drives

■ Safety in installation, start-up and maintenance

These are additional warnings concerning permanent magnet motor drives. The other safety instructions in this chapter are also valid.



WARNING! Obey these instructions. If you ignore them, injury or death and damage to the equipment can occur.

- Do not work on a drive when a rotating permanent magnet motor is connected to it. A rotating permanent magnet motor energizes the drive including its input power terminals.

Before installation, start-up and maintenance work on the drive:

- Stop the motor.
- Disconnect the motor from the drive with a safety switch or by other means.
- If you cannot disconnect the motor, make sure that the motor cannot rotate during work. Make sure that no other system, like hydraulic crawling drives, can rotate the motor directly or through any mechanical connection like felt, nip, rope, etc.
- Measure that the installation is de-energized.
 - Use a multimeter with an impedance of at least 1 Mohm.
 - Make sure that the voltage between the drive output terminals (T1/U, T2/V, T3/W) and the grounding (PE) busbar is close to 0 V.
 - Make sure that the voltage between the drive input power terminals (L1, L2, L3) and the grounding (PE) busbar is close to 0 V.
 - Make sure that the voltage between the drive DC terminals (UDC+, UDC-) and the grounding (PE) terminal is close to 0 V.
- Install temporary grounding to the drive output terminals (T1/U, T2/V, T3/W). Connect the output terminals together as well as to the PE.

Start-up and operation:

- Make sure that the operator cannot run the motor over the rated speed. Motor overspeed causes overvoltage that can damage or explode the capacitors in the intermediate circuit of the drive.
-



General safety in operation

These instructions are for all personnel that operate the drive.



WARNING! Obey these instructions. If you ignore them, injury or death, or damage to the equipment can occur.

- Do not control the motor with the disconnecter at the drive power supply; instead, use the control panel start and stop keys or commands through the I/O terminals of the drive.
- Give a stop command to the drive before you reset a fault. If you have an external source for the start command and the start is on, the drive will start immediately after the fault reset, unless you configure the drive for pulse start. See the firmware manual.
- Before you activate automatic fault reset functions of the drive control program, make sure that no dangerous situations can occur. These functions reset the drive automatically and continue operation after a fault.

Note: When the control location is not set to Local, the stop key on the control panel will not stop the drive.





Introduction to the manual

Contents of this chapter

The chapter describes applicability, target audience and purpose of this manual. It describes the contents of this manual and refers to a list of related manuals for more information. The chapter also contains a flowchart of steps for checking the delivery, installing and commissioning the drive. The flowchart refers to chapters/sections in this manual.

Applicability

The manual applies to the ACS580-01 drives.

Target audience

The reader is expected to know the fundamentals of electricity, wiring, electrical components and electrical schematic symbols.

The manual is written for readers worldwide. Both SI and imperial units are shown. Special US instructions for installations in the United States are given.

Purpose of the manual

This manual provides information needed for planning the installation, installing, and servicing the drive.

Contents of this manual

The manual consists of the following chapters:

- [Safety instructions](#) (page 11) gives safety instructions you must obey when installing, commissioning, operating and servicing the drive.
- [Introduction to the manual](#) (this chapter, page 19) describes applicability, target audience, purpose and contents of this manual. It also contains a quick installation and commissioning flowchart. At the end, it lists terms and abbreviations.
- [Operation principle and hardware description](#) (page 25) describes the operation principle, layout, power connections and control interfaces, type designation label and type designation information in short.
- [Mechanical installation](#) (page 37) describes how to check the installation site, unpack, check the delivery and install the drive mechanically.
- [Planning the electrical installation](#) (page 53) describes how to plan the electrical installation of the drive, for example, how to check the compatibility of the motor and the drive and select cables, protections and cable routing.
- [Electrical installation](#) (page 69) describes how to check the insulation of the assembly and the compatibility with IT (ungrounded) and corner-grounded TN systems. It then shows how to connect the power and control cables, install optional modules and connect a PC.
- [Installation checklist](#) (page 111) contains a checklist for checking the mechanical and electrical installation of the drive before start-up.
- [Maintenance and hardware diagnostics](#) (page 113) contains preventive maintenance instructions and LED indicator descriptions.
- [Technical data](#) (page 127) contains technical specifications of the drive, eg ratings, sizes and technical requirements as well as provisions for fulfilling the requirements for CE and other marks.
- [Dimension drawings](#) (page 161) shows dimension drawings of the drive.
- [Resistor braking](#) (page 179) tells how to select the brake resistor.
- [Safe torque off function](#) (page 187) describes STO features, installation and technical data.
- [Optional I/O extension modules](#) (page 199) describes CMOD-01 and CMOD-02 multifunction extension modules, their installation, start-up, diagnostics and technical data.
- [Further information](#) (inside of the back cover, page 217) tells how to make product and service inquiries, get information on product training, provide feedback on ABB Drives manuals and find documents on the Internet.

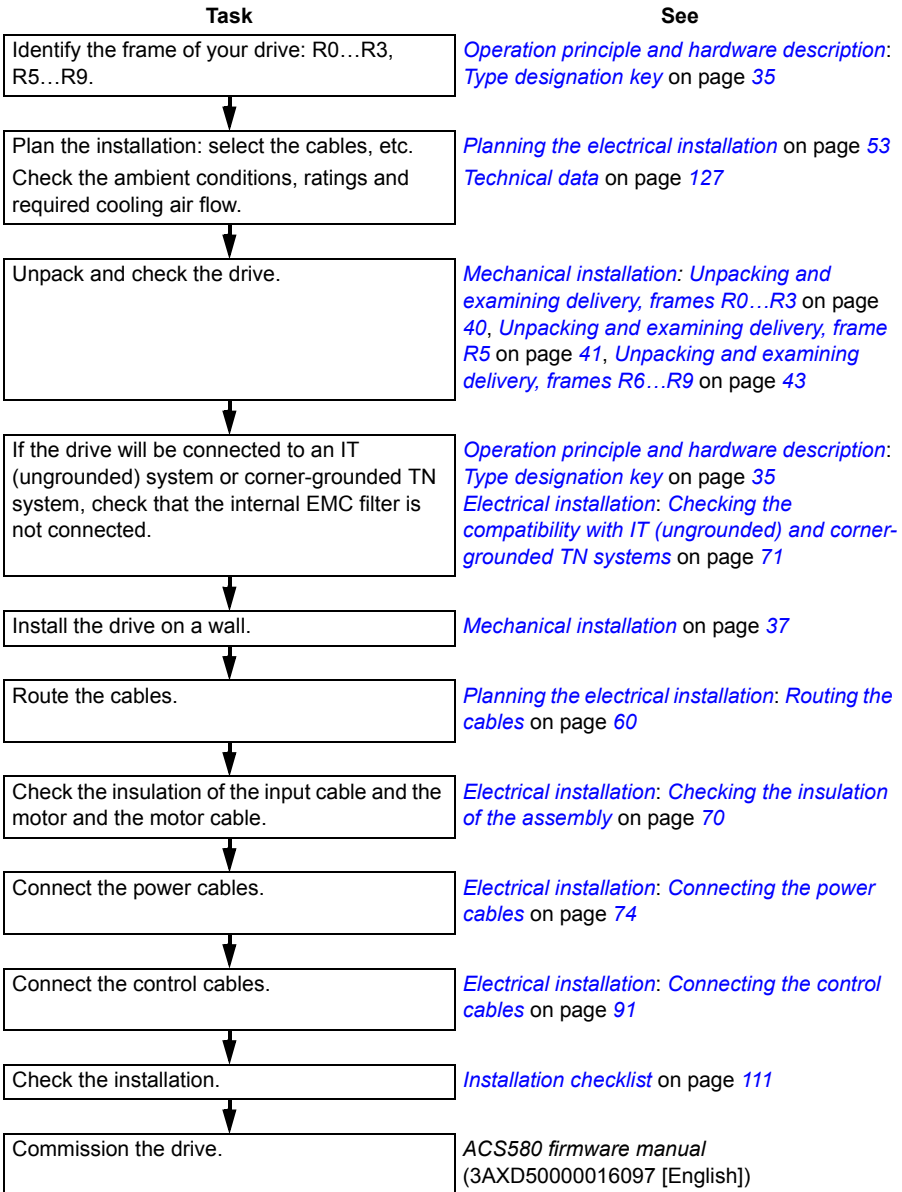
Related documents

See [List of related manuals](#) on page 2 (inside of the front cover).

Categorization by frame (size)

The ACS580-01 is manufactured in frames (frame sizes) R0...R3 and R5...R9. Some instructions and other information which only concern certain frames are marked with the symbol of the frame (R0...R3, R5...R9). The frame is marked on the type designation label attached to the drive, see section [Type designation label](#) on page [33](#).

Quick installation and commissioning flowchart



Terms and abbreviations

Term/abbreviation	Explanation
ACS-AP-x	Assistant control panel, advanced operator keypad for communication with the drive. The ACS580 supports types ACS-AP-I and ACS-AP-S.
Brake chopper	Conducts the surplus energy from the intermediate circuit of the drive to the brake resistor when necessary. The chopper operates when the DC link voltage exceeds a certain maximum limit. The voltage rise is typically caused by deceleration (braking) of a high inertia motor.
Brake resistor	Dissipates the drive surplus braking energy conducted by the brake chopper to heat. Essential part of the brake circuit. See Brake chopper .
Control board	Circuit board in which the control program runs.
Capacitor bank	See DC link capacitors .
CDPI-01	Communication adapter module
CCA-01	Configuration adapter
CEIA-01	Embedded EIA-485 fieldbus adapter module
CHDI-01	Optional 115/230 V digital input extension module
CMOD-01	Optional multifunction extension module (external 24 V AC/DC and digital I/O extension)
CMOD-02	Optional multifunction extension module (external 24 V AC/DC and isolated PTC interface)
DC link	DC circuit between rectifier and inverter
DC link capacitors	Energy storage which stabilizes the intermediate circuit DC voltage
DPMP-01	Mounting platform for ACS-AP control panel (flange mounting)
DPMP-02	Mounting platform for ACS-AP control panel (surface mounting)
Drive	Frequency converter for controlling AC motors
EMC	Electromagnetic compatibility
EFB	Embedded fieldbus
FBA	Fieldbus adapter
FCAN-01	Optional CANopen adapter module
FCNA-01	ControlNet adapter module
FDNA-01	Optional DeviceNet adapter module
FECA-01	Optional EtherCAT adapter module
FENA-01/-11/-21	Optional Ethernet adapter module for EtherNet/IP, Modbus TCP and PROFINET IO protocols
FEPL-02	Ethernet POWERLINK adapter module
FPBA-01	Optional PROFIBUS DP adapter module
Frame (size)	Refers to drive physical size, for example R0 and R1. The type designation label attached to the drive shows the frame of the drive, see section Type designation key on page 35.
FSCA-01	Optional RSA-485 adapter module
I/O	Input/Output

Term/abbreviation	Explanation
IGBT	Insulated gate bipolar transistor
Intermediate circuit	See DC link .
Inverter	Converts direct current and voltage to alternating current and voltage.
LRFI	Series of optional EMC filters
LSW	Least significant word
Macro	Pre-defined default values of parameters in drive control program. Each macro is intended for a specific application. See <i>ACS580 firmware manual</i> (3AXD50000016097 [English]).
NETA-21	Remote monitoring tool
Network control	With fieldbus protocols based on the Common Industrial Protocol (CIP™), such as DeviceNet and Ethernet/IP, denotes the control of the drive using the Net Ctrl and Net Ref objects of the ODVA AC/DC Drive Profile. For more information, see www.odva.org , and the following manuals: <ul style="list-style-type: none"> • <i>FDNA-01 DeviceNet adapter module user's manual</i> (3AFE68573360 [English]), and • <i>FENA-01/-11/-21 Ethernet adapter module user's manual</i> (3AUA0000093568 [English]).
Parameter	User-adjustable operation instruction to the drive, or signal measured or calculated by the drive
PLC	Programmable logic controller
PROFIBUS, PROFIBUS DP, PROFINET IO	Registered trademarks of PI - PROFIBUS & PROFINET International
R0, R1, ...	Frame (size)
RCD	Residual current device
Rectifier	Converts alternating current and voltage to direct current and voltage.
RFI	Radio-frequency interference
SIL	Safety integrity level. See chapter Safe torque off function on page 187.
STO	Safe torque off. See chapter Safe torque off function on page 187.



3

Operation principle and hardware description

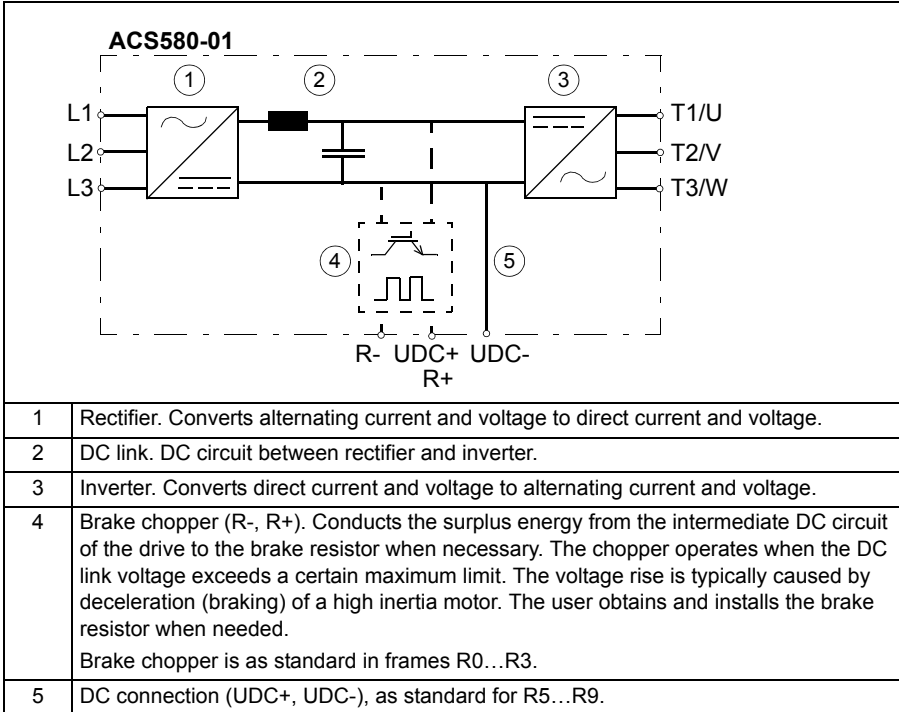
Contents of this chapter

This chapter briefly describes the operation principle, layout, type designation label and type designation information. It also shows a general diagram of power connections and control interfaces.

Operation principle

The ACS580-01 is a drive for controlling asynchronous AC induction motors and permanent magnet synchronous motors.

The figure below shows the simplified main circuit diagram of the drive.

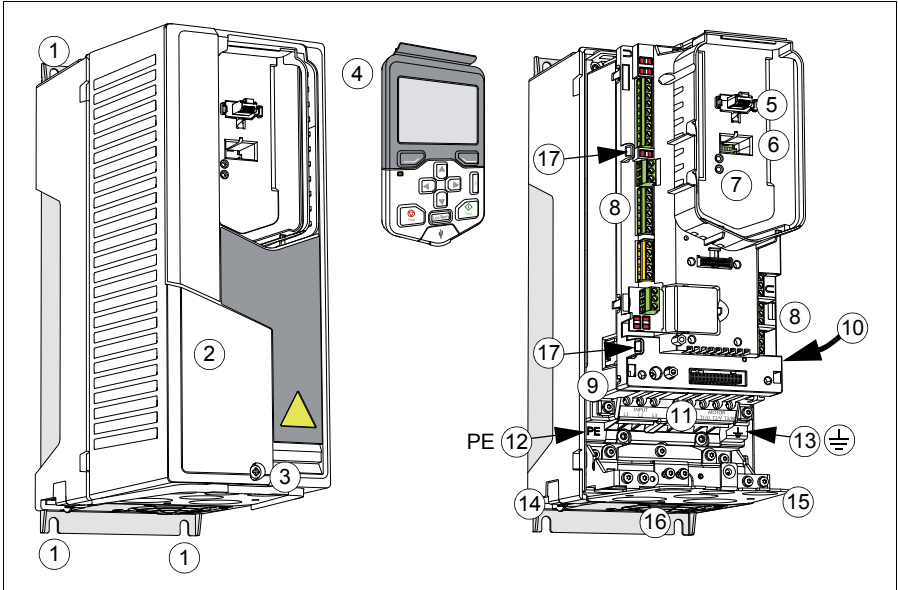


Layout

Frames R0...R3

The layout of a frame R0 drive is presented below. The construction of frames R1...R3 differs to some extent.

R0



1	Mounting points (4 pieces)
2	Cover
3	Cover screw
4	Assistant control panel
5	Control panel connection
6	Cold configuration connection for CCA-01
7	Power OK and Fault LEDs. See section LEDs on page 124.
8	I/O connections. See section External control connection terminals, frames R0...R3 on page 30.
9	Varistor grounding switch (VAR)

10	EMC filter grounding switch (EMC). R0...R2: On the right side of the drive. R3: On the front, near the I/O connections. See Checking the compatibility with IT (ungrounded) and corner-grounded TN systems on page 71.
11	Input power connection (L1, L2, L3), motor connection (T1/U, T2/V, T3/W) and brake connection (R-, R+/UDC+).
12	PE connection (power line)
13	Grounding connection (motor)
14	Additional grounding connection
15	Lead-through plate
16	Fan
17	Cable tie mounts for I/O cables

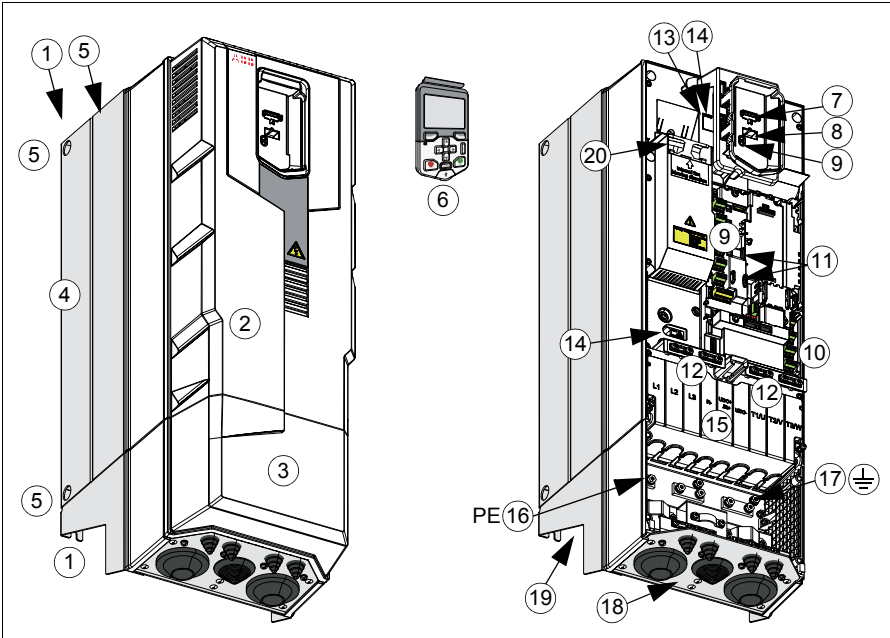
Frame R5

The layout of a frame R5 drive to be added.

Frames R6...R9

The layout of a frame R6 drive is presented below. The constructions of frames R7...R9 differ to some extent.

R6...R9

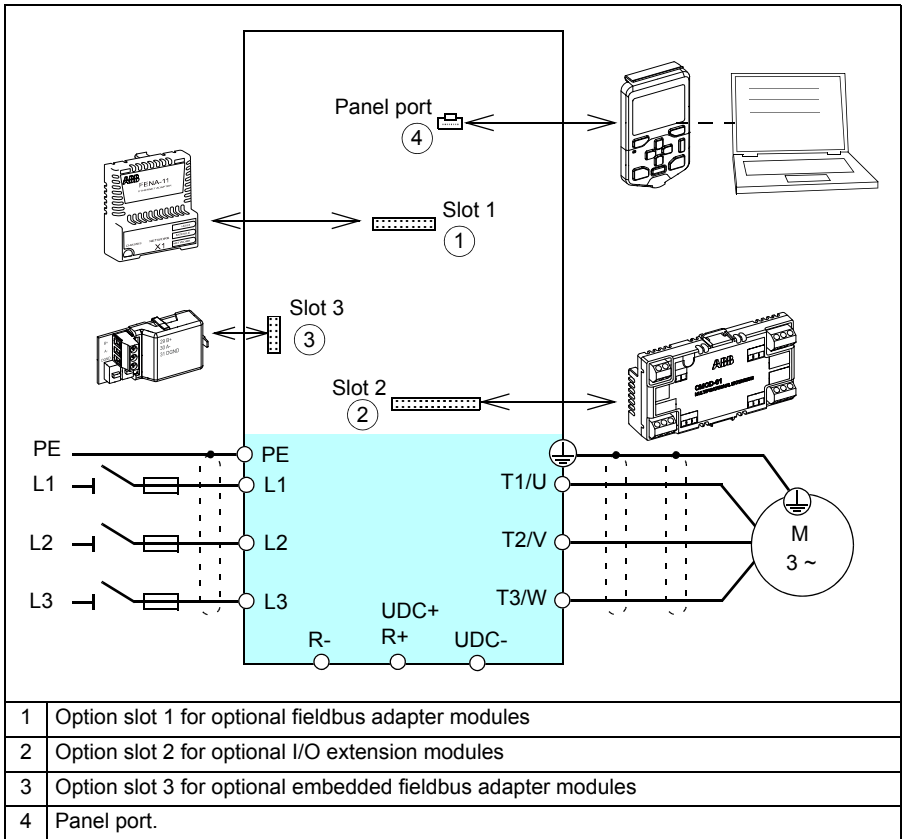


1	Mounting points (2 at the top, 2 at the bottom of the main part of the frame, 2 at the top of the cable entry box)
2	Cover
3	Cable entry box
4	Heatsink
5	Lifting holes (6 pieces)
6	Assistant control panel
7	Control panel connection
8	Cold configuration connection for CCA-01
9	Power OK and Fault LEDs. See section LEDs on page 124.
10	I/O connections. See section External control connection terminals, frame R5...R9 on page 31.
11	Cable tie mounts for I/O cables
12	Clamps for I/O cable mechanical support

13	Varistor grounding screw (VAR), under the control panel platform
14	Two EMC filter grounding screws (EMC), one under the control panel platform and one at the left, above the shroud. See Checking the compatibility with IT (ungrounded) and corner-grounded TN systems on page 71.
15	Shroud. Under the shroud: Input power connection (L1, L2, L3), motor connection (T1/U, T2/V, T3/W) and brake connection (R-, R+/UDC+) as well as DC connection (UDC+, UDC-).
16	PE connection (power line)
17	Grounding connection (motor)
18	Lead-through plate
19	One main fan (R6...R8), two main fans (R9) at the bottom
20	Auxiliary fan

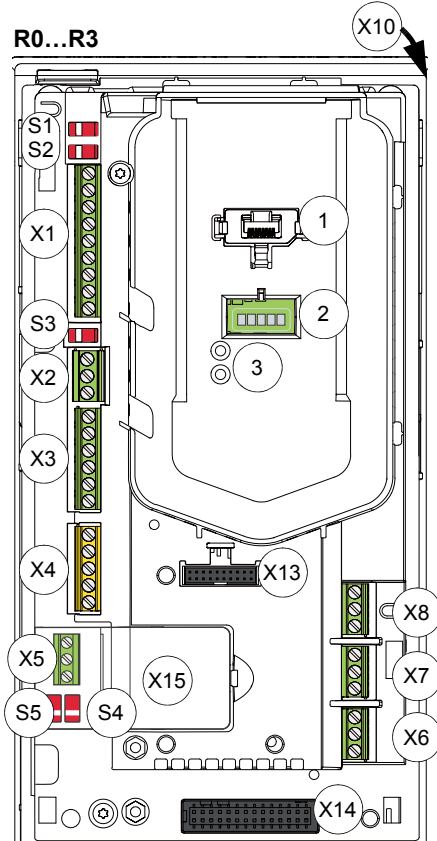
Overview of power and control connections

The logical diagram below shows the power connections and control interfaces of the drive.



External control connection terminals, frames R0...R3

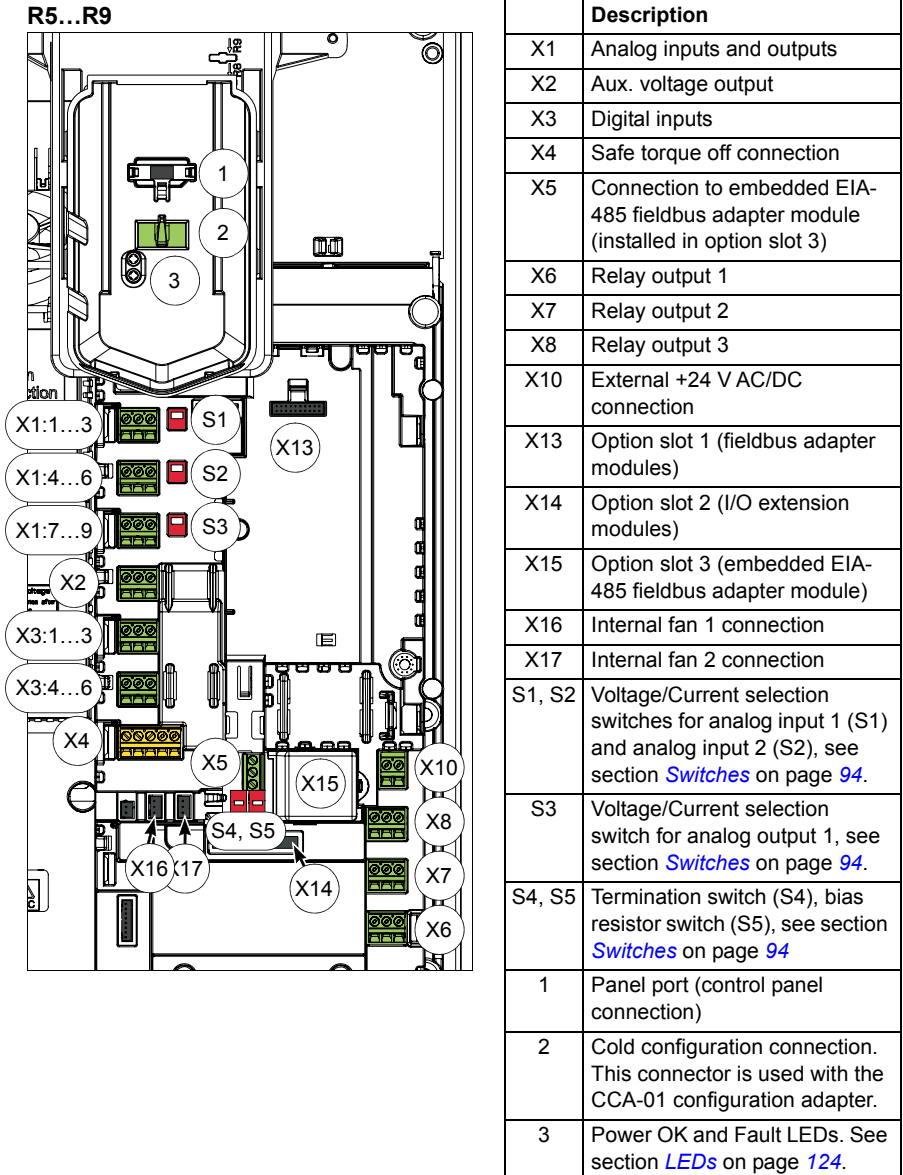
The layout of the external control connection terminals of the R0 frame is shown below. Layout of the external control connection terminals is identical in frames R0...R3 but the location of the control unit with the terminals is different in frame R3.



	Description
X1	Analog inputs and outputs
X2	Aux. voltage output
X3	Programmable digital inputs
X4	Safe torque off connection
X5	Connection to embedded EIA-485 fieldbus adapter module (installed in option slot 3)
X6	Relay output 1
X7	Relay output 2
X8	Relay output 3
X10	Internal fan connection (IP55)
X13	Option slot 1 (fieldbus adapter modules)
X14	Option slot 2 (I/O extension modules)
X15	Option slot 3 (embedded EIA-485 fieldbus adapter module)
S1, S2	Voltage/Current selection switches for analog input 1 (S1) and analog input 2 (S2), see section Switches on page 94.
S3	Voltage/Current selection switch for analog output 1, see section Switches on page 94.
S4, S5	Termination switch (S4), bias resistor switch (S5), see section Switches on page 94
1	Panel port (control panel connection)
2	Cold configuration connection. This connector is used with the CCA-01 configuration adapter.
3	Power OK and Fault LEDs. See section LEDs on page 124.

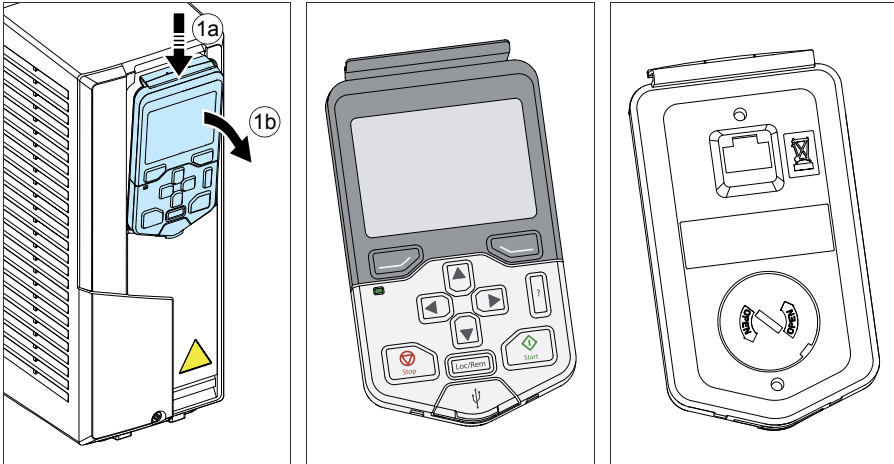
■ External control connection terminals, frame R5...R9

The layout of the external control connection terminals of frames R5...R9 is shown below.

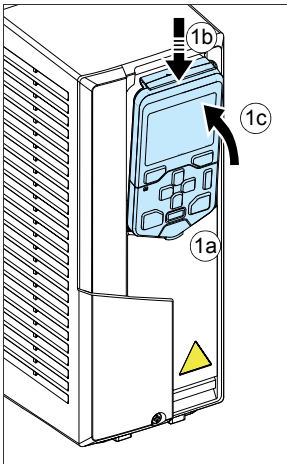


Control panel

To remove the control panel, press the retaining clip at the top (1a) and pull it forward from the top edge (1b).



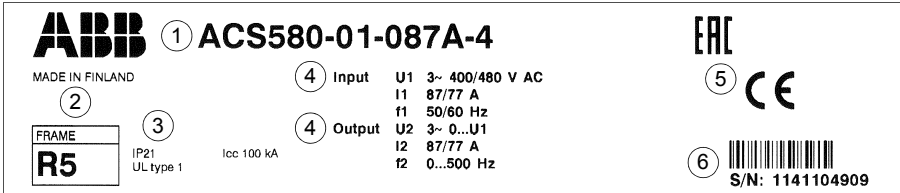
To reinstall the control panel, put the bottom of the container in position (1a), press the retaining clip at the top (1a) and push the control panel in at the top edge (1c).



For the use of the control panel, see *ACS580 firmware manual (3AXD50000016097 [English])* and *ACS-AP-X assistant control panels user's manual (3AUA0000085685 [English])*.

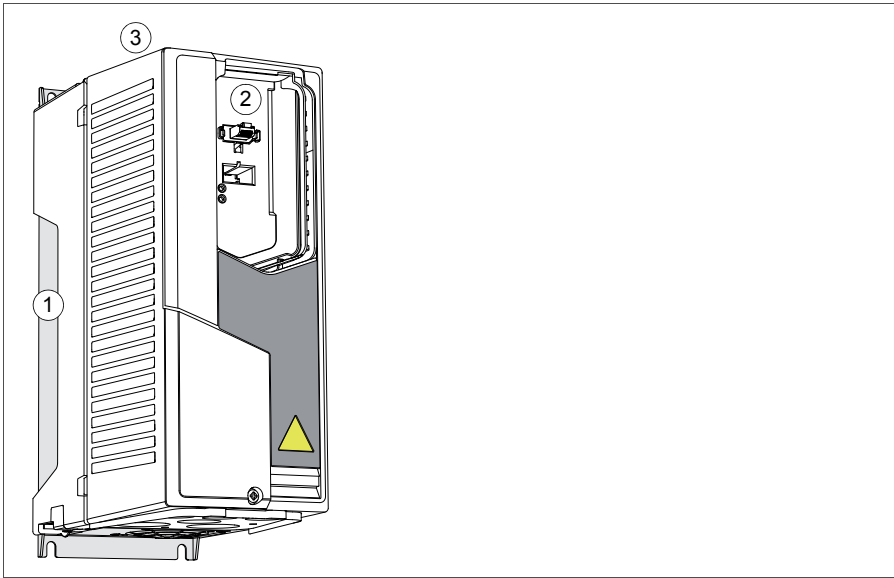
Type designation label

The type designation label includes IEC and NEMA ratings, appropriate markings and the type designation and serial number, which allow identification of each drive. The type designation label is located on the left side of the drive, see section [Locations of the labels on the drive](#). An example label is shown below.



No.	Description
1	Type designation, see section Type designation key on page 35.
2	Frame (size)
3	Degree of protection
4	Nominal ratings in the supply voltage range, see section Ratings on page 128.
5	Valid markings
6	S/N: Serial number of format MYYWWXXXX, where M: Manufacturer YY: 13, 14, 15, ... for 2013, 2014, 2015, ... WW: 01, 02, 03, ... for week 1, week 2, week 3, ... XXXXX: Integer starting every week from 0001

■ Locations of the labels on the drive



1	<p>ABB ACS580-01-087A-4</p> <p>MADE IN FINLAND</p> <p>Input U1 3~ 400/480 V AC I1 87/77 A f1 50/60 Hz</p> <p>Output U2 3~ 0..U1 I2 87/77 A f2 0...500 Hz</p> <p>FRAME R5 IP21 UL type 1 Icc 100 kA</p> <p>EAC CE</p> <p>S/N: 1141104909</p>
2	<p>ACS580-01-087A-4 S/N: 1141104909 SW v1.22</p>
3	<p>U1 3~ 400/480 V AC I2 87/77 A Pn 45 kW/60 hp</p> <p>ACS580-01-087A-4 S/N: 1141104909</p>

Type designation key

The type designation contains information on the specifications and configuration of the drive. You find the type designation on the type designation label attached to the drive. The first digits from the left express the basic configuration, for example, ACS580-01-12A6-5. The optional selections are given after that, separated by plus signs, for example, +L501. The main selections are described below. Not all selections are available for all types.

For more information, see *ACS580 Ordering information* (3AXD10000081909), available on the Internet, see section [Document library on the Internet](#) on the inside of the back cover.

<p>ACS580-01-12A6-4+L501+K457+...</p> <p style="text-align: center;"> ┌───┐ ┌──┐ ┌──┐ ┌──┐ </p> <p style="text-align: center;"> ① ② ③ ④ </p>

CODE	DESCRIPTION
Basic codes	
①	ACS580 Product series
01	When no options are selected: Wall mounted, IP21 (UL type 1), assistant control panel with USB port, choke, EMC C2 filter (internal EMC filter), Safe torque off, braking chopper in frames R0, R1, R2, R3, coated boards, cable lead through entry from bottom, cable entry box or conduit plate with cable entries, Quick guides with default set of languages as well as web links to basic PC tool and latest manual versions.
②	Size
xxxx	Refer to the rating table, page 128
③	Voltage rating
4	380...480 V
④	Option codes (plus codes)
Control panel and panel options	
J400	ACS-AP-S Assistant control panel (as standard)
J425	ACS-AP-I Assistant control panel
J424	CDUM-01 Blank control panel cover (no control panel)
K450	CDPI-01 panel bus adapter
I/O (one slot available for I/O options)	
L501	CMOD-01 External 24 V AC/DC and digital I/O extension (2×RO and 1×DO)
L523	CMOD-02 External 24 V AC/DC and isolated PTC interface
L512	CHDI-01 115/230 V Digital input extension (6×DI and 2×RO)

CODE	DESCRIPTION
Fieldbus adapters	
K454	FPBA-01 PROFIBUS DP
K457	FCAN-01 CANopen
K451	FDNA-01 DeviceNet™
K474	FENA-11 Ethernet (EtherNet/IP™, Modbus/TCP, PROFINET)
K469	FECA-01 EtherCAT
K458	FSCA-01 Modbus/RTU
K470	FEPL-02 Ethernet POWERLINK
K462	FCNA-01 ControlNet™
K475	FENA-21 2-port Ethernet (EtherNet/IP™, Modbus/TCP, PROFINET)
Embedded fieldbus	
	CEIA-01 Embedded Modbus RTU adapter, EIA-485 (as standard)
Construction	
B056	IP55 (UL type 12). Factory option, retro-fit not possible.
H358	Cable conduit plate, blank. Up to frame R3.
Full set of printed manuals in selected language. Note: The delivered manual set may include manuals in English if the translation is not available.	
R700	English
R701	German
R702	Italian
R703	Dutch
R704	Danish
R705	Swedish
R706	Finnish
R707	French
R708	Spanish
R709	Portuguese (Portugal)
R711	Russian
R712	Chinese
R714	Turkish


4

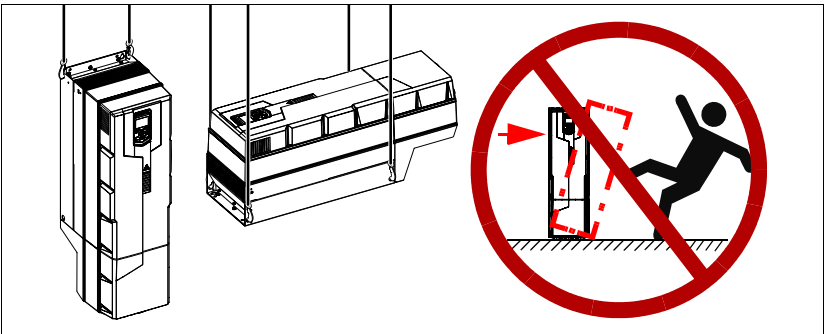
Mechanical installation

Contents of this chapter

The chapter tells how to check the installation site, unpack, check the delivery and install the drive mechanically.

Safety

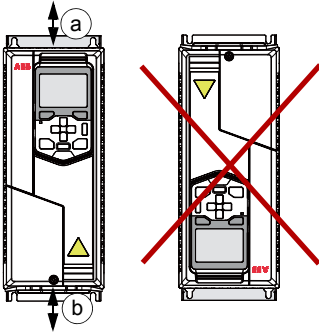
 **WARNING!** Frames R6...R9: Lift the drive with a lifting device. Use the lifting eyes of the drive. Do not tilt the drive. **The drive is heavy and its center of gravity is high. An overturning drive can cause physical injury.**



Checking the installation site

The drive must be installed on the wall. There are three alternative ways to install it:

- vertically alone. Do not install the drive upside down.

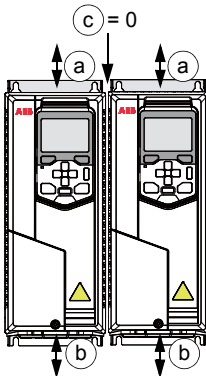


Frame size	Vertical installation - Free space			
	Above (a)		Below (b) ¹⁾	
	mm	in	mm	in
R0	200	7.9	200	7.9
R1	200	7.9	200	7.9
R2	200	7.9	200	7.9
R3	200	7.9	200	7.9
R5	200	7.9	300	11.8
R6	200	7.9	300	11.8
R7	200	7.9	300	11.8
R8	200	7.9	300	11.8
R9	200	7.9	300	11.8

3AXD00000586715.xls F

¹⁾ Free space below is measured from the fan, not from the cable entry box used in frames R5...R9.

- vertically side by side

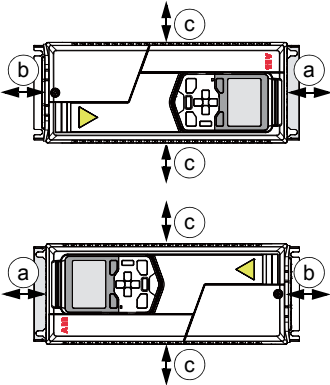


Frame size	Vertical installation side by side - Free space					
	Above (a)		Below (b) ¹⁾		Between (c)	
	mm	in	mm	in	mm	in
R0	200	7.9	200	7.9	0	0
R1	200	7.9	200	7.9	0	0
R2	200	7.9	200	7.9	0	0
R3	200	7.9	200	7.9	0	0
R5	200	7.9	300	11.8	0	0
R6	200	7.9	300	11.8	0	0
R7	200	7.9	300	11.8	0	0
R8	200	7.9	300	11.8	0	0
R9	200	7.9	300	11.8	0	0

3AXD00000586715.xls F

¹⁾ Free space below is measured from the fan, not from the cable entry box used in frames R5...R9.

- horizontally alone.



Frame size	Horizontal installation - Free space					
	Above (a)		Below (b) ¹⁾		Side (c)	
	mm	in	mm	in	mm	in
R0	TBA	TBA	TBA	TBA	TBA	TBA
R1	TBA	TBA	TBA	TBA	TBA	TBA
R2	TBA	TBA	TBA	TBA	TBA	TBA
R3	TBA	TBA	TBA	TBA	TBA	TBA
R5	TBA	TBA	TBA	TBA	TBA	TBA
R6	TBA	TBA	TBA	TBA	TBA	TBA
R7	TBA	TBA	TBA	TBA	TBA	TBA
R8	TBA	TBA	TBA	TBA	TBA	TBA
R9	TBA	TBA	TBA	TBA	TBA	TBA

3AXD00000586715.xls F

¹⁾ Free space below is measured from the fan, not from the cable entry box used in frames R5...R9.

Check the installation site according to the requirements below:

- The installation site is sufficiently ventilated or cooled to transfer away the drive losses. See section [Losses, cooling data and noise](#) on page 140.
- The operation conditions of the drive meet the specifications given in section [Ambient conditions](#) on page 152.
- The wall is as close to vertical as possible, of non-flammable material and strong enough to carry the weight of the drive, see section [Dimensions, weights and free space requirements](#) on page 138.
- The floor/material below the installation is non-flammable.
- There is enough free space above and below the drive to enable cooling air flow, service and maintenance, See the required free space tables for each of the different mounting alignments on page 38 (or page 138).



Required tools

To install the drive mechanically, you need the following tools:

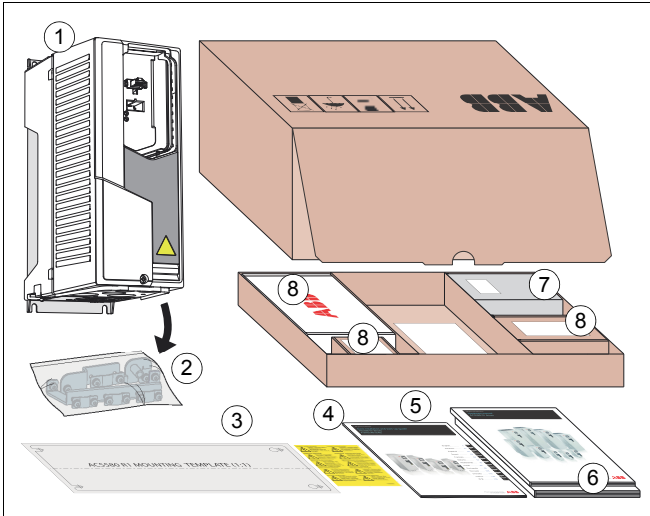
- drill with suitable bits
- screwdriver and/or wrench with a set of suitable bits (as appropriate for the installation hardware used)
- tape measure, if you will not be using the provided mounting template.


Moving the drive

Frames R5...R9: Move the transport package by pallet truck to the installation site.

Unpacking and examining delivery, frames R0...R3

The figure below shows the drive package with its contents. Examine that all items are present and there are no signs of damage. Read the data on the type designation label of the drive to make sure that the drive is of the correct type. See section [Type designation label](#) on page 33.

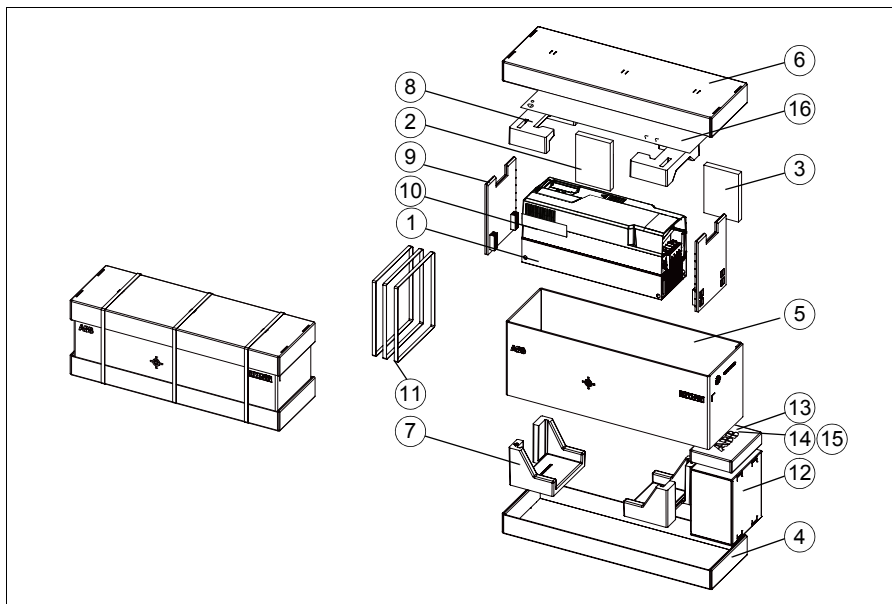


	1 Drive (frame R1 shown)
	2 Mounting accessories in plastic bag(s), under the drive cover
	3 Mounting template
	4 Multilingual residual voltage warning stickers
	5 Multilingual quick installation and start-up guide

	6 User's manual (if ordered with a plus code)
	7 Control panel selected in the order (in a separate package)
	8 Possible options in separate packages, if they have been ordered with a plus code, such as for example +K457 (FCAN-01 CANopen adapter module)

Unpacking and examining delivery, frame R5

The figure below shows the layout of the transport package. Examine that all items are present and there are no signs of damage. Read the data on the type designation label of the drive to make sure that the drive is of the correct type. See section [Type designation label](#) on page 33.



1	Drive with factory installed options.
2	Multilingual quick installation and start-up guide, multilingual residual voltage warning stickers
3	User's manual (if ordered with a plus code)
4	Cardboard tray
5	Cardboard sleeve
6	Top cardboard cover
7, 8	Cushions
9	Cardboard support

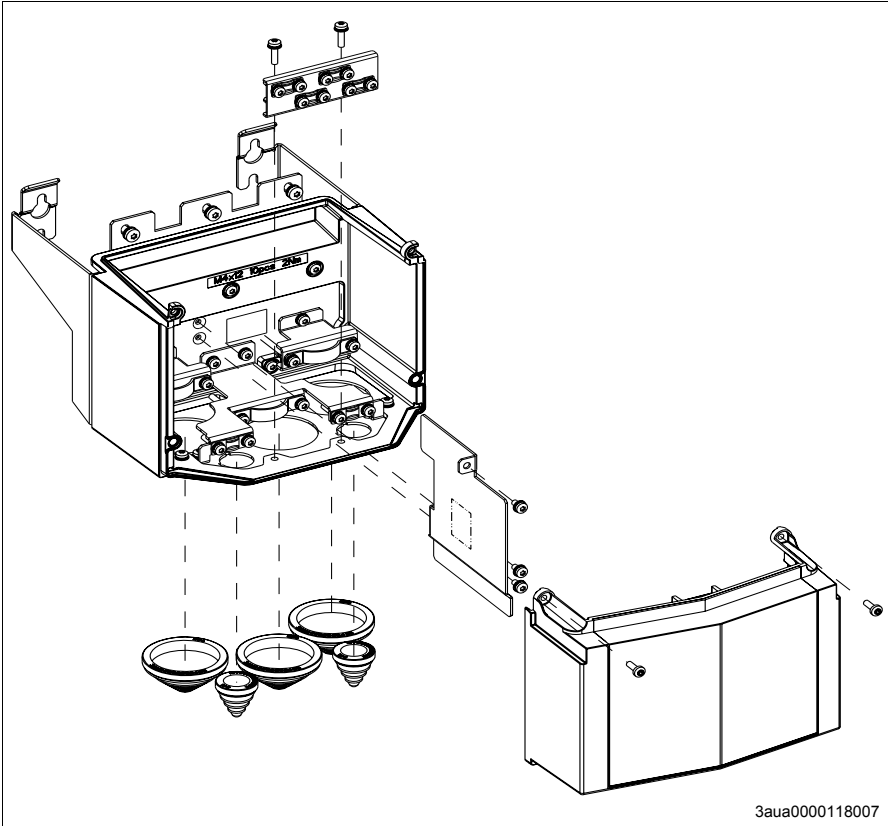
10	Support tape
11	PET straps
12	Cable entry box package
13	Option tray
14	Control panel selected in the order (in a separate package) in the option tray
15	Possible options in separate packages, if they have been ordered with a plus code, such as for example +K457 (FCAN-01 CANopen adapter module) in the option tray
16	Mounting template

To unpack:

- Cut the straps (11).
- Remove the top cardboard cover (6) and cushions (7, 8).
- Lift the cardboard sleeve (5).
- Lift the drive.

■ Frame R5 cable entry box

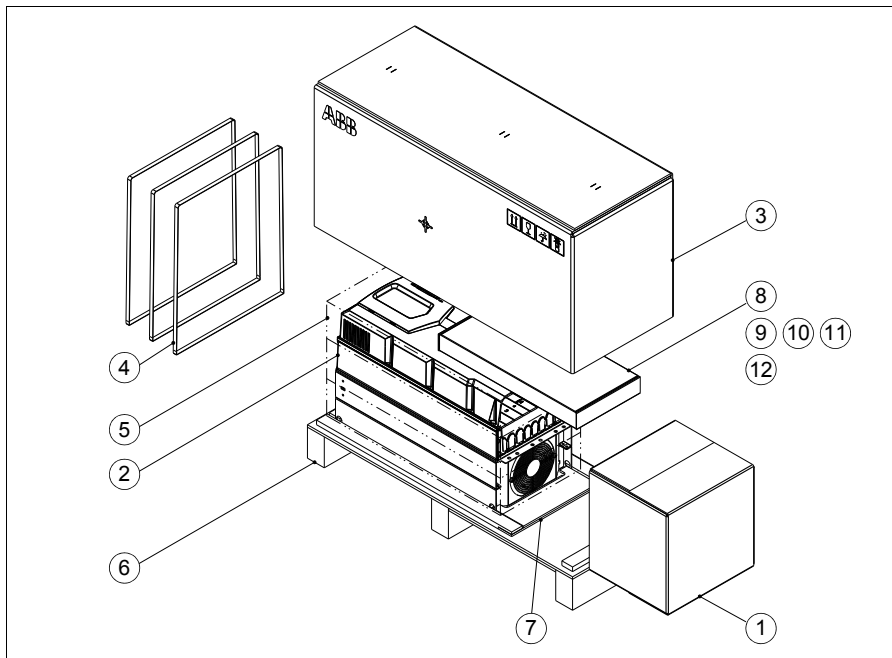
This illustration shows the contents of the cable entry box package. The package also includes an assembly drawing which shows how to install the cable entry box to the drive module frame.



3aua0000118007

Unpacking and examining delivery, frames R6...R9

The figure below shows the layout of the transport package. Examine that all items are present and there are no signs of damage. Read the data on the type designation label of the drive to make sure that the drive is of the correct type. See section [Type designation label](#) on page 33.



1	Cable entry box. Power and control cable grounding shelves in a plastic bag, assembly drawing.
2	Drive with factory installed options.
3	Cardboard box
4	Straps
5	VCI bag for protecting against corrosion
6	Pallet
7	Stopper
8	Option tray

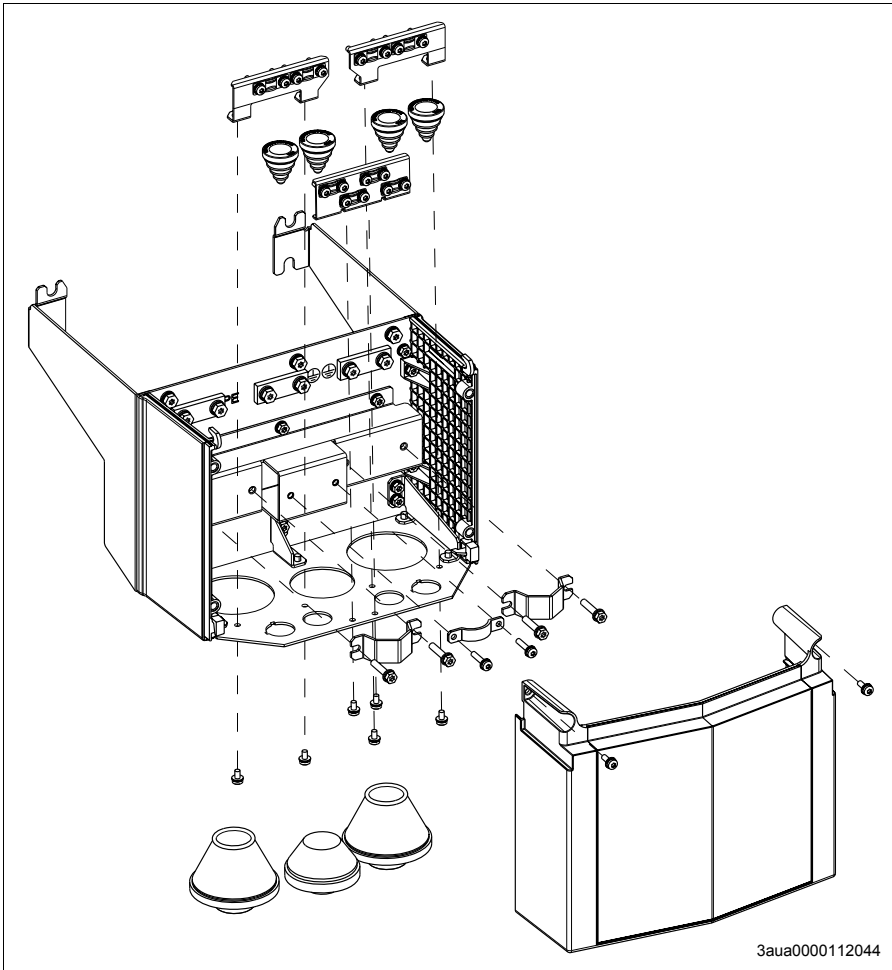
9	In the option tray <ul style="list-style-type: none"> • Multilingual quick installation and start-up guide • User's manual (if ordered with a plus code) • Multilingual residual voltage warning stickers
10	Control panel selected in the order (in a separate package) in the option tray
11	Possible options in separate packages, if they have been ordered with a plus code, such as for example +K457 (FCAN-01 CANopen adapter module) in the option tray
12	Mounting template on top of the option tray

To unpack:

- Cut the straps (4).
- Remove the cardboard box (3) and option tray (8).
- Remove the VCI bag (5).
- Attach lifting hooks to the lifting eyes of the drive (see the figure on page 37). Lift the drive with a hoist.

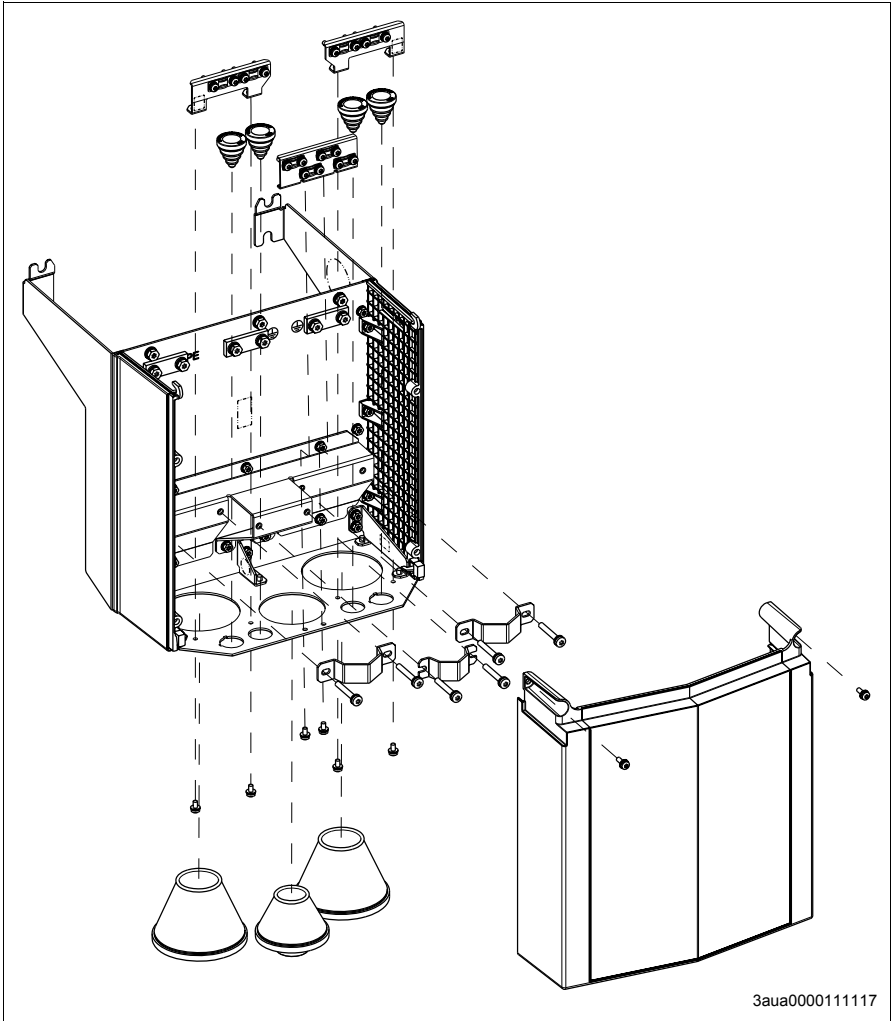
■ Frame R6 cable entry box

The figure below shows the contents of the cable entry box package. The package also includes an assembly drawing which shows how to install the cable entry box to the drive frame.



■ Frame R7 cable entry box

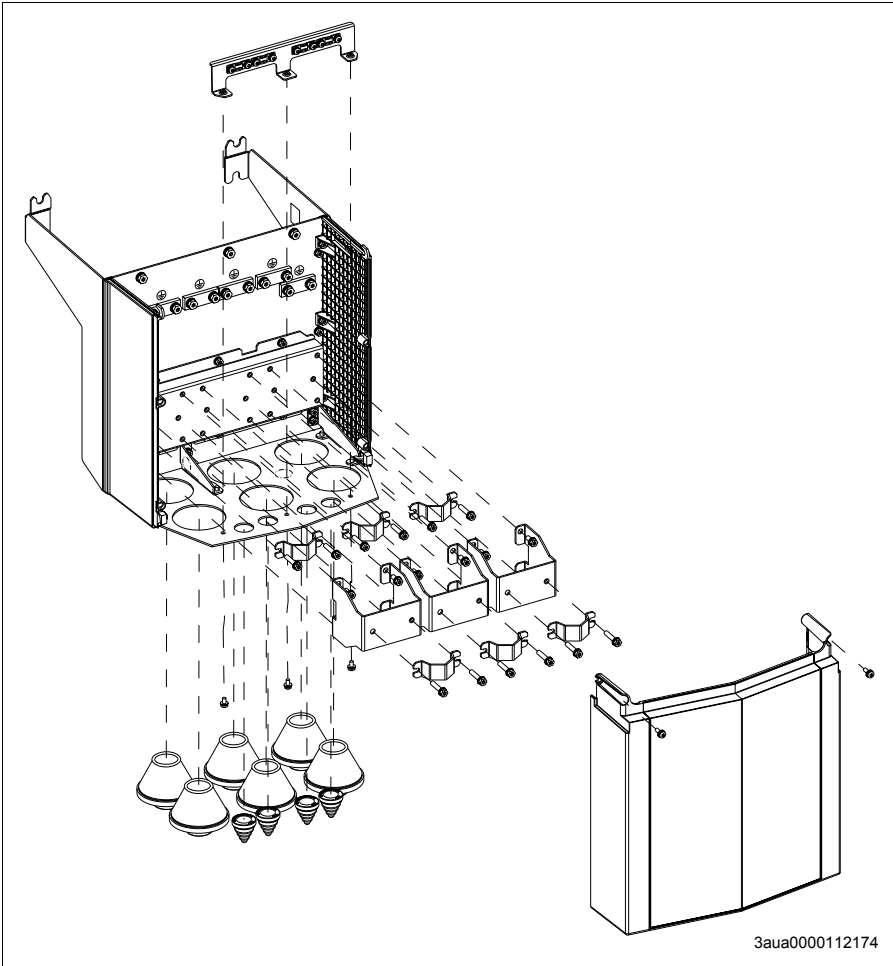
The figure below shows the contents of the cable entry box package. The package also includes an assembly drawing which shows how to install the cable entry box to the drive frame.



3aua0000111117

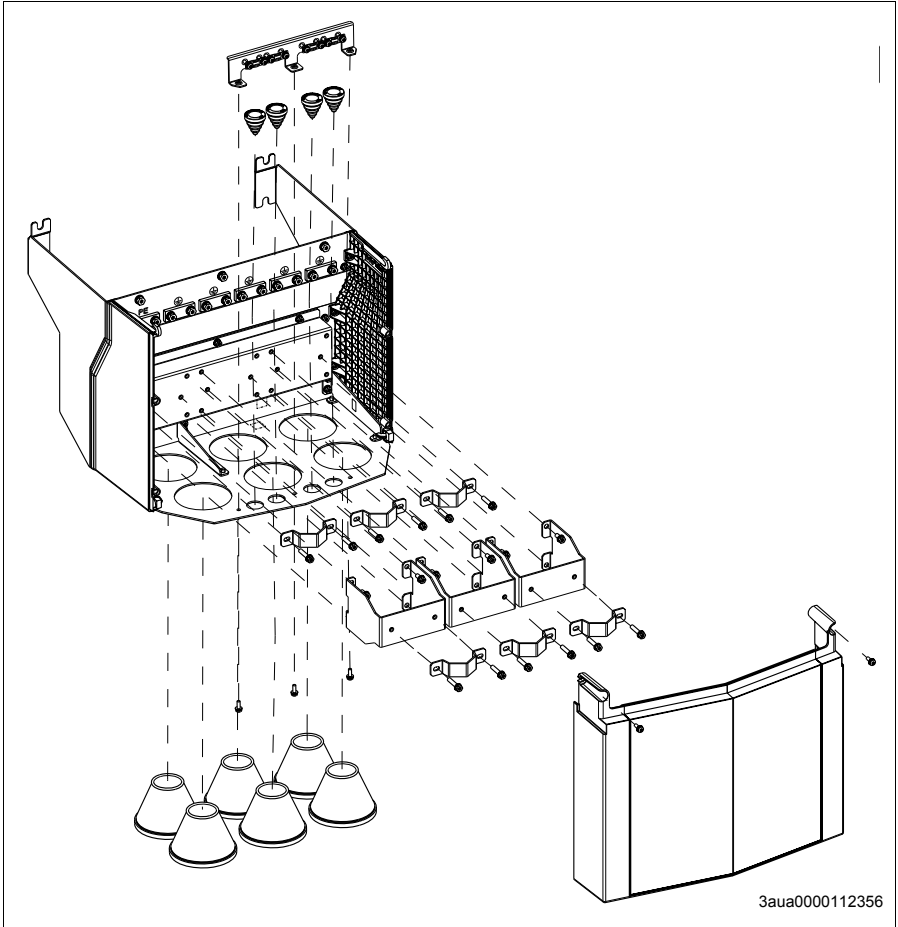
■ Frame R8 cable entry box

The figure below shows the contents of the cable entry box package. The package also includes an assembly drawing which shows how to install the cable entry box to the drive frame.



■ Frame R9 cable entry box

The figure below shows the contents of the cable entry box package. The package also includes an assembly drawing which shows how to install the cable entry box to the drive frame.

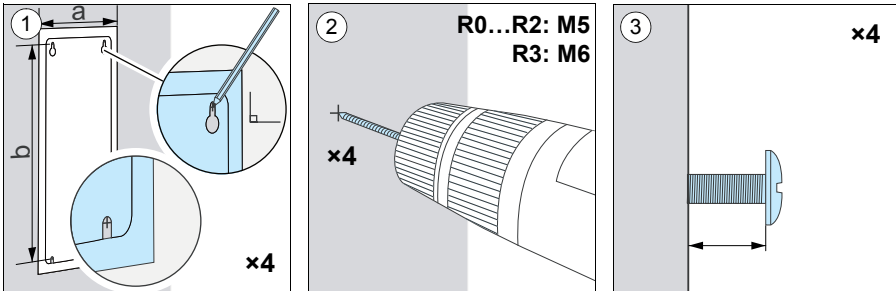


Installing the drive

■ Installing the drive vertically, frames R0...R3

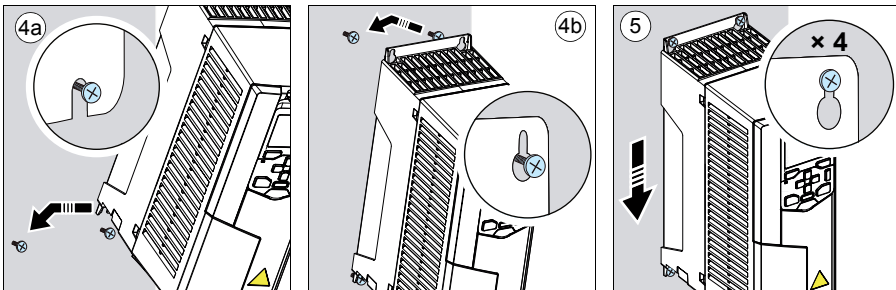
The figures show frame R0 as an example.

1. Mark the hole locations using the mounting template included in the package. Do not leave the mounting template under the drive. The drive dimensions and hole locations are also shown in the drawings in chapter [Dimension drawings](#) on page 161.
2. Drill the mounting holes.
3. Start the screws or bolts into the mounting holes.



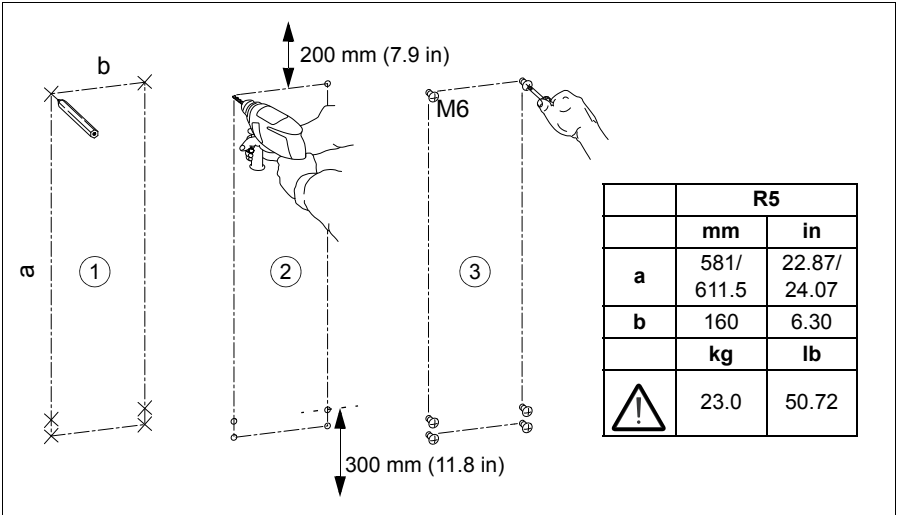
	R0		R1		R2		R3	
	mm	in	mm	in	mm	in	mm	in
a	98	3.86	98	3.86	98	3.86	160	6.30
b	317	12.48	317	12.48	417	16.42	473	18.62
Weight	kg	lb	kg	lb	kg	lb	kg	lb
	4.47	9.86	4.57	10.08	7.54	16.63	14.86	32.77

4. Position the drive onto the screws on the wall.
5. Tighten the screws in the wall securely.

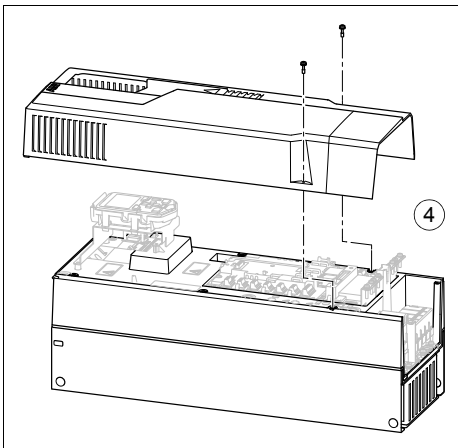


■ Installing the drive vertically, frame R5

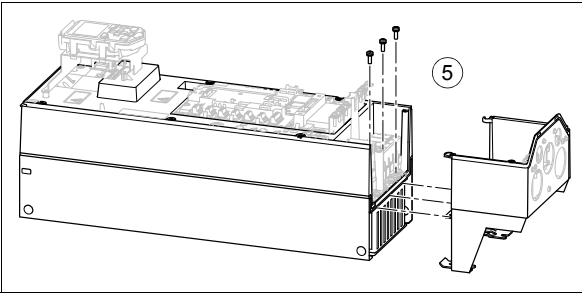
1. Mark the hole locations using the mounting template included in the package. Do not leave the mounting template under the drive. The drive dimensions and hole locations are also shown in the drawings in chapter *Dimension drawings* on page 161.
2. Drill the mounting holes.
3. Start the screws or bolts into the mounting holes.



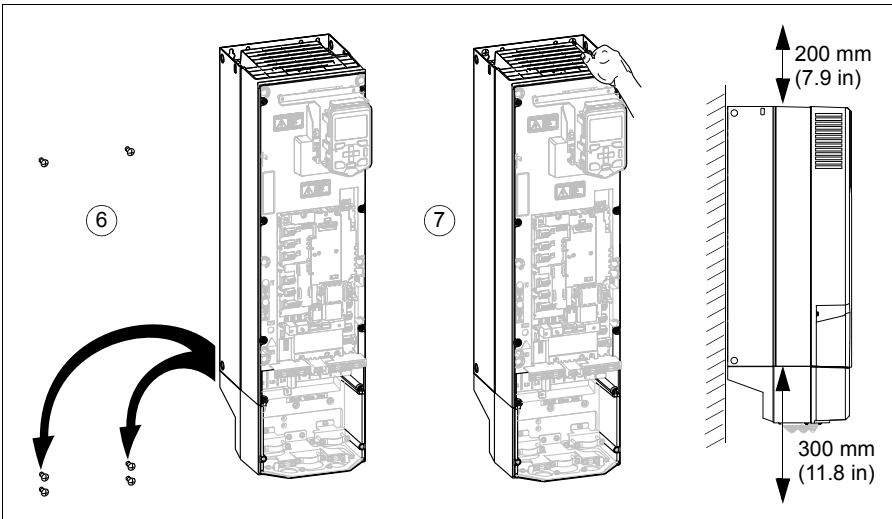
4. Remove the front cover: Remove the fastening screws, move the cover to the top side and then up.



5. Attach the cable entry box to the drive frame. Push the box up to the drive frame and tighten the box screws.



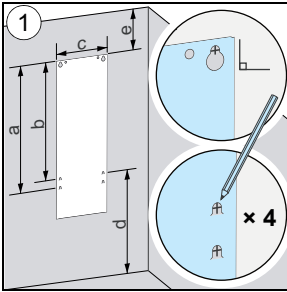
6. Position the drive (without the cover) onto the screws on the wall. Lift the drive with another person or with a lifting device as it is heavy.
7. Tighten the screws in the wall securely.



■ Installing the drive vertically, frames R6...R9

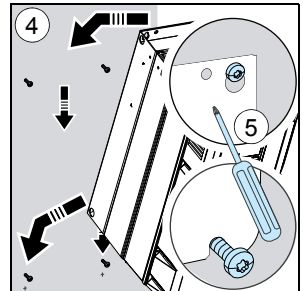
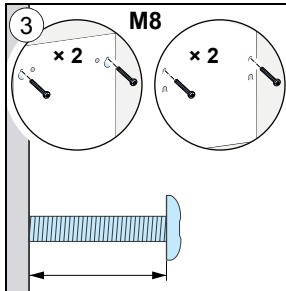
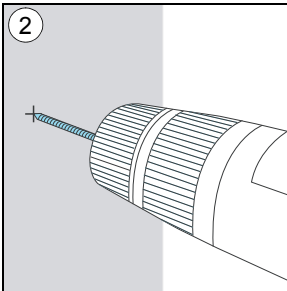
1. Mark the hole locations for the six mounting holes using the mounting template included in the package. Do not leave the mounting template under the drive.
The drive dimensions and hole locations are also shown in the drawings in chapter *Dimension drawings* on page 161.

Note: You can use only two screws instead of four to attach the lower part of the drive.

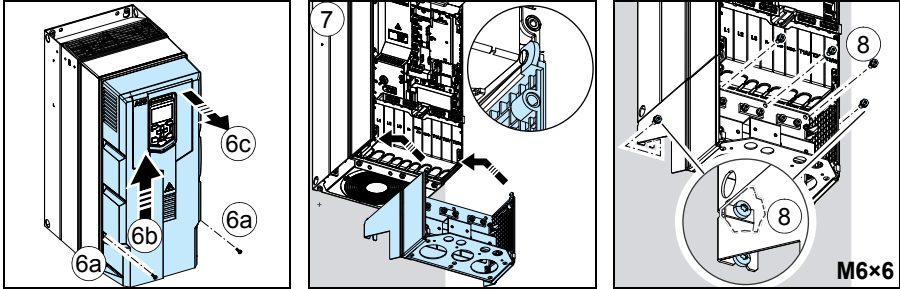


	R6		R7		R8		R9	
	mm	in	mm	in	mm	in	mm	in
a	571	22.5	623	24.5	701	27.6	718	28.3
b	531	20.9	583	22.9	658	25.9	658	25.9
c	213	8.4	245	9.7	263	10.4	345	13.6
d	300	11.8	300	11.8	300	11.8	300	11.8
e	200	7.9	200	7.9	200	7.9	200	7.9
	kg	lb	kg	lb	kg	lb	kg	lb
	45	99	55	121	70	154	98	216

2. Drill the mounting holes.
3. Start the screws or bolts into the mounting holes.
4. Position the drive onto the screws on the wall. Lift the drive with another person as it is heavy.
5. Tighten the screws in the wall securely.



6. Remove the front cover: Remove the fastening screws (a), move the cover to the top side (b) and then up (c).
7. Attach the cable entry box to the drive frame.
8. Tighten the box screws: two at the top and four at the bottom.



■ Installing the drive vertically side by side

Install the drive following the steps in the appropriate section [Installing the drive vertically, frames R0...R3](#) (page 48), [Installing the drive vertically, frame R5](#) (page 49) or [Installing the drive vertically, frames R6...R9](#) (page 51).

■ Installing the drive horizontally

Install the drive following the steps in the appropriate section [Installing the drive vertically, frames R0...R3](#) (page 48), [Installing the drive vertically, frame R5](#) (page 49) or [Installing the drive vertically, frames R6...R9](#) (page 51). The drive can be installed either the left or right side up.

Note: It is not allowed to install drives immediately on top of it each other.

Flange mounting

Instructions for flange mounting are delivered with the flange mounting kit: *Flange mounting quick guide for frames R6 to R9* (3AXD50000019099 [English]). For more information on flange mounting, see *Flange mounting supplement* (3AXD50000019100 [English]).

5

Planning the electrical installation

Contents of this chapter

This chapter contains instructions for planning the electrical installation of the drive, for example, for checking the compatibility of the motor and drive, selecting cables, protections and cable routing.

Note: The installation must always be designed and made according to applicable local laws and regulations. ABB does not assume any liability whatsoever for any installation which breaches the local laws and/or other regulations. Furthermore, if the recommendations given by ABB are not followed, the drive may experience problems that the warranty does not cover.

Selecting the supply disconnecting device

Install a hand-operated input disconnecting device between the AC power source and the drive. The disconnecting device must be of a type that can be locked to the open position for installation and maintenance work.

■ European Union

To meet the European Union Directives, according to standard EN 60204-1, *Safety of Machinery*, the disconnecting device must be one of the following types:

- switch-disconnector of utilization category AC-23B (EN 60947-3)
 - disconnector that has an auxiliary contact that in all cases causes switching devices to break the load circuit before the opening of the main contacts of the disconnector (EN 60947-3)
 - circuit breaker suitable for isolation in accordance with EN 60947-2.
-

■ Other regions

The disconnecting device must conform to the applicable local safety regulations.

Checking the compatibility of the motor and drive

Use an asynchronous AC induction motor or a permanent magnet motor with the drive. Several induction motors can be connected to the drive at a time but only one permanent magnet motor can be connected to the drive at a time.

Check that the motor and the drive are compatible according to the rating table in section *Ratings* on page 128. The table lists the typical motor power for each drive type.

Selecting the power cables

■ General rules

Select the input power and motor cables **according to local regulations**:

- The input power and the motor cables must be able to carry the corresponding load currents. See section *Ratings* (page 128) for the rated currents.
- The cable must be rated for at least 70 °C maximum permissible temperature of conductor in continuous use. For US, see *Additional US requirements* , page 57.
- The conductivity of the PE conductor must be sufficient, see the table on page 54.
- 600 V AC cable is accepted for up to 500 V AC.

To comply with the EMC requirements of the CE mark, use one of the approved cable types in section *Recommended power cable types* on page 56.

Symmetrical shielded cable reduces electromagnetic emission of the whole drive system as well as the stress on motor insulation, bearing currents and wear.

The protective conductor must always have an adequate conductivity. The table below shows the minimum cross-sectional area related to the phase conductor size according to IEC 61439-1 when the phase conductor and the protective conductor are made of the same metal.

Cross-sectional area of the phase conductors S (mm ²)	Minimum cross-sectional area of the corresponding protective conductor S_p (mm ²)
$S \leq 16$	S
$16 < S \leq 35$	16
$35 < S$	$S/2$

Note: See the IEC/EN 61800-5-1 requirement on grounding in the Note on page 16.

■ Typical power cable sizes

The table below gives copper cable types with concentric copper shield for the drives with nominal current. The value separated by the plus sign means the diameter of the PE conductor.

Drive type	Frame size	IEC ¹⁾		US	
		Cu cable type	Al cable type ²⁾	Cu cable type	Al cable type ³⁾
		mm ²	mm ²	AWG/kcmil	AWG/kcmil
3-phase $U_N = 400$ V (380...480 V)					
ACS580-01-02A6-4	R0	3×1.5 + 1.5	-	16	-
ACS580-01-03A3-4	R0	3×1.5 + 1.5	-	16	-
ACS580-01-04A0-4	R0	3×1.5 + 1.5	-	16	-
ACS580-01-05A6-4	R0	3×1.5 + 1.5	-	16	-
ACS580-01-07A2-4	R1	3×1.5 + 1.5	-	16	-
ACS580-01-09A4-4	R1	3×2.5 + 2.5	-	14	-
ACS580-01-12A6-4	R1	3×2.5 + 2.5	-	14	-
ACS580-01-017A-4	R2	3×2.5 + 2.5	-	14	-
ACS580-01-025A-4	R2	3×6 + 6	-	10	-
ACS580-01-032A-4	R3	3×10 + 10	-	8	-
ACS580-01-038A-4	R3	3×10 + 10	-	8	-
ACS580-01-045A-4	R3	3×16 + 16	-	6	-
ACS580-01-061A-4	R5	3×25 + 16	3×35	4	-
ACS580-01-072A-4	R5	3×35 + 16	3×50	2	-
ACS580-01-087A-4	R5	3×35 + 16	3×70	2	-
ACS580-01-105A-4	R6	3×50 + 25	3×70	1/0	-
ACS580-01-145A-4	R6	3×95 + 50	3×120	3/0	-
ACS580-01-169A-4	R7	3×120 + 70	3×150	250 MCM	-
ACS580-01-206A-4	R7	3×150 + 70	3×240	300 MCM	-
ACS580-01-246A-4	R8	2×(3×70+35)	2×(3×95)	2×2/0	-
ACS580-01-293A-4	R8	2×(3×95+50)	2×(3×120)	2×3/0	-
ACS580-01-363A-4	R9	2×(3×120+70)	2×(3×185)	2×250 MCM	-
ACS580-01-430A-4	R9	2×(3×150+70)	2×(3×240)	2×300 MCM	-

3AXD00000586715.xls F

¹⁾ The cable sizing is based on max. 6 cables laid on a cable ladder side by side, ambient temperature 30 °C, PVC insulation, surface temperature 70 °C (EN 60204-1 and IEC 60364-5-52/2001). For other conditions, size the cables according to local safety regulations, appropriate input voltage and the load current of the drive. See also page 141 for the accepted cable sizes of the drive.

²⁾ Aluminum cables must not be used with frames R0...R3.

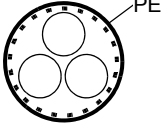
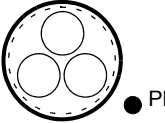
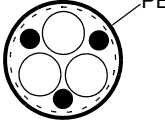
³⁾ In the USA, aluminum cables must not be used.

See also section [Terminal and lead-through data for the power cables](#) on page 141.




Alternative power cable types

The recommended and the not allowed power cable types to be used with the drive are presented below.


Recommended power cable types

	<p>Symmetrical shielded cable with three phase conductors and a concentric PE conductor as the shield. The shield must meet the requirements of IEC 61439-1, see page 54. Check with local/state/country electrical codes for allowance.</p>
	<p>Symmetrical shielded cable with three phase conductors and a concentric PE conductor as the shield. A separate PE conductor is required if the shield does not meet the requirements of IEC 61439-1, see page 54.</p>
	<p>Symmetrical shielded cable with three phase conductors and a symmetrical PE conductor, and a shield. The PE conductor must meet the requirements of IEC 61439-1, see page 54.</p>

Power cable types for limited use

	<p>A four-conductor system (three phase conductors and a protective conductor on a cable tray) is not allowed for motor cabling (it is allowed for input cabling).</p>
	<p>A four-conductor system (three phase conductors and a PE conductor in a PVC conduit) is allowed for input cabling with phase conductor cross-section less than 10 mm² (8 AWG) or motors ≤ 30 kW (40 hp). Not allowed in the USA.</p>
	<p>Corrugated or EMT cable with three phase conductors and a protective conductor is allowed for motor cabling with phase conductor cross section less than 10 mm² (8 AWG) or motors ≤ 30 kW (40 hp).</p>

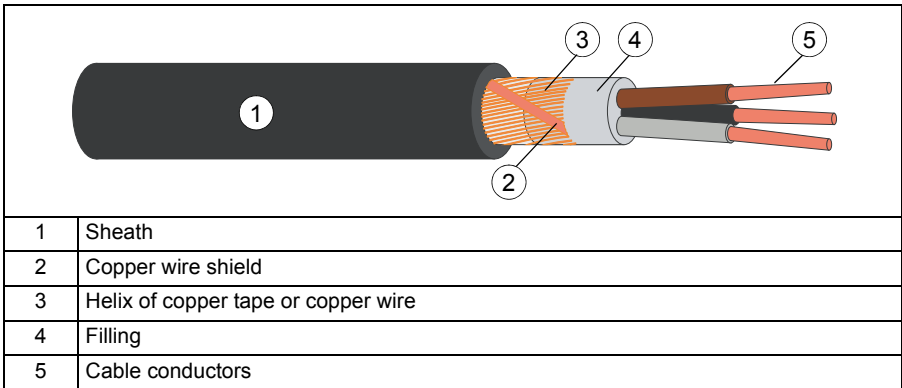
Not allowed power cable types

	<p>Symmetrical shielded cable with individual shields for each phase conductor is not allowed on any cable size for input or motor cabling.</p>
--	---

■ Motor cable shield

If the motor cable shield is used as the sole protective earth conductor of the motor, make sure that the conductivity of the shield is sufficient. See section [General rules](#) above, or IEC 61439-1.

To effectively suppress radiated and conducted radio-frequency emissions, the cable shield conductivity must be at least 1/10 of the phase conductor conductivity. The requirements are easily met with a copper or aluminum shield. The minimum requirement of the motor cable shield of the drive is shown below. It consists of a concentric layer of copper wires with an open helix of copper tape or copper wire. The better and tighter the shield, the lower the emission level and bearing currents.



■ Additional US requirements

Use type MC continuous corrugated aluminum armor cable with symmetrical grounds or shielded power cable for the motor cables if metallic conduit is not used. For the North American market, 600 V AC cable is accepted for up to 500 V AC. 1000 V AC cable is required above 500 V AC (below 600 V AC). For drives rated over 100 amperes, the power cables must be rated for 75 °C (167 °F).

Conduit

Couple separate parts of a conduit together: bridge the joints with a ground conductor bonded to the conduit on each side of the joint. Also bond the conduits to the drive enclosure and motor frame. Use separate conduits for input power, motor, brake resistor, and control wiring. When conduit is employed, type MC continuous corrugated aluminum armor cable or shielded cable is not required. A dedicated ground cable is always required.

Note: Do not run motor wiring from more than one drive in the same conduit.

Armored cable / shielded power cable

Six-conductor (three phases and three ground) type MC continuous corrugated aluminum armor cable with symmetrical grounds is available from the following suppliers (trade names in parentheses):

- Anixter Wire & Cable (Philsheath)
- BICC General Corp (Philsheath)
- Rockbestos Co. (Gardex)
- Oaknite (CLX).

Shielded power cables are available from the following suppliers:

- Belden
- LAPPKABEL (ÖLFLEX)
- Pirelli.

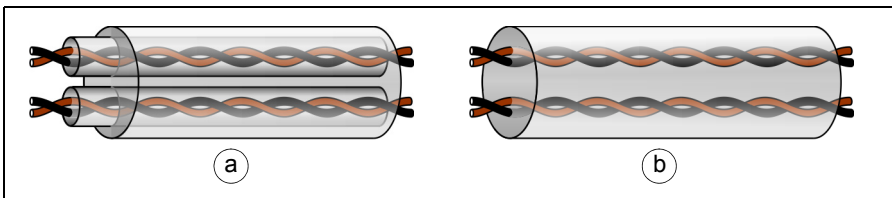
Selecting the control cables

Shielding

All control cables must be shielded.

Use a double-shielded twisted pair cable (figure a below) for analog signals. Employ one individually shielded pair for each signal. Do not use common return for different analog signals.

A double-shielded cable is the best alternative for low-voltage digital signals but single-shielded (b) twisted pair cable is also acceptable.



Signals in separate cables

Run analog and digital signals in separate, shielded cables.

Do not mix 24 V AC/DC and 115/230 V AC signals in the same cable.

Signals allowed to be run in the same cable

Relay-controlled signals, providing their voltage does not exceed 48 V, can be run in the same cables as digital input signals. The relay-controlled signals should be run as twisted pairs.

■ Relay cable

The cable type with braided metallic screen (for example ÖLFLEX by LAPPKABEL, Germany) has been tested and approved by ABB.

■ Control panel cable

In remote use, the cable connecting the control panel to the drive must not exceed 100 m (330 ft). If multiple panels or drives are connected, the total length of the panel bus must not exceed 100 m (330 ft).

The cable type tested and approved by ABB is used in control panel option kits. Suitable cables are CAT 5e unshielded or shielded twisted pair cables.

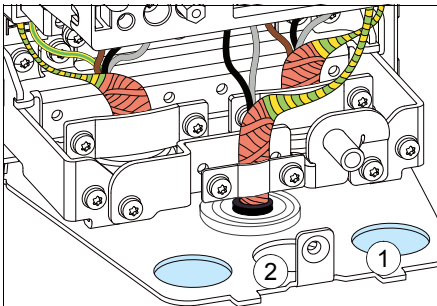
■ Drive composer PC tool cable

Connect the Drive composer PC tool to the drive through the USB port of the control panel. Use a USB type A (PC) - type B (control panel) cable. The maximum length of the cable is 3 m (9.8 ft).

■ FPBA-01 PROFIBUS DP adapter module connectors

Frames R0...R3: The following connector types have been tested to fit in the tight space for option slot 1.

- Phoenix Contact SUBCON-PLUS-PROFIB/PG/SC2, part number 2708245. Lead the cable through the control cable hole on the right in the lead-through plate (1).
- Siemens, part number 6GK1 500 0EA02. Lead the cable through the middle control cable hole in the lead-through plate (2).



Routing the cables

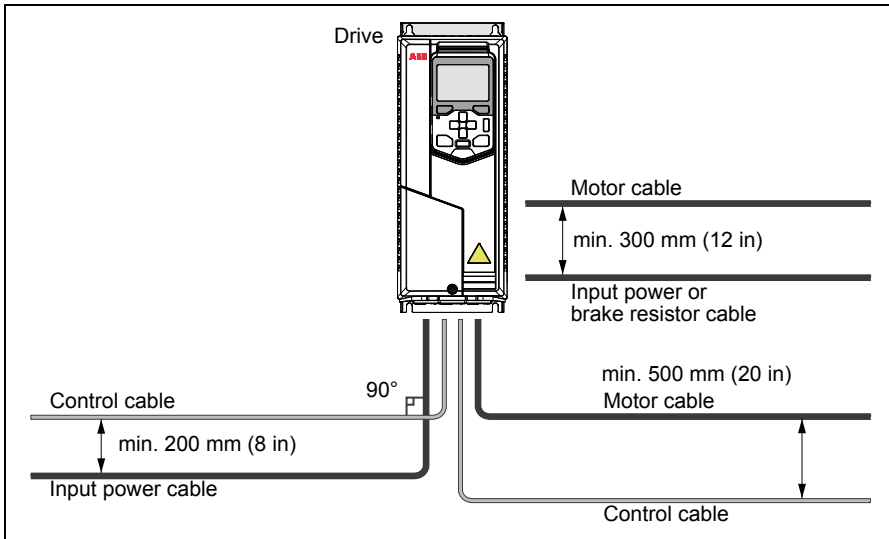
■ General rules

Route the motor cable away from other cable routes. Motor cables of several drives can be run in parallel installed next to each other. The motor cable, input power cable and control cables should be installed on separate trays. Avoid long parallel runs of motor cables with other cables in order to decrease electromagnetic interference caused by the rapid changes in the drive output voltage.

Where control cables must cross power cables, make sure they are arranged at an angle as near to 90 degrees as possible. Do not run extra cables through the drive.

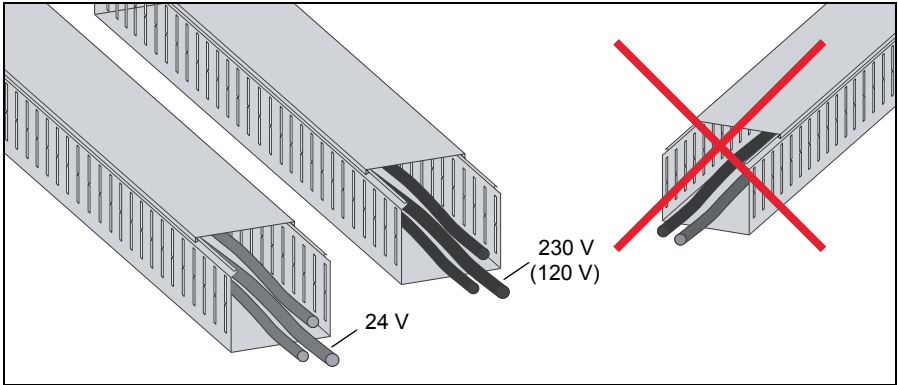
The cable trays must have good electrical bonding to each other and to the grounding electrodes. Aluminum tray systems can be used to improve local equalizing of potential.

A diagram of the cable routing is shown below.



■ Separate control cable ducts

Lead 24 V and 230 V (120 V) control cables in separate ducts unless the 24 V cable is insulated for 230 V (120 V) or insulated with an insulation sleeving for 230 V (120 V).



■ Continuous motor cable shield or enclosure for equipment on the motor cable

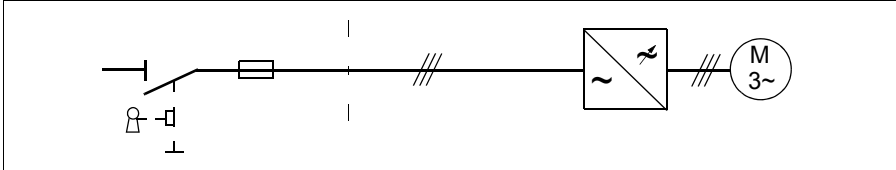
To minimize the emission level when safety switches, contactors, connection boxes or similar equipment are installed on the motor cable between the drive and the motor:

- European Union: Install the equipment in a metal enclosure with 360 degree grounding for the shields of both the incoming and outgoing cable, or connect the shields of the cables otherwise together.
- US: Install the equipment in a metal enclosure in a way that the conduit or motor cable shielding runs consistently without breaks from the drive to the motor.

Implementing thermal overload and short-circuit protection

■ Protecting the drive and input power cable in short-circuits

Protect the drive and input cable with fuses as follows:



Size the fuses at the distribution board according to instructions given in chapter [Technical data](#) on page 127. The fuses will protect the input cable in short-circuit situations, restrict drive damage and prevent damage to adjoining equipment in case of a short-circuit inside the drive.

Note: If you want to use circuit breakers, contact ABB for more information.

■ Protecting the motor and motor cable in short-circuits

The drive protects the motor cable and motor in a short-circuit situation when the motor cable is sized according to the nominal current of the drive. No additional protection devices are needed.

■ Protecting the drive and the input power and motor cables against thermal overload

The drive protects itself and the input and motor cables against thermal overload when the cables are sized according to the nominal current of the drive. No additional thermal protection devices are needed.



WARNING! If the drive is connected to multiple motors, use a separate circuit breaker or fuses for protecting each motor cable and motor against overload. The drive overload protection is tuned for the total motor load. It may not trip due to an overload in one motor circuit only

■ Protecting the motor against thermal overload

According to regulations, the motor must be protected against thermal overload and the current must be switched off when overload is detected. The drive includes a motor thermal protection function that protects the motor and switches off the current when necessary. Depending on a drive parameter value, the function either monitors a calculated temperature value (based on a motor thermal model) or an actual temperature indication given by motor temperature sensors. The user can tune the thermal model further by feeding in additional motor and load data.

The most common temperature sensors are:

- motor sizes IEC180...225: thermal switch, eg, Klixon
- motor sizes IEC200...250 and larger: PTC or Pt100.

For more information, see *ACS580 firmware manual* (3AXD50000016097 [English]).

Protecting the drive against ground faults

The drive is equipped with an internal ground fault protective function to protect the unit against ground faults in the motor and motor cable. This is not a personnel safety or a fire protection feature. The ground fault protective function can be reduced with a parameter 31.20 Earth fault.


■ Residual current device compatibility

The drive is suitable to be used with residual current devices of Type B.

Note: The EMC filter of the drive includes capacitors connected between the main circuit and the frame. These capacitors and long motor cables increase the ground leakage current and may cause fault current circuit breakers to function.

Implementing the Emergency stop function

For safety reasons, install the emergency stop devices at each operator control station and at other operating stations where emergency stop may be needed. Design the emergency stop according to relevant standards.

Note: Pressing the stop key  on the control panel of the drive does not generate an emergency stop of the motor or separate the drive from dangerous potential.

Implementing the Safe torque off function

See chapter [Safe torque off function](#) on page 187.

Implementing the Power-loss ride-through function

See *ACS580 firmware manual* (3AXD50000016097 [English]).

Using a safety switch between the drive and the motor

It is recommended to install a safety switch between the permanent magnet motor and the drive output. This is needed to isolate the motor from the drive during maintenance work on the drive.

Using a contactor between the drive and the motor

Implementing the control of the output contactor depends on how you select the drive to operate. See also section [Implementing a bypass connection](#) on page 65.

When you have selected to use

- Vector control mode and motor ramp stop,

open the contactor as follows:

1. Give a stop command to the drive.
1. Wait until the drive decelerates the motor to zero speed.
2. Open the contactor.

When you have selected to use

- Vector control mode and motor coast stop; or scalar control mode,

open the contactor as follows:

1. Give a stop command to the drive.
2. Open the contactor.



WARNING! When the Vector control mode is in use, never open the output contactor while the drive controls the motor. The vector control operate extremely fast, much faster than it takes for the contactor to open its contacts. When the contactor starts opening while the drive controls the motor, the vector control will try to maintain the load current by immediately increasing the drive output voltage to the maximum. This will damage, or even burn the contactor completely.

Implementing a bypass connection

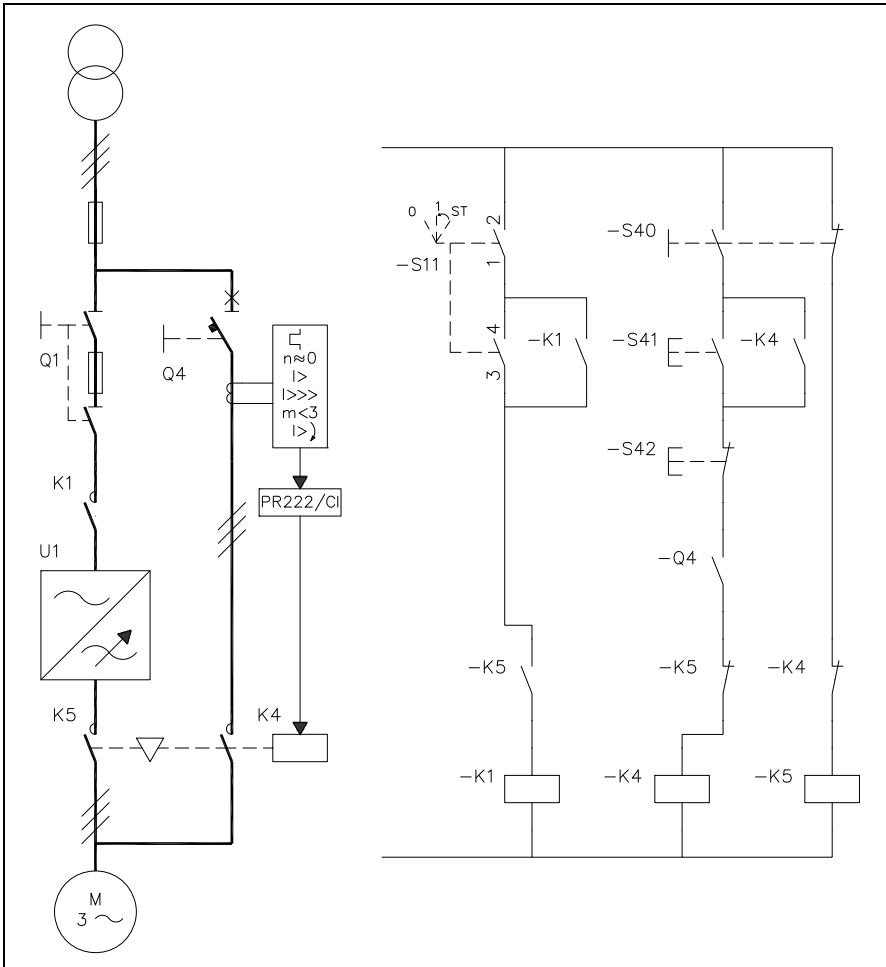
If frequent bypassing is required, employ mechanically or electrically interlocked contactors between the motor and the drive and between the motor and the power line. Make sure with interlocking that the contactors cannot be closed simultaneously.



WARNING! Never connect the drive output to the electrical power network. The connection may damage the drive.

■ Example bypass connection

An example bypass connection is shown below.



Q1	Drive main switch	S11	Drive main contactor on/off control
Q4	Bypass circuit breaker	S40	Motor power supply selection (drive or direct-on-line)
K1	Drive main contactor	S41	Start when motor is connected direct-on-line
K4	Bypass contactor	S42	Stop when motor is connected direct-on-line
K5	Drive output contactor		

Switching the motor power supply from drive to direct-on-line

1. Stop the drive and the motor with the drive control panel (drive in local control mode) or with the external stop signal (drive in remote control mode).
2. Open the main contactor of the drive with S11.
3. Switch the motor power supply from the drive to direct-on-line with S40.
4. Wait for 10 seconds to allow the motor magnetization to die away.
5. Start the motor with S41.

Switching the motor power supply from direct-on-line to drive

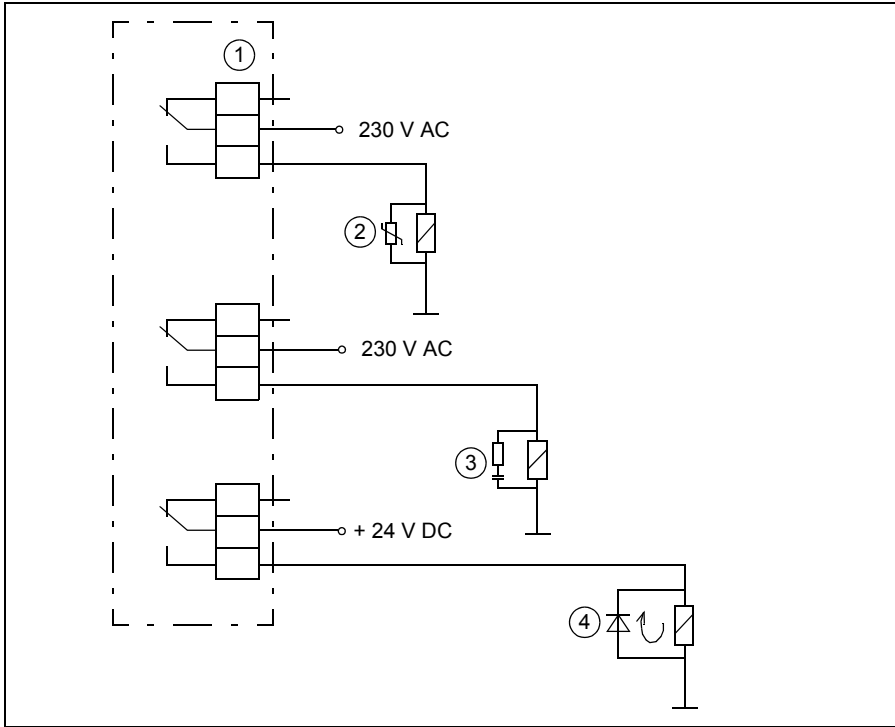
1. Stop the motor with S42.
2. Switch the motor power supply from direct-on-line to the drive with S40.
3. Close the main contactor of the drive with switch S11 (-> turn to position ST for two seconds and leave at position 1).
4. Start the drive and the motor with the drive control panel (drive in local control mode) or with the external start signal (drive in remote control mode).

Protecting the contacts of relay outputs

Inductive loads (relays, contactors, motors) cause voltage transients when switched off.

It is highly recommended that inductive loads are equipped with noise attenuating circuits (varistors, RC filters [AC] or diodes [DC]) in order to minimize the EMC emission at switch-off. If not suppressed, the disturbances may connect capacitively or inductively to other conductors in the control cable and form a risk of malfunction in other parts of the system.

Install the protective component as close to the inductive load as possible. Do not install protective components at the relay outputs.



1	Relay outputs
2	Varistor
3	RC filter
4	Diode

Limiting relay output maximum voltages at high installation altitudes

See sections *Isolation areas, R0...R3 (CCU-11)*: on page 148 and *Isolation areas, R5...R9 (CCU-12)*: on page 149.

6

Electrical installation

Contents of this chapter

The chapter describes how to check the insulation of the assembly and the compatibility with IT (ungrounded) and corner-grounded TN systems. It then shows how to connect the power and control cables, install optional modules and connect a PC.

Warnings



WARNING! Obey the instructions in chapter [Safety instructions](#) on page 11. If you ignore them, injury or death, or damage to the equipment can occur.

Make sure that the drive is disconnected from the input power during installation. If the drive is already connected to the input power, wait for 5 minutes after disconnecting the input power.

Required tools

To perform the electrical installation, you need the following tools:

- wire stripper
 - screwdriver and/or wrench with a set of suitable bits.
-

Checking the insulation of the assembly

■ Drive

Do not make any voltage tolerance or insulation resistance tests on any part of the drive as testing can damage the drive. Every drive has been tested for insulation between the main circuit and the chassis at the factory. Also, there are voltage-limiting circuits inside the drive which cut down the testing voltage automatically.

■ Input power cable

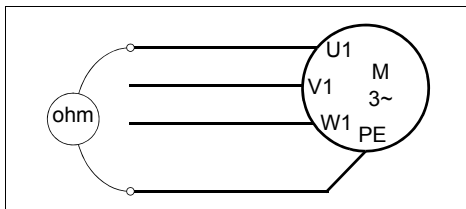
Check the insulation of the input cable according to local regulations before connecting it to the drive.

■ Motor and motor cable

Check the insulation of the motor and motor cable as follows:

1. Check that the motor cable is disconnected from the drive output terminals T1/U, T2/V and T3/W.
2. Measure the insulation resistance between the phase conductors and between each phase conductor and the Protective Earth conductor. Use a measuring voltage of 1000 V DC. The insulation resistance of an ABB motor must exceed 100 Mohm (reference value at 25 °C or 77 °F). For the insulation resistance of other motors, please consult the manufacturer's instructions.

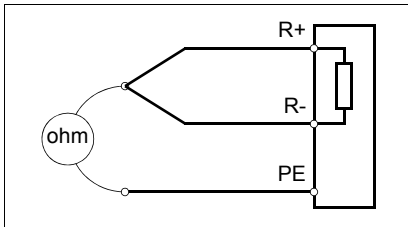
Note: Moisture inside the motor casing will reduce the insulation resistance. If moisture is suspected, dry the motor and repeat the measurement.



■ Brake resistor assembly

Check the insulation of the brake resistor assembly (if present) as follows:

1. Check that the resistor cable is connected to the resistor, and disconnected from the drive output terminals R+ and R-.
2. At the drive end, connect the R+ and R- conductors of the resistor cable together. Measure the insulation resistance between the combined conductors and the PE conductor by using a measuring voltage of 1 kV DC. The insulation resistance must be higher than 1 Mohm.



Checking the compatibility with IT (ungrounded) and corner-grounded TN systems

The internal EMC filter is not suitable for use on an IT (ungrounded) system or on a corner-grounded TN system. Disconnect the EMC filter before connecting the drive to the supply network. For instructions on how to do this, see page 72.



WARNING! Do not install the drive with the internal EMC filter connected on an IT system (an ungrounded power system or a high-resistance-grounded [over 30 ohms] power system), otherwise the system will be connected to ground potential through the EMC filter capacitors of the drive. This can cause danger, or damage the drive.

Do not install the drive with the internal EMC filter connected on a corner-grounded TN system, otherwise the drive will be damaged.

Note: When the internal EMC filter is disconnected, the drive EMC compatibility is considerably reduced. See section [EMC compatibility and motor cable length](#) on page 145.

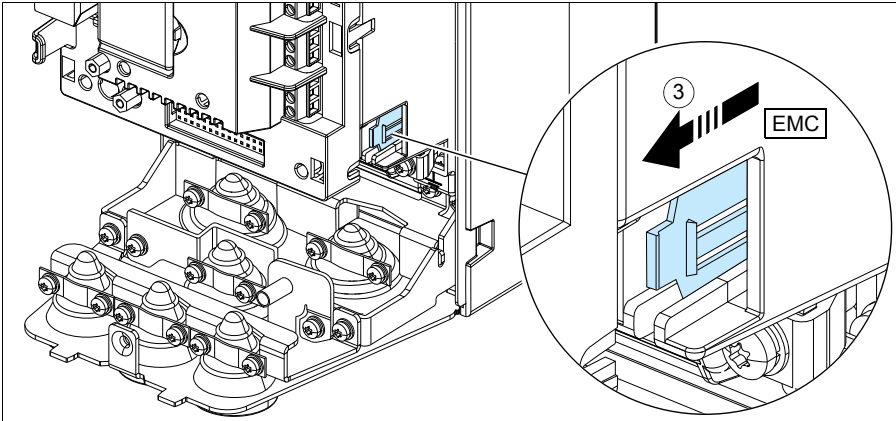
■ Frames R0...R3

If you have an IT (ungrounded) or corner-grounded TN system, do as follows:

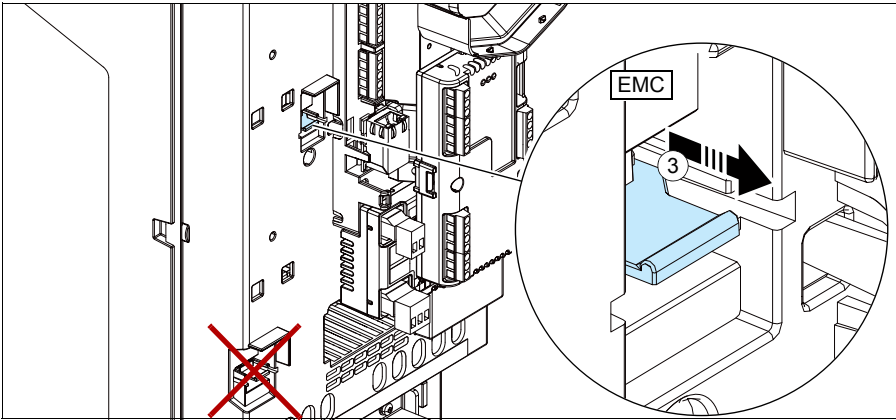
1. Switch off the power from the drive.
2. Open the front cover, if not already opened, see page 75.
3. Disconnect the internal EMC filter by sliding the EMC switch in the direction shown by the arrow.

Pay attention to the switches! Do not confuse the EMC switch to the similar varistor disconnecting switch. Do not disconnect the varistor. The varistor protects the drive against power line voltage peaks.

R0...R2



R3

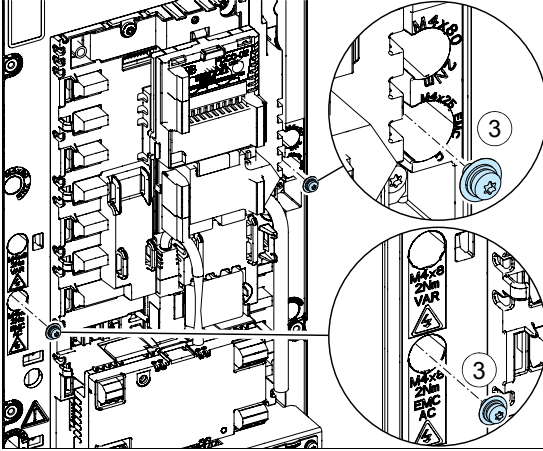


■ Frames R5...R9

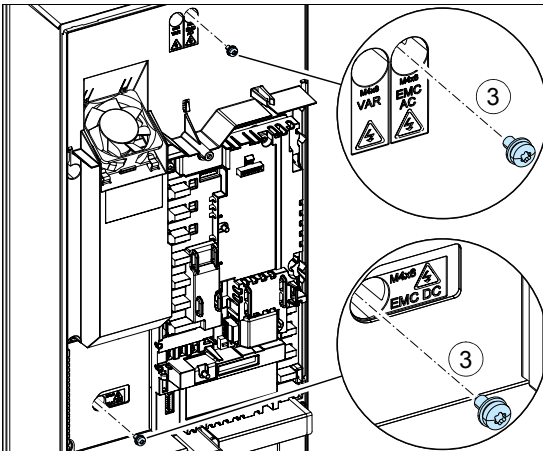
If you have an IT (ungrounded) or corner-grounded TN system, do as follows:

1. Switch off the power from the drive.
2. Open the cover, if not already opened. Frame R5: see page 49, frames R6...R9: see page 52.
3. Disconnect the internal EMC filter by removing the two EMC screws.

R5

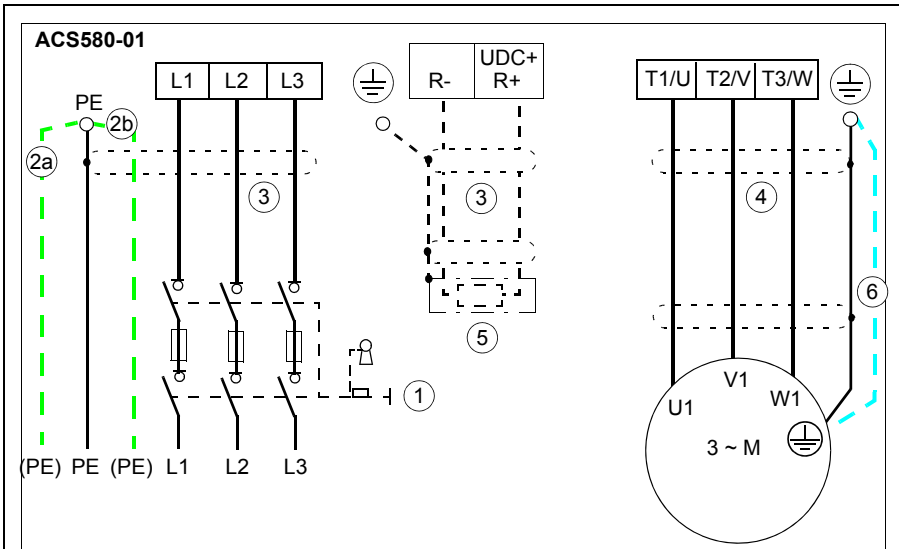


R6...R9



Connecting the power cables

■ Connection diagram



1	For alternatives, see section Selecting the supply disconnecting device on page 53.
2	Use a separate grounding PE cable (2a) or a cable with a separate PE conductor (2b) if the conductivity of the shield does not meet the requirements for the PE conductor (see page 54).
3	360-degree grounding is recommended if shielded cable is used. Ground the other end of the input cable shield or PE conductor at the distribution board.
4	360-degree grounding is required.
5	External brake resistor
6	Use a separate grounding cable if the shield does not meet the requirements of IEC 61439-1 (see page 54) and there is no symmetrically constructed grounding conductor in the cable (see page 57).

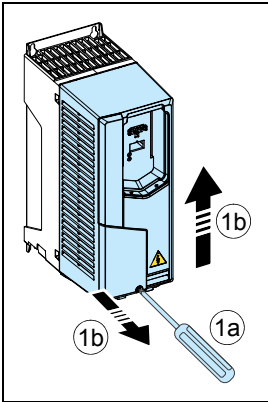
Note:

If there is a symmetrically constructed grounding conductor on the motor cable in addition to the conductive shield, connect the grounding conductor to the grounding terminal at the drive and motor ends.

Do not use an asymmetrically constructed motor cable for motors above 30 kW (see page 54). Connecting its fourth conductor at the motor end increases bearing currents and causes extra wear.

■ Connection procedure, frames R0...R3

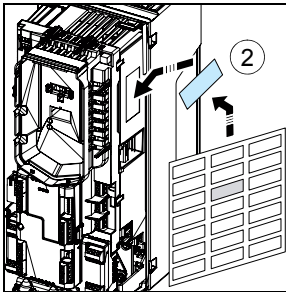
1. Remove the front cover: Loosen the retaining screw with a screwdriver (1a) and lift the cover from the bottom outwards (1b).



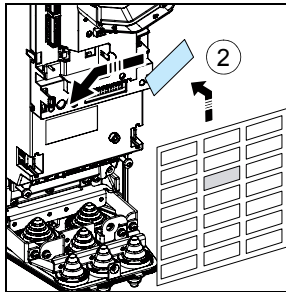
⚠ WARNING! If the drive will be connected on an IT (ungrounded) system or on a corner-grounded TN system, make sure you have disconnected the EMC filter. See page 71.

2. Attach the residual voltage warning sticker in the local language.

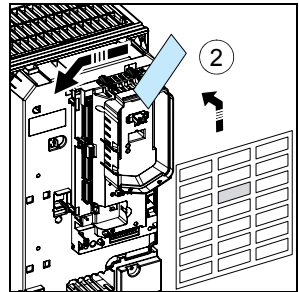
R0...R1



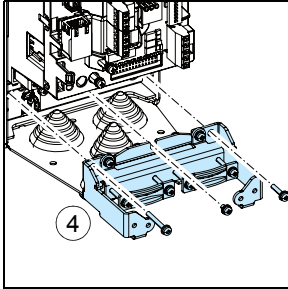
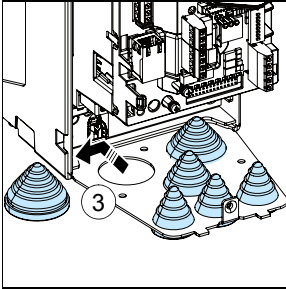
R2



R3

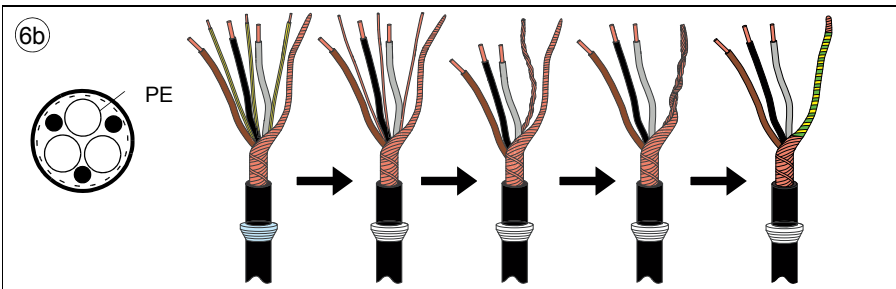
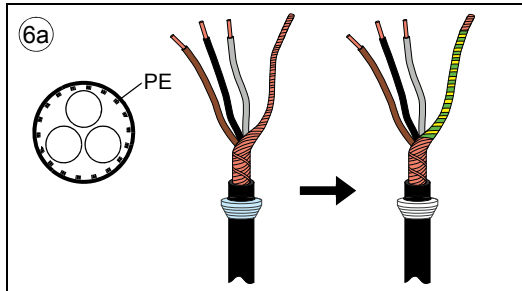
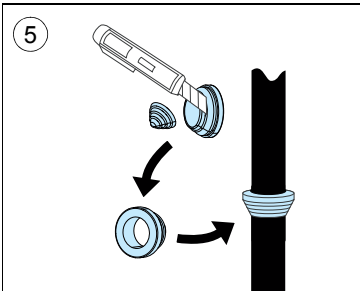


3. Remove the rubber grommets from the lead-through plate.
4. Frames R0...R2, optional: It is possible to temporarily remove the power cable grounding shelf at this point to make it easier to connect the power cable conductors and twisted shields in a tight space. The grounding shelf must be reinstated before grounding the stripped parts of the power cables 360 degrees.

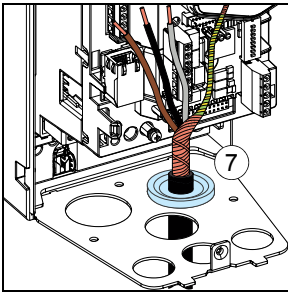


Motor cable

5. Cut an adequate hole into the rubber grommet. Slide the grommet onto the cable.
6. Prepare the ends of the cable as illustrated in the figure. If you use aluminum cables, put grease to the peeled aluminum cable before connecting it to the drive. Two different motor cable types are shown in the figures (6a, 6b). **Note:** The bare shield will be grounded 360 degrees.



- Slide the cable through the hole of the lead-through plate and attach the grommet to the hole.

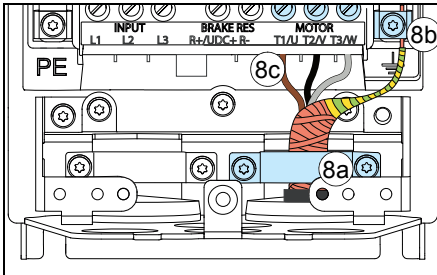


- Connect the motor cable:

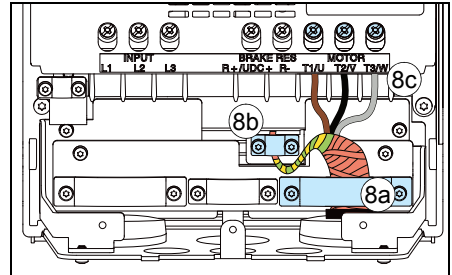
If you temporarily removed the power cable grounding shelf in step 4, connect the motor and input power cables except the 360 degree grounding, and then reinstall the grounding shelf. **Note:** The screws are of different length; find out where each of them is used in the figure at step 4. After reinstalling the grounding shelf, you can make the 360 degree grounding for the cables.

- Ground the shield 360 degrees by tightening the clamp of the power cable grounding shelf onto the stripped part of the cable. (8a)
- Connect the twisted shield of the cable to the grounding terminal. (8b)
- Connect the phase conductors of the cable to the T1/U, T2/V and T3/W terminals. Tighten the screws to the torque given below the figure. (8c).

R0...R2



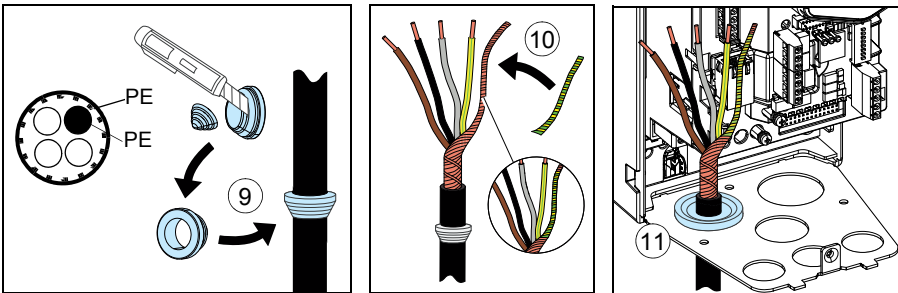
R3



Frame size	R0...R1		R2		R3	
	N-m	lbf-ft	N-m	lbf-ft	N-m	lbf-ft
L1, L2, L3, T1/U, T2/V, T3/W, R+, R-	0.5...0.6	0.4	1.2...1.5	0.9...1.1	2.5...4.5	1.8...3.3

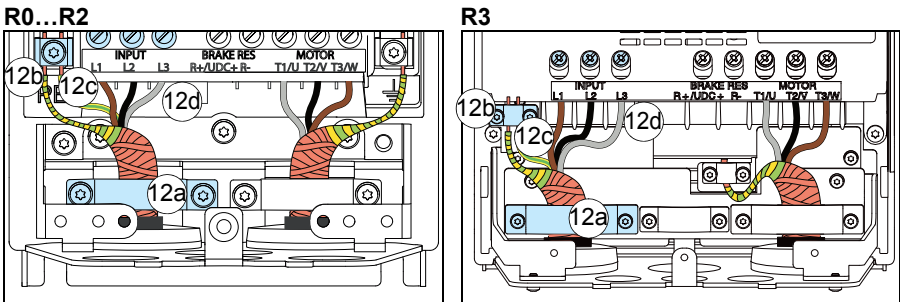
Input power cable

9. Cut an adequate hole into the rubber grommet. Slide the grommet onto the cable.
10. Prepare the ends of the cable as illustrated in the figure. If you use aluminum cables, put grease to the peeled aluminum cable before connecting it to the drive.
Note: The bare shield will be grounded 360 degrees. Mark the pigtail made from the shield as a PE conductor with yellow-and-green color.
11. Slide the cable through the hole of the lead-through plate and attach the grommet to the hole.



12. Connect the input power cable:

- Ground the shield 360 degrees by tightening the clamp of the power cable grounding shelf onto the stripped part of the cable. (12a)
- Connect the twisted shield of the cable to the grounding terminal. (12b)
- Connect the additional PE conductor (see the note on page 15 in chapter [Safety instructions](#)) of the cable (12c).
- Connect the phase conductors of the cable to the L1, L2 and L3 terminals. Tighten the screws to the torque given below the figure. (12d).

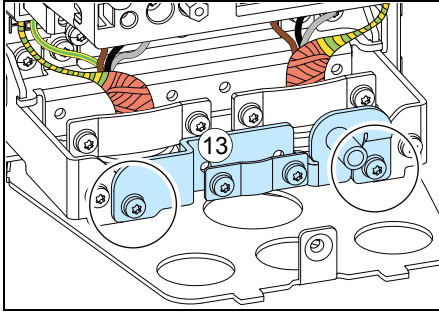


Frame size	R0...R1		R2		R3	
	N·m	lbf·ft	N·m	lbf·ft	N·m	lbf·ft
L1, L2, L3, T1/U, T2/V, T3/W, R+, R-	0.5...0.6	0.4	1.2...1.5	0.9...1.1	2.5...4.5	1.8...3.3

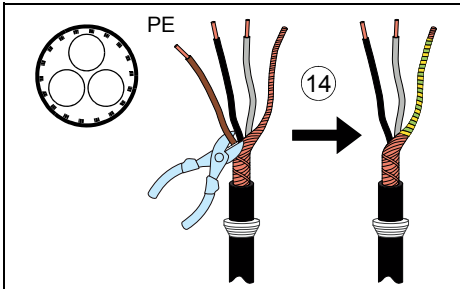
Brake resistor cable (if used)

13. Frames R0...R2: Install the grounding shelf for the brake resistor cable (included with the mounting screws in a plastic bag in the delivery) onto the grounding shelf for the power cables.

R0...R2

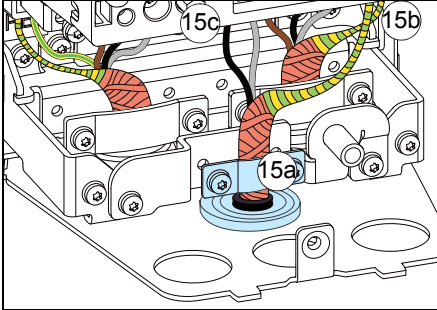


14. Repeat steps 5...7 for the brake resistor cable. Cut off one phase conductor.

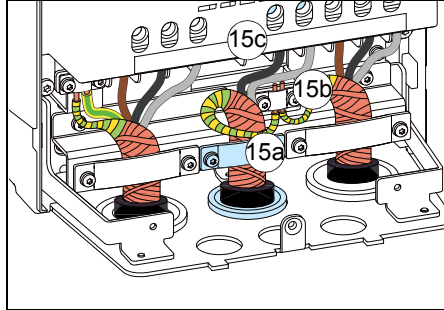


15. Connect the cable as the motor cable in step 8. Ground the shield 360 degrees (15a). Connect the twisted shield to the grounding terminal (15b) and the conductors to the R+ and R- terminals (15c) and tighten to the torque given below the figure.

R0...R2



R3



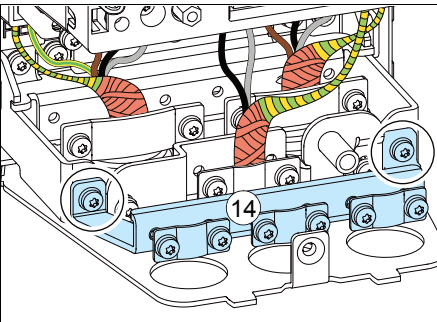
Frame size	R0...R1		R2		R3	
	N·m	lbf·ft	N·m	lbf·ft	N·m	lbf·ft
L1, L2, L3, T1/U, T2/V, T3/W, R+, R-	0.5...0.6	0.4	1.2...1.5	0.9...1.1	2.5...4.5	1.8...3.3

Finalization

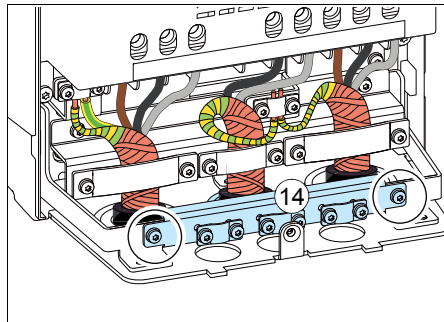
Note: Frames R0...R2: You have to install any optional I/O extension module, if used, in options slot 2 at this point. See section [Installing option modules](#) on page 104.

16. Install the grounding shelf for the control cables (included with the mounting screws in a plastic bag in the delivery) onto the grounding shelf for the power cables.

R0...R2

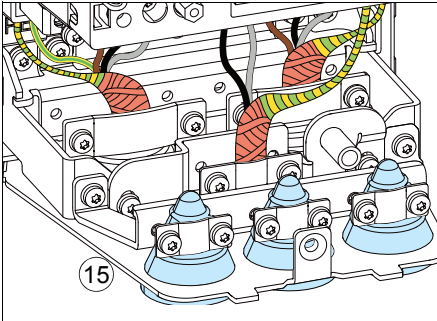


R3

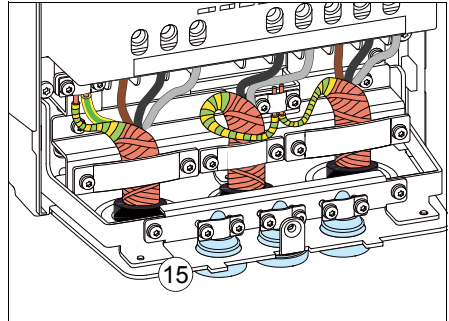


17. Put the (so far) unused rubber grommets to the holes in the lead-through plate, unless you will continue with installing the control cables.

R0...R2

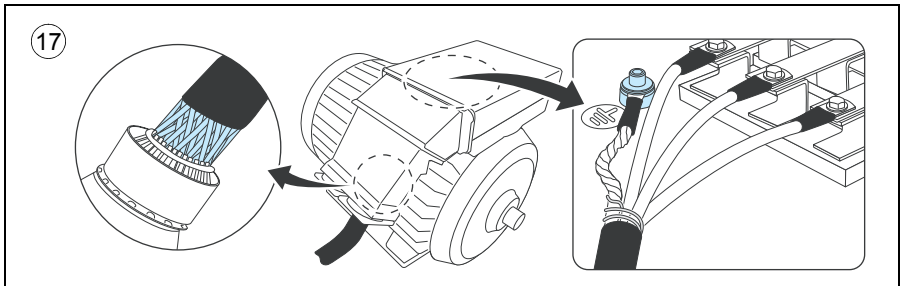


R3




18. Secure the cables outside the unit mechanically.

19. Ground the motor cable shield at the motor end. For minimum radio frequency interference, ground the motor cable shield 360 degrees at the lead-through of the motor terminal box.

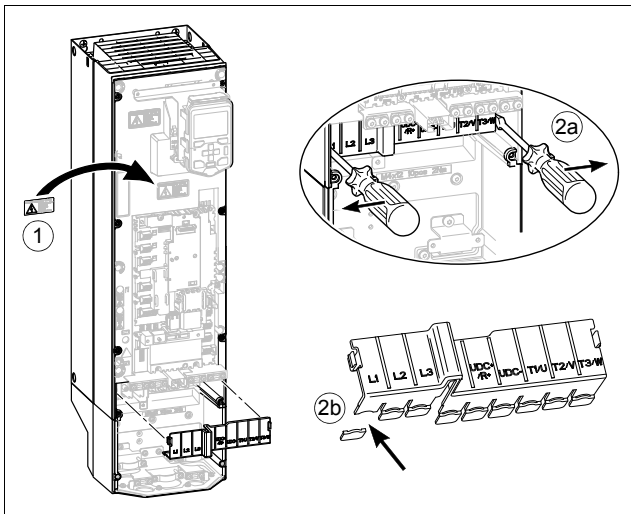


■ Connection procedure, frame R5

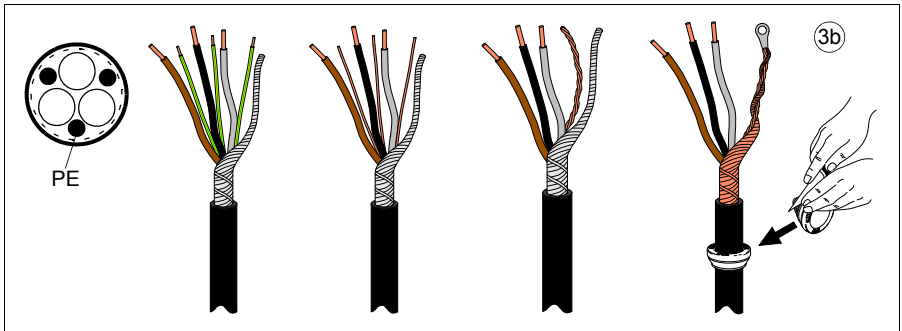
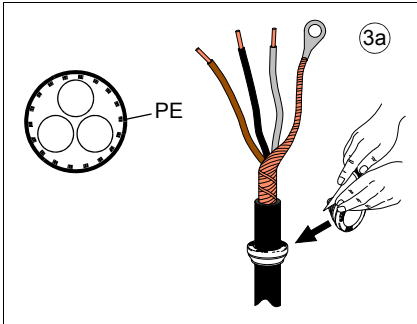
Prepare the drive and the cables

 **WARNING!** If the drive will be connected on an IT (ungrounded) system or on a corner-grounded TN system, make sure you have disconnected the EMC filter. See page [71](#).

1. Attach the residual voltage warning sticker in the local language next to the control board.
2. Remove the shroud on the power cable terminals by releasing the clips and lifting the shroud up from the sides with a screwdriver (2a). Knock out holes in the shroud for the cables to be installed (2b).

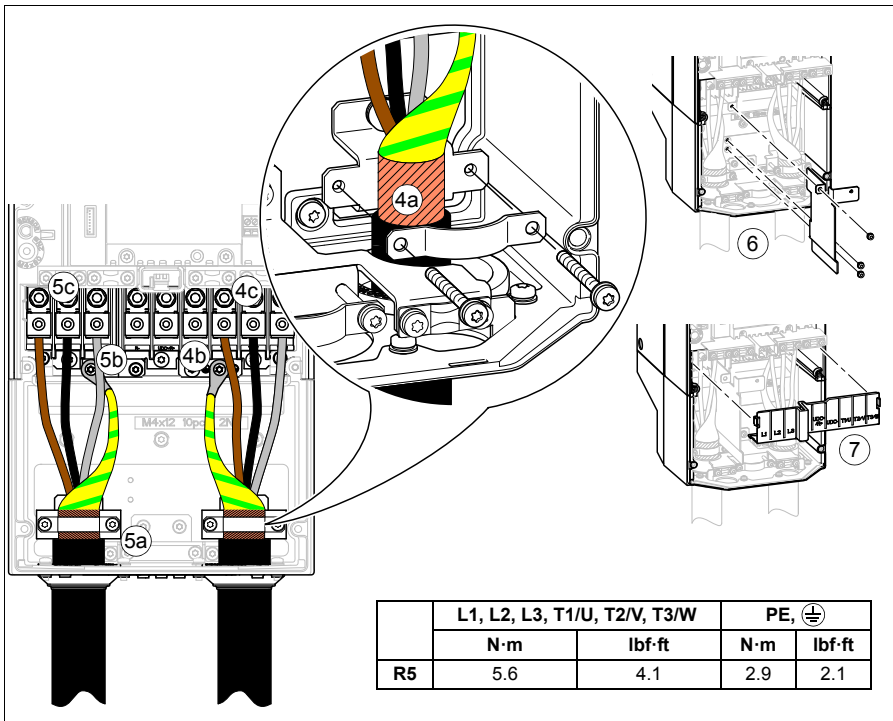


3. Cut adequate holes into the rubber grommets. Slide the grommets onto the cables. Prepare the ends of the cables as illustrated in the figure. If you use aluminum cables, put grease to the peeled aluminum cable before connecting it to the drive. **Note:** The bare shield will be grounded 360 degrees. Mark the pigtail made from the shield as a PE conductor with yellow-and-green color. Slide the cables through the holes of the lead-through plate and attach the grommets to the holes (the motor cable to the right and the input power cable to the left).



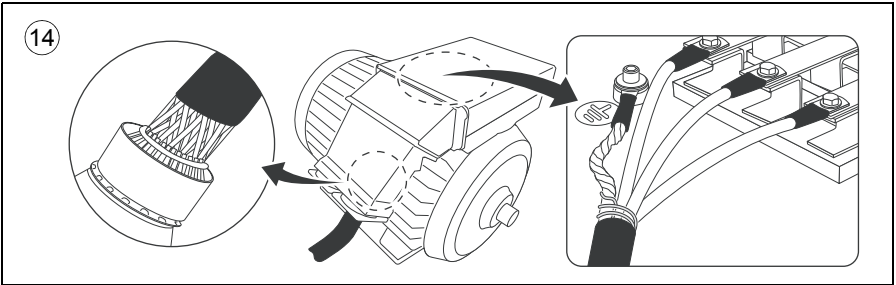
Connect the cables

4. Connect the motor cable:
 - Ground the shield 360 degrees under the grounding clamps (4a).
 - Connect the twisted shield of the cable to the grounding terminal (4b).
 - Connect the phase conductors of the cable to the T1/U, T2/V and T3/W terminals (4c). Tighten the screws to the torque given in table.
5. Connect the input power cable as in step 4. Ground the shield 360 degrees under the grounding clamps (5a). Connect the twisted shield to the grounding terminal (5b) and the phase conductors to the L1, L2 and L3 terminals (5c). Tighten the screws to the torque given in table.
6. Install the EMC shroud separating the input and output cabling.
7. Reinstall the shroud on the power terminals.



8. Put the unused rubber grommets to the holes in the lead-through plate.
9. Secure the cables outside the unit mechanically.

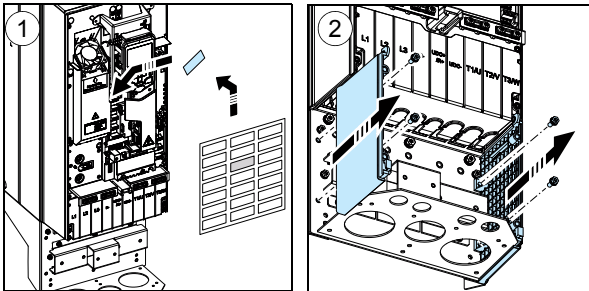
10. Ground the motor cable shield at the motor end. For minimum radio frequency interference, ground the motor cable shield 360 degrees at the lead-through of the motor terminal box.



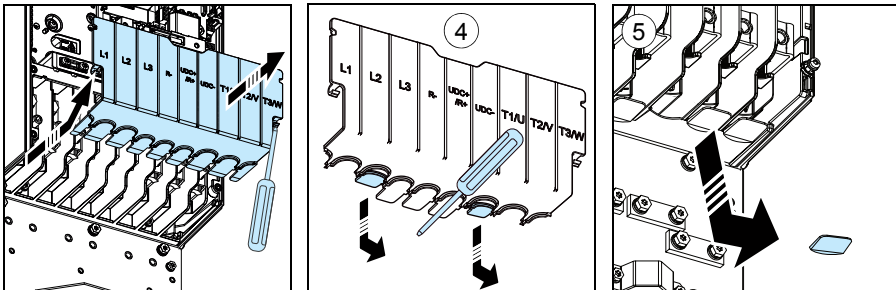
■ Connection procedure, frames R6...R9

⚠ WARNING! If the drive will be connected on an IT (ungrounded) system or on a corner-grounded TN system, make sure you have disconnected the EMC filter. See page 71.

1. Attach the residual voltage warning sticker in the local language next to the control board.
2. Remove the side plates of the cable entry box: Remove the retaining screws and slide the walls out.

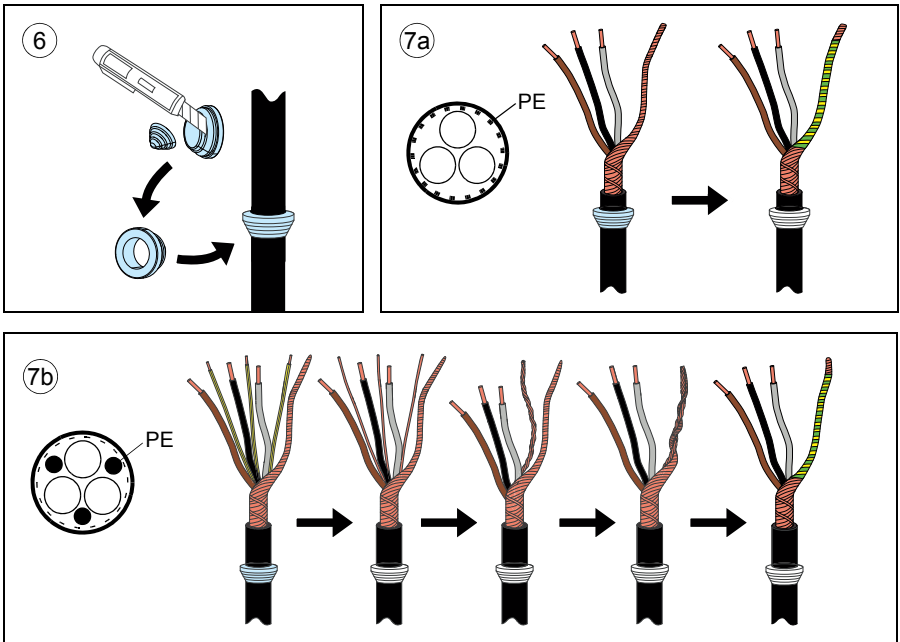


3. Remove the shroud on the power cable terminals by releasing the clips with a screwdriver and pulling the shroud out.
4. Knock out holes in the shroud for the cables to be installed.
5. Frames R8...R9: If you install parallel cables, also knock out holes in the lower shroud for the cables to be installed.



Motor cable

6. Cut an adequate hole into the rubber grommet. Slide the grommet onto the cable.
7. Prepare the ends of the input power cable and motor cable as illustrated in the figure. If you use aluminum cables, put grease to the peeled aluminum cable before connecting it to the drive. Two different motor cable types are shown in the figures (7a, 7b). **Note:** The bare shield will be grounded 360 degrees. Mark the pigtail made from the shield as a PE conductor with yellow-and-green color.



8. Slide the cables through the holes of the lead-through plate and attach the grommets to the holes (the motor cable to the right and the input power cable to the left).
9. Connect the motor cable:
 - Ground the shield 360 degrees under the grounding clamps.
 - Connect the twisted shield of the cable to the grounding terminal (9a).
 - Connect the phase conductors of the cable to terminals T1/U, T2/V and T3/W. Tighten the screws to the torque given in the figure (9b).

Note 1 for frames R8...R9: If you connect only one conductor to the connector, we recommend that you put it under the upper pressure plate.

Note 2 for frames R8...R9: The connectors are detachable but we do not recommend that you detach them. If you do, detach and reinstall the connectors as follows.

Terminals L1, L2 and L3

- Remove the combi screw that attaches the connector to its terminal post, and pull the connector off.
- Put the conductor under the connector pressure plate and pre-tighten the conductor.
- Put the connector back onto the terminal post. Start the combi screw, and turn it at least two rotations by hand.



WARNING! Before using tools, make sure that the nut/screw is not cross-threading. Cross-threading will damage the drive and cause danger.

- Tighten the combi screw to a torque of 30 N·m (22 lbf·ft).
- Tighten the conductor(s) to 40 N·m (30 lbf·ft) for frame R8 or to 70 N·m (52 lbf·ft) for frame R9.

Terminals T1/U, T2/V and T3/W

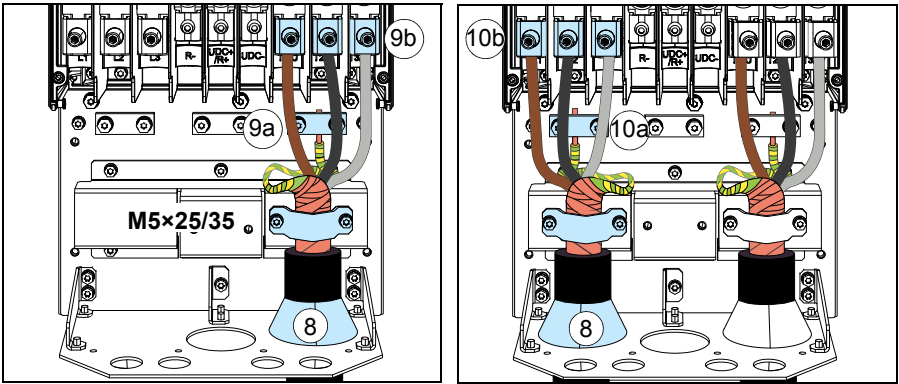
- Remove the nut that attaches the connector to its busbar.
- Put the conductor under the connector pressure plate and pre-tighten the conductor.
- Put the connector back to its busbar. Start the nut, and turn it at least two rotations by hand.



WARNING! Before using tools, make sure that the nut/screw is not cross-threading. Cross-threading will damage the drive and cause danger.

- Tighten the nut to a torque of 30 N·m (22 lbf·ft).
 - Tighten the conductor(s) to 40 N·m (30 lbf·ft) for frame R8 or to 70 N·m (52 lbf·ft) for frame R9.
-

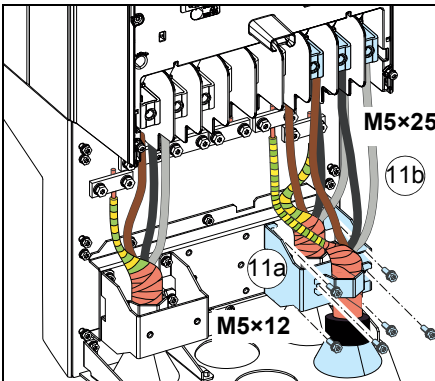
10. Connect the input power cable as in step 9. Use terminals L1, L2 and L3.



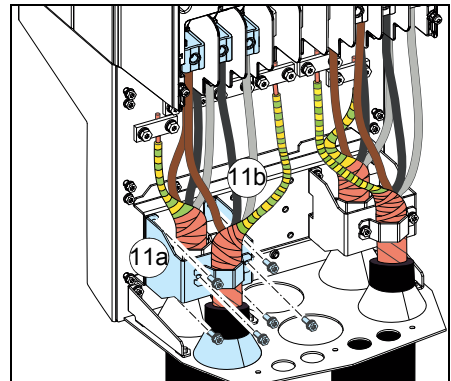
Frame size	L1, L2, L3, T1/U, T2/V, T3/W		PE, ⚡	
	N·m	lbf·ft	N·m	lbf·ft
R6	30	22.1	9.8	7.2
R7	40	29.5	9.8	7.2
R8	40	29.5	9.8	7.2
R9	70	51.6	9.8	7.2

11. Frames R8...R9: If you install parallel cables, install the second grounding shelf for the parallel power cables (11a). Repeat steps 6...10 (11b).

R8...R9



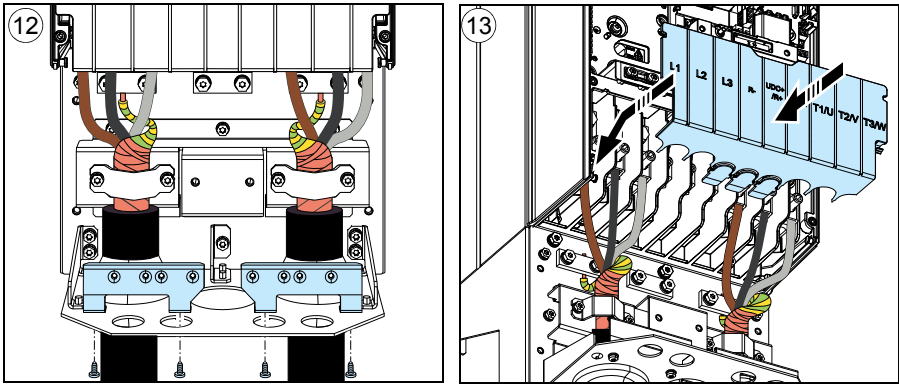
R8...R9



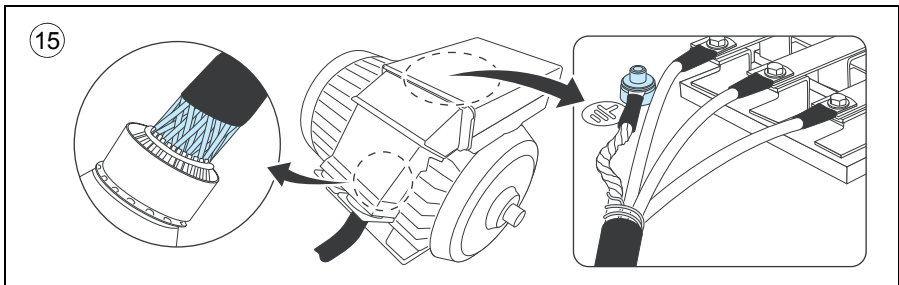
12. Install the grounding shelf of the control cables.

13. Reinstall the shroud on the power terminals.

14. Secure the cables outside the unit mechanically.



15. Ground the motor cable shield at the motor end. For minimum radio frequency interference, ground the motor cable shield 360 degrees at the lead-through of the motor terminal box.



DC connection

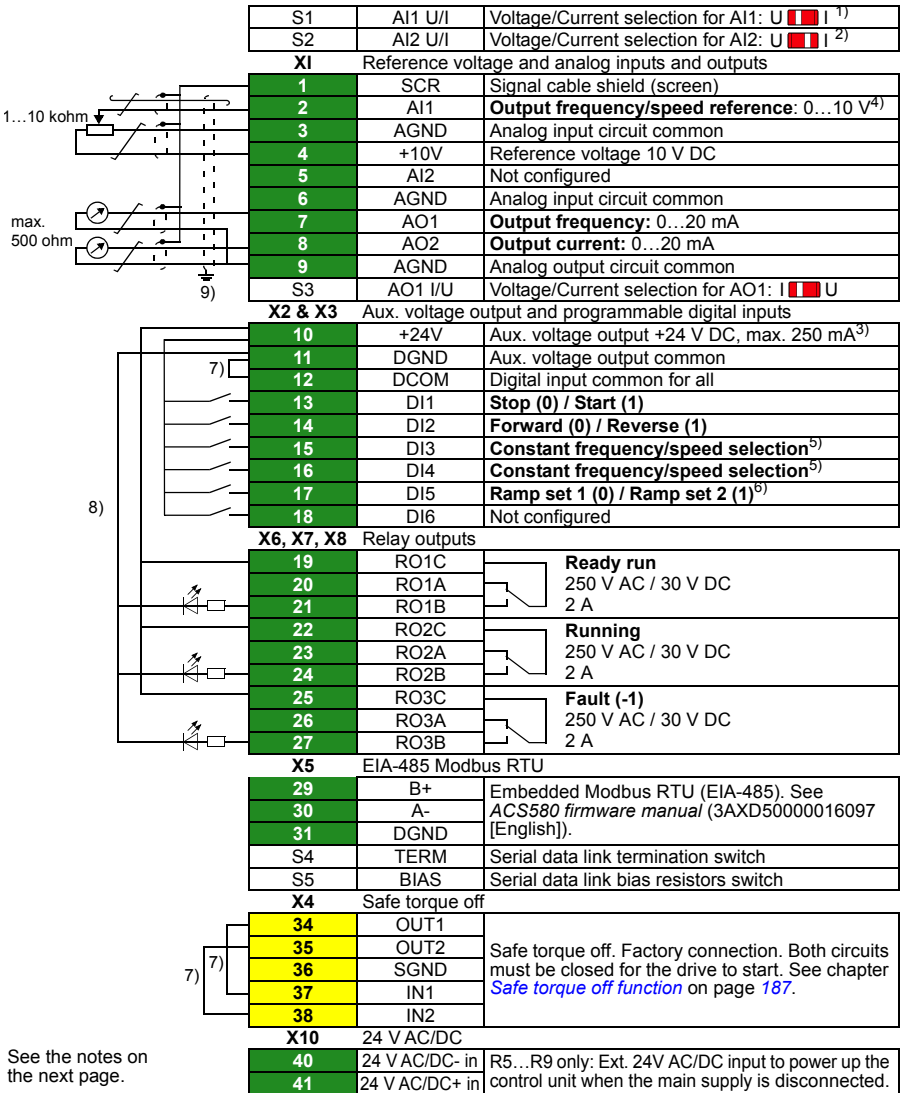
The UDC+ and UDC- terminals (as standard in frames R5...R9) are for using external brake chopper units.

Connecting the control cables

See section [Default I/O connection diagram \(ABB standard macro\)](#) on page [92](#) for the default I/O connections of the ABB standard macro. For other macros, see *ACS580 firmware manual* (3AXD50000016097 [English]).

Connect the cables as described under [Control cable connection procedure R0...R9](#) on page [99](#).

■ Default I/O connection diagram (ABB standard macro)



See the notes on the next page.

Terminal sizes:

R0...R3: 0.2...2.5 mm² (terminals +24V, DGND, DCOM, B+, A-, DGND, Ext. 24V)
 0.14...1.5 mm² (terminals DI, AI, AO, AGND, RO, STO)

R5...R9: 0.14...2.5 mm² (all terminals)

Tightening torques: 0.5...0.6 N·m (0.4 lbf·ft)

Notes:

- 1) Current [0(4)...20 mA, $R_{in} = 100 \text{ ohm}$] or voltage [0(2)...10 V, $R_{in} > 200 \text{ kohm}$] input selected with jumper S1. Change of setting requires changing the corresponding parameter.
- 2) Current [0(4)...20 mA, $R_{in} = 100 \text{ ohm}$] or voltage [0(2)...10 V, $R_{in} > 200 \text{ kohm}$] input selected with jumper S2. Change of setting requires changing the corresponding parameter.
- 3) Total load capacity of the Auxiliary voltage output +24V (X2:10) is 6.0 W (250 mA / 24 V) minus the power taken by the option modules installed on the board.
- 4) AI1 is used as a speed reference if vector control is selected.
- 5) In scalar control (default): See **Menu - Primary settings - Start, stop, reference - Constant frequencies** or parameter group 28 Frequency reference chain.
In vector control: See **Menu - Primary setting - Start, stop, reference - Constant speeds** or parameter group 22 Speed reference selection.

DI3	DI4	Operation/Parameter	
		Scalar control (default)	Vector control
0	0	Set frequency through AI1	Set speed through AI1
1	0	28.26 Constant frequency 1	22.26 Constant speed 1
0	1	28.27 Constant frequency 2	22.27 Constant speed 2
1	1	28.28 Constant frequency 3	22.28 Constant speed 3










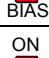
- 6) In scalar control (default): See **Menu - Primary settings - Ramps** or parameter group 28 Frequency reference chain.
In vector control: See **Menu - Primary settings - Ramps** or parameter group 23 Speed reference ramp.

DI5	Ramp set	Parameters	
		Scalar control (default)	Vector control
0	1	28.72 Freq acceleration time 1	23.12 Acceleration time 1
		28.73 Freq deceleration time 1	23.13 Deceleration time 1
1	2	28.74 Freq acceleration time 2	23.14 Acceleration time 2
		28.75 Freq deceleration time 2	23.15 Deceleration time 2

- 7) Connected with jumpers at the factory.
- 8) **Note:** Use shielded twisted-pair cables for digital signals.
- 9) Ground the outer shield of the cable 360 degrees under the grounding clamp on the grounding shelf for the control cables.

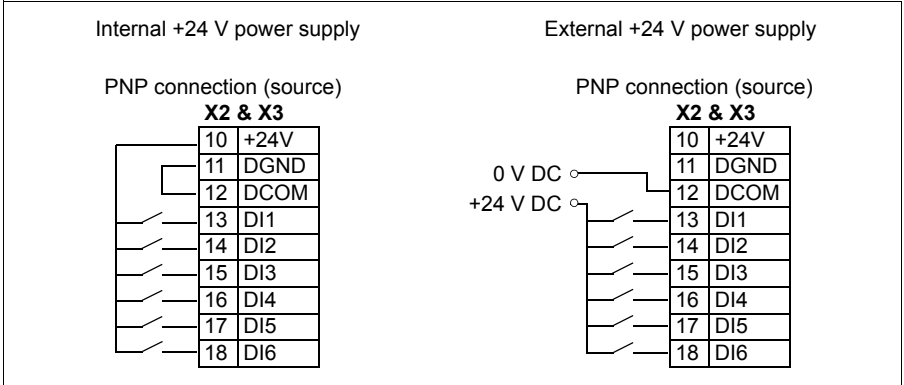
Further information on the usage of the connectors and switches is given in the sections below. See also section [Control connection data](#) on page 146.

Switches

Switch	Description	Position	
S1 (AI1)	Determines whether analog input AI1 is used as a voltage or current input.	U I  AI1	Voltage (U) (default)
		U I  AI1	Current (I)
S2 (AI2)	Determines whether analog input AI2 is used as a voltage or current input.	U I  AI2	Voltage (U)
		U I  AI2	Current (I) (default)
S3 (AO1)	Determines whether analog output AO1 is used as a current or voltage output.	I U  AO1	Current (I) (default)
		I U  AO1	Voltage (U)
S4 (TERM)	Modbus link termination. Must be set to the terminated (ON) position when the drive (or another device) is the first or last unit on the link.	ON  TERM	Bus not terminated (default)
		ON  TERM	Bus terminated
S5 (BIAS)	Switches on the biasing voltages to the bus. One (and only one) device, preferably at the end of the bus must have the bias on.	ON  BIAS	Bias off (default)
		ON  BIAS	Bias on

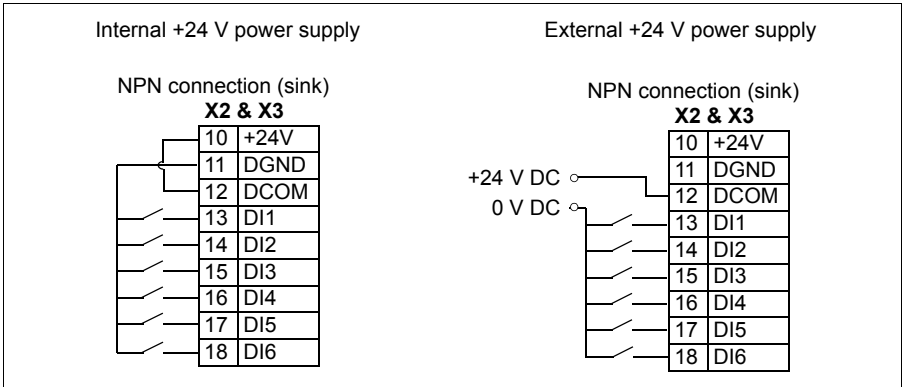
PNP configuration for digital inputs

Internal and external +24 V power supply connections for PNP configuration are shown in the figure below.



NPN configuration for digital inputs

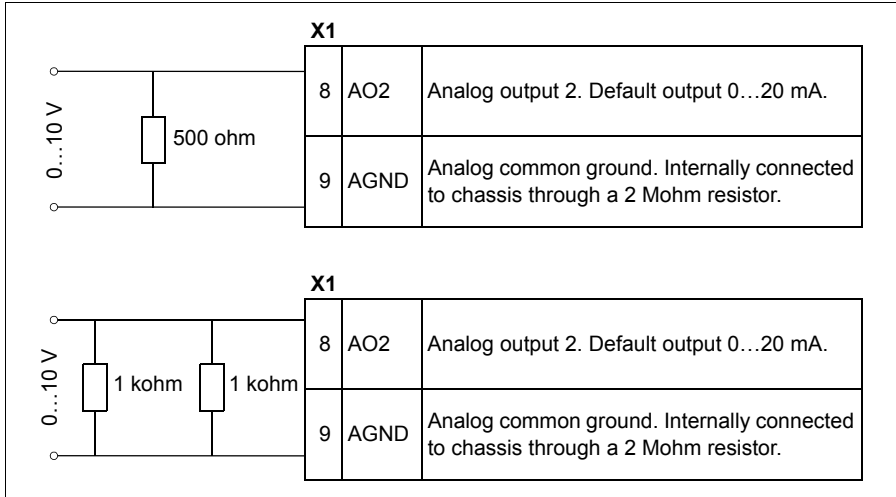
Internal and external +24 V power supply connections for NPN configuration are shown in the figure below.



Connection for obtaining 0...10 V from analog output 2 (AO2)

To obtain 0...10 V from analog output AO2, connect a 500 ohm resistor (or two 1 kohm resistors in parallel) between the analog output 2 AO2 and analog common ground AGND.

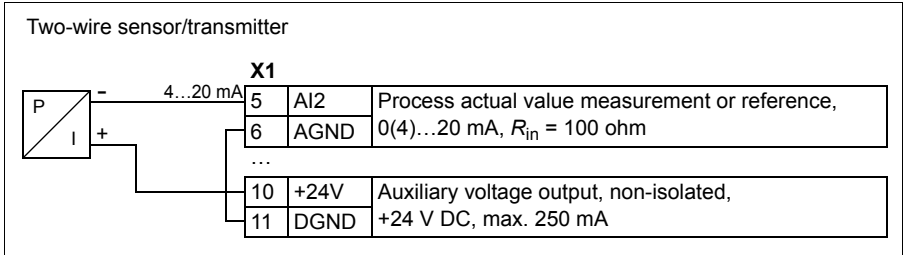
Examples are shown in the figure below.



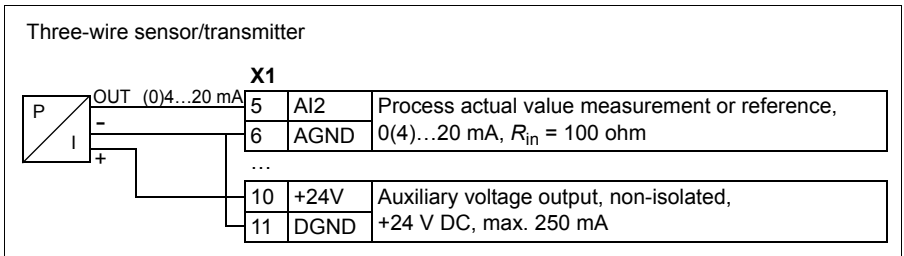
Connection examples of two-wire and three-wire sensors

Hand/Auto, Hand/PID, and PID macros (see *ACS580 firmware manual* (3AXD50000016097 [English])) use analog input 2 (AI2). The macro wiring diagrams on these pages use an externally powered sensor (connections not shown). The figures below give examples of connections using a two-wire or three-wire sensor/transmitter supplied by the drive auxiliary voltage output.

Note: Maximum capability of the auxiliary 24 V DC (250 mA) output must not be exceeded.



Note: The sensor is supplied through its current output and the drive feeds the supply voltage (+24 V DC). Thus the output signal must be 4...20 mA, not 0...20 mA.

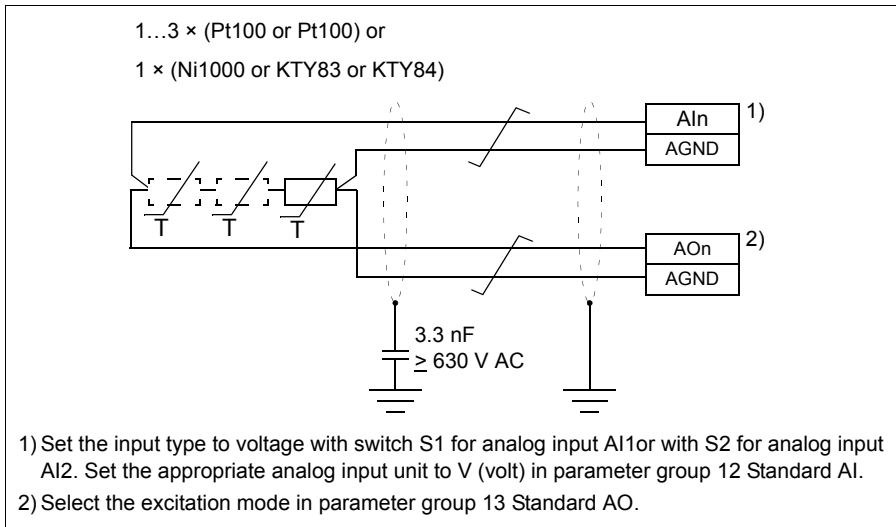


DI6 as frequency input

If DI6 is used as a frequency input, see *ACS580 firmware manual* (3AXD50000016097 [English]) for how to set parameters accordingly.

AI1 and AI2 as Pt100, Pt1000, Ni1000, KTY83 and KTY84 sensor inputs (X1)

One, two or three Pt100 sensors; one, two or three Pt1000 sensors; or one Ni1000, KTY83 or KTY84 sensor for motor temperature measurement can be connected between an analog input and output as shown below. Do not connect both ends of the cable shields directly to ground. If a capacitor cannot be used at one end, leave that end of the shield unconnected.



WARNING! As the inputs pictured above are not insulated according to IEC 60664, the connection of the motor temperature sensor requires double or reinforced insulation between motor live parts and the sensor. If the assembly does not fulfill the requirement, the I/O board terminals must be protected against contact and must not be connected to other equipment or the temperature sensor must be isolated from the I/O terminals.

Safe torque off (X4)

For the drive to start, both connections (+24 V DC to IN1 and +24 V DC to IN2) must be closed. By default, the terminal block has jumpers to close the circuit. Remove the jumpers before connecting an external Safe torque off circuitry to the drive. See chapter [Safe torque off function](#) on page 187.

Note: Only 24 V DC can be used for STO. Only PNP input configuration can be used.

■ Control cable connection procedure R0...R9



WARNING! Obey the instructions in chapter *Safety instructions* on page 11. If you ignore them, injury or death, or damage to the equipment can occur.

1. Stop the drive and do the steps in section *Precautions before electrical work* on page 14 before you start the work.
2. Remove the front cover(s) if not already removed. See page 75 (R0...R3), page 49 (R5) or page 52 (R6...R9).

Analog signals

The figures for frames R0...R2 (page 101), R3 (page 101), R5 (page 102) and R6...R7 (page 103) show an example of connecting a cable. Make the connections according to the macro in use.

3. Cut an adequate hole into the rubber grommet and slide the grommet onto the cable. Slide the cable through a hole in the lead-through plate and attach the grommet to the hole.
4. Ground the outer shield of the cable 360 degrees under the grounding clamp. Keep the cable unstripped as close to the terminals of the control board as possible.
Frames R5...R9: Secure the cables mechanically at the clamps below the control unit.
Ground also the pair-cable shields and grounding wire at the SCR terminal.
5. Route the cable as shown in the figures on pages 101 (R0...R2), 101 (R3), 102 (R5) or 103 (R6...R9).
6. Connect the conductors to the appropriate terminals of the control board and tighten to 0.5...0.6 N·m (0.4 lbf·ft).

Digital signals

The figures for frames R0...R2 (page 101), R3 (page 101), R5 (page 102) and R6...R7 (page 103) show an example of connecting a cable. Make the connections according to the macro in use.

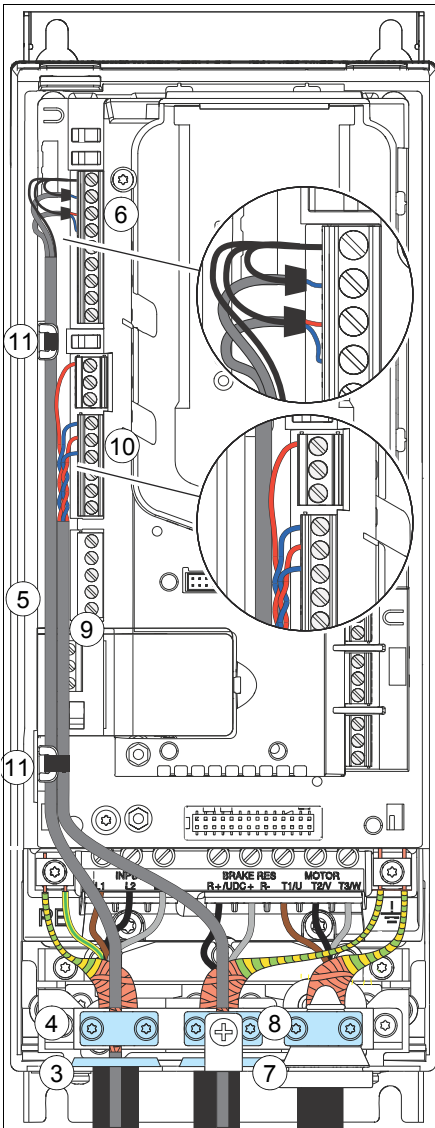
7. Cut an adequate hole into the rubber grommet and slide the grommet onto the cable. Slide the cable through the hole in the lead-through plate and attach the grommet to the hole.
8. Ground the outer shield of the cable 360 degrees under the grounding clamp. Keep the cable unstripped as close to the terminals of the control board as possible.
Frames R5...R9: Secure the cables mechanically at the clamps below the control unit.
If you use double-shielded cables, ground also the pair-cable shields and grounding wire at the SCR terminal.

9. Route the cable as shown in the figures on pages [101](#) (R0...R2), [101](#) (R3), [102](#) (R5) or [103](#) (R6...R9).
10. Connect the conductors to the appropriate terminals of the control board and tighten to 0.5...0.6 N·m (0.4 lbf·ft).
11. Tie all control cables to the provided cable tie mounts.

Note:

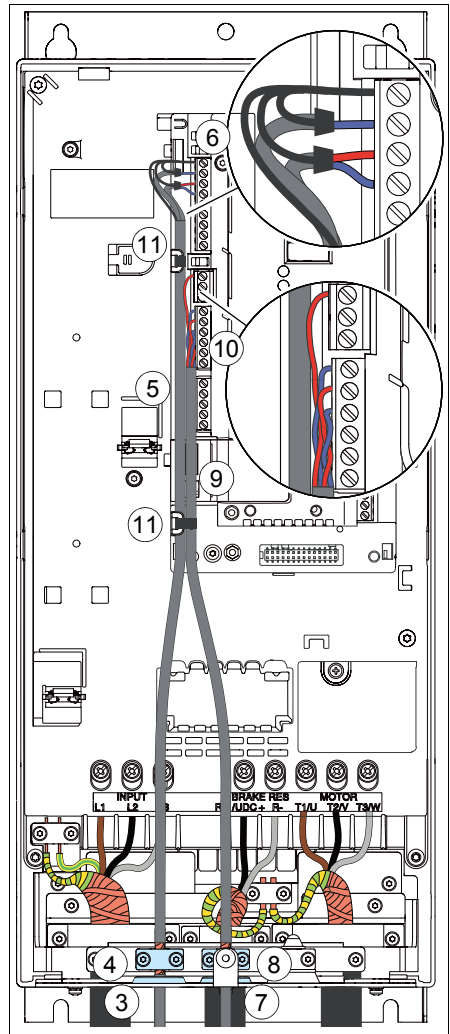
- Leave the other ends of the control cable shields unconnected or ground them indirectly via a high-frequency capacitor with a few nanofarads, eg, 3.3 nF / 630 V. The shield can also be grounded directly at both ends if they are *in the same ground line* with no significant voltage drop between the end points.
 - Keep any signal wire pairs twisted as close to the terminals as possible. Twisting the wire with its return wire reduces disturbances caused by inductive coupling.
-

R0...R2



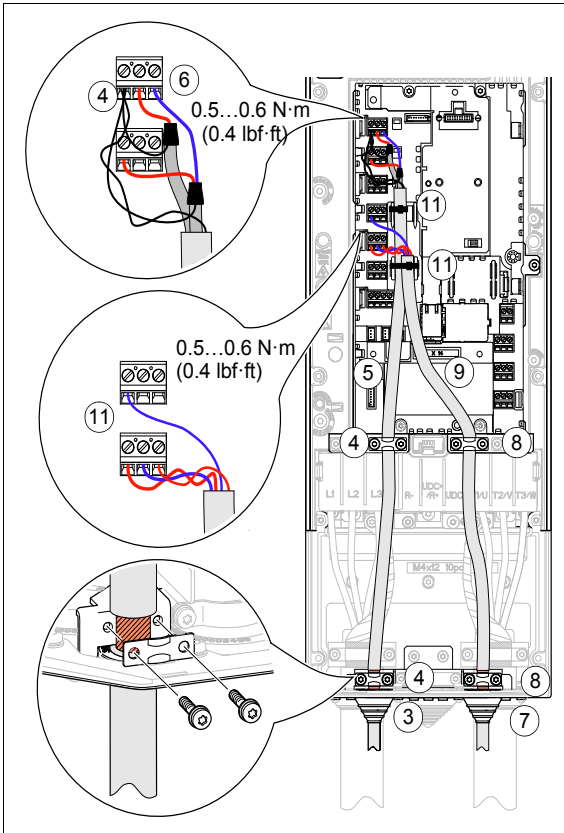
R0...R2: 0.5...0.6 N·m (0.4 lbf·ft)

R3



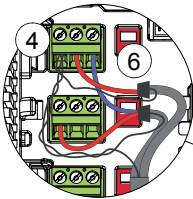
R3: 0.5...0.6 N·m (0.4 lbf·ft)

R5

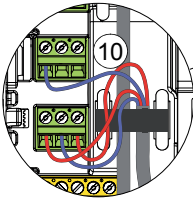


R6...R9

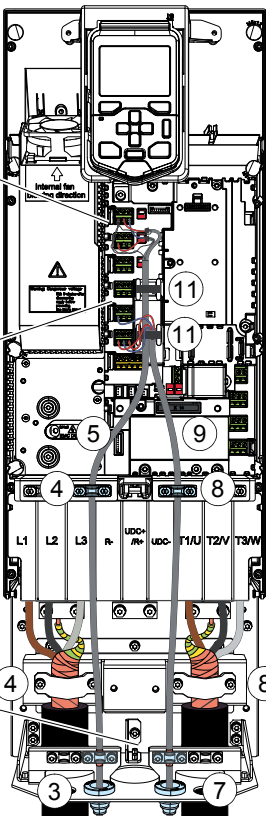
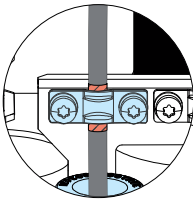
0.5...0.6 N·m
(0.4 lbf·ft)



0.5...0.6 N·m
(0.4 lbf·ft)



M4×20



Installing option modules

Note: If you will install the FPBA-01 module, see section [FPBA-01 PROFIBUS DP adapter module connectors](#) on page 59 for suitable connector types.

■ Mechanical installation of option modules

See section [Overview of power and control connections](#) page 29 for the available slots for each module. Install the optional modules as follows:



WARNING! Obey the instructions in chapter [Safety instructions](#) on page 11. If you ignore them, injury or death, or damage to the equipment can occur.

Note: Slot 2 in frames R0...R3 is at U_{DC} potential. You must disconnect power supplies before installing or removing an I/O extension module.

Stop the drive and do the steps in section [Precautions before electrical work](#) on page 14 before you start the work.

1. Remove the front cover(s) if not already removed. See page 75 (R0...R3), page 49 (R5) or page 52 (R6...R9).

The figures for frames R0...R3 (page 105) and R6...R9 (page 106) show an example of installing optional modules.

Option slot 3 (embedded fieldbus adapter modules)

2. The drive is delivered with the standard embedded fieldbus adapter module CEIA-01 installed.
If you have ordered another optional module, remove the CEIA-01 module by carefully bending the retaining clips to the sides while pulling the module outward, and put the other module carefully into its position.

Note: Frames R0...R3: The module in option slot 3 is under the module in option slot 1. If you have to change the module in option slot 3, remove first the any module in option slot 1, if present.

Option slot 2 (I/O extension modules)

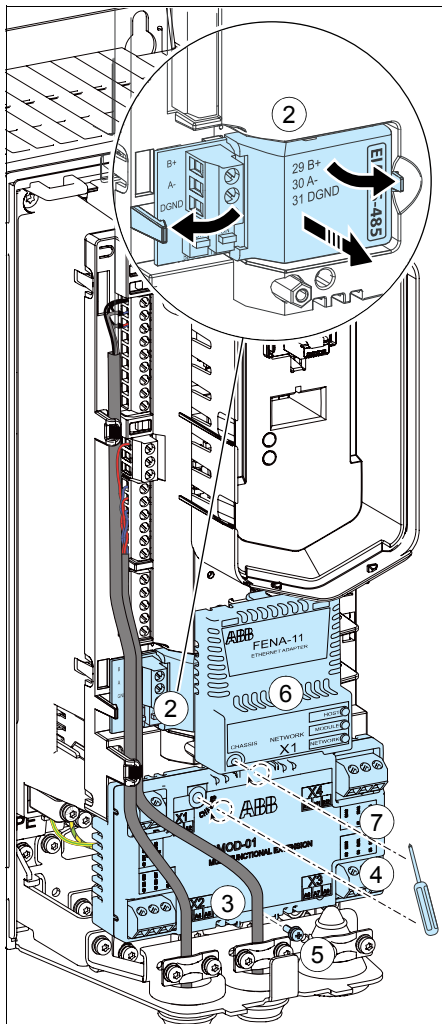
3. Put the module carefully into its position on the control unit.
4. Tighten the mounting screw.
5. Tighten the grounding screw (CHASSIS). **Note:** The screw grounds the module. It is necessary for fulfilling the EMC requirements and for proper operation of the module.

Note: Frames R0...R3: The module in option slot 2 covers the power terminals. Do not install a module in option slot 2 before you have installed the power cables.

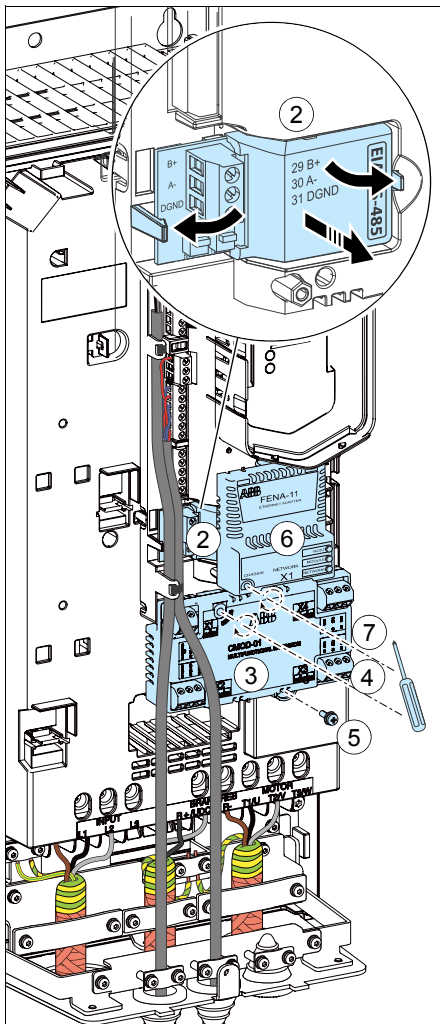
Option slot 1 (fieldbus adapter modules)

6. Put the module carefully into its position on the control board.
7. Tighten the mounting screw (CHASSIS). **Note:** The screw tightens the connections and grounds the module. It is necessary for fulfilling the EMC requirements and for proper operation of the module.

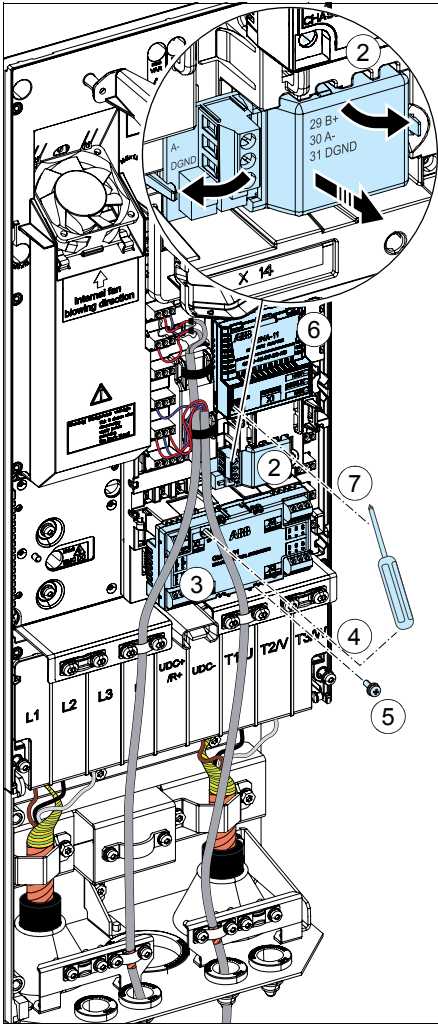
R0...R2



R3



R6...R9



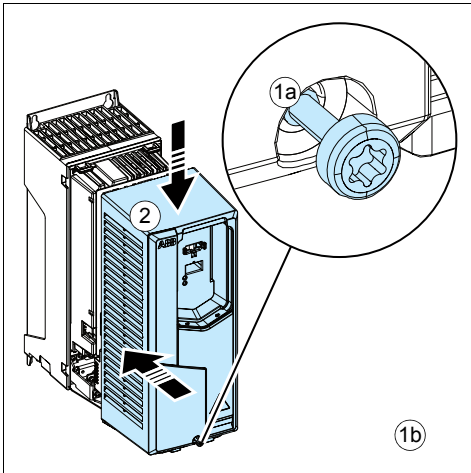
■ Wiring the modules

See the appropriate optional module manual for specific installation and wiring instructions.

Reinstalling covers

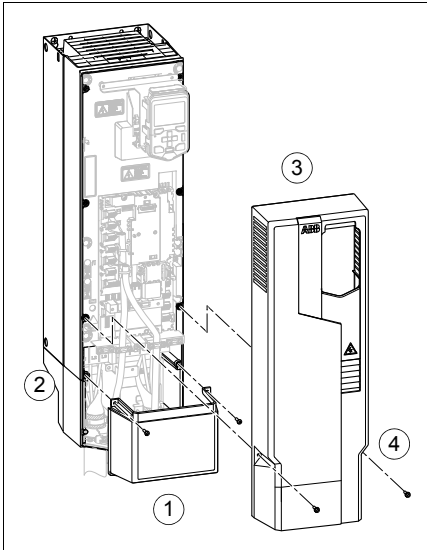
■ Reinstalling cover, frames R0...R3

1. Reinstall the cover: Put the tabs on the cover top in their counterparts on the housing (1a) and then press the cover (1b).
2. Tighten the retaining screw at the bottom with a screwdriver.



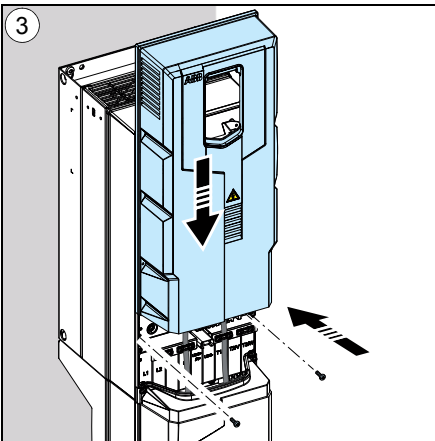
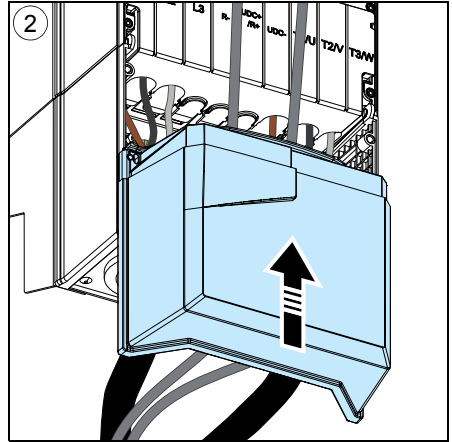
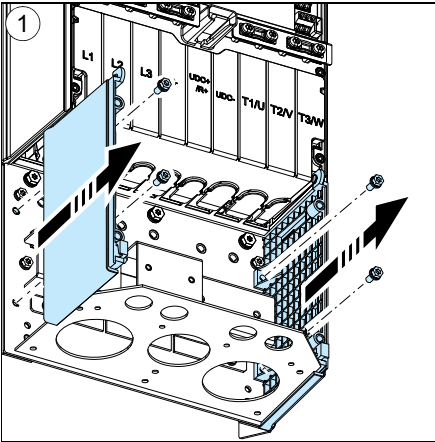
■ Reinstalling covers, frame R5

1. Install the cover of the cable entry box.
2. Tighten the two retaining screws with a screwdriver.
3. Reinstall the module cover. Put the tabs on the cover top in their counterparts on the housing and then press the cover.
4. Tighten the two retaining screws with a screwdriver.



■ Reinstalling side plates and covers, frames R6...R9

1. Reinstall the side plates of the cable entry box. Tighten the retaining screws with a screwdriver.
2. Slide the cover of the cable entry box on the module from below until the cover snaps into place.
3. Reinstall the module cover. Tighten the two retaining screws with a screwdriver.



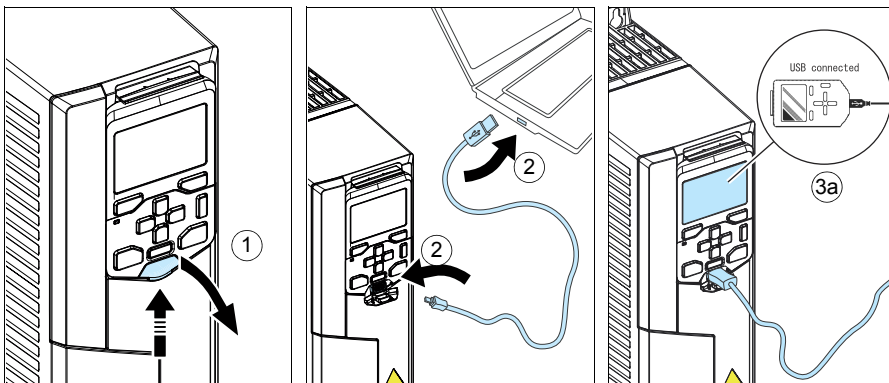
Connecting a PC

To be able to connect a PC to the drive, you need an assistant control panel.

Connect a PC to the drive with a USB data cable (USB Type A <-> USB Type Mini-B) as follows:

1. Lift the USB connector cover from bottom upwards.
2. Put the USB cable Mini-B plug in the control panel USB connector.
3. Put the USB cable A-plug in the USB connector of the PC (3a). The panel displays text “USB connected” (3b).

Note: Panel keys cannot be used when a USB data cable is connected to the panel.



For information on using the Drive composer PC tool, see *Drive composer PC tool user's manual* (3AUA0000094606 [English]).

7

Installation checklist

Contents of this chapter

This chapter contains an installation checklist which you must complete before you start up the drive.

Warnings



WARNING! Obey the instructions in chapter [Safety instructions](#) on page 11. If you ignore them, injury or death, or damage to the equipment can occur.

Checklist

Do the steps in section [Precautions before electrical work](#) on page 14 before you start the work. Go through the checklist together with another person.

<input checked="" type="checkbox"/>	Check that ...
<input type="checkbox"/>	The ambient operating conditions meet the specification in section Ambient conditions on page 152.
<input type="checkbox"/>	<u>If the drive will be connected to an IT (ungrounded) or corner-grounded TN supply network:</u> Internal EMC filter has been disconnected. See section Checking the compatibility with IT (ungrounded) and corner-grounded TN systems on page 71.
<input type="checkbox"/>	<u>If the drive has been stored over one year:</u> The electrolytic DC capacitors in the DC link of the drive have been reformed. See section Capacitors on page 122.
<input type="checkbox"/>	There is an adequately sized protective earth (ground) conductor between the drive and the switchboard.

<input checked="" type="checkbox"/>	Check that ...
<input type="checkbox"/>	There is an adequately sized protective earth (ground) conductor between the motor and the drive.
<input type="checkbox"/>	All protective earth (ground) conductors have been connected to the appropriate terminals and the terminals have been tightened (pull conductors to check).
<input type="checkbox"/>	The supply voltage matches the nominal input voltage of the drive. Check the type designation label.
<input type="checkbox"/>	The input power cable has been connected to appropriate terminals, the phase order is right, and the terminals have been tightened. (Pull conductors to check.)
<input type="checkbox"/>	Appropriate supply fuses and disconnector have been installed.
<input type="checkbox"/>	The motor cable has been connected to appropriate terminals, the phase order is right, and the terminals have been tightened. (Pull conductors to check.)
<input type="checkbox"/>	The brake resistor cable (if present) has been connected to appropriate terminals, and the terminals have been tightened. (Pull conductors to check.)
<input type="checkbox"/>	The motor cable (and brake resistor cable, if present) has been routed away from other cables.
<input type="checkbox"/>	The control cables (if any) have been connected to the control board.
<input type="checkbox"/>	If a drive bypass connection will be used: The direct-on-line contactor of the motor and the drive output contactor are either mechanically or electrically interlocked (cannot be closed simultaneously).
<input type="checkbox"/>	There are no tools, foreign objects or dust from drilling inside the drive.
<input type="checkbox"/>	Drive and motor connection box covers are in place.
<input type="checkbox"/>	The motor and the driven equipment are ready for start-up.



Maintenance and hardware diagnostics

Contents of this chapter

The chapter contains preventive maintenance instructions and LED indicator descriptions.

Maintenance intervals

If installed in an appropriate environment, the drive requires very little maintenance. Section *Preventive maintenance intervals* on page 114 lists the routine maintenance intervals recommended by ABB for customer maintenance tasks.

The recommended maintenance intervals and component replacements are based on specified operational and environmental conditions. ABB recommends annual drive inspections to ensure the highest reliability and optimum performance. Consult your local ABB Service representative for more details on the maintenance. On the Internet, go to <http://www.abb.com/drives>. See the maintenance instructions in this chapter.

■ Preventive maintenance intervals

The table below shows the intervals for the preventive maintenance tasks allowed for the customer. For other maintenance tasks, consult your local ABB Service representative, or see the complete maintenance schedule on the Internet.

Maintenance task/object	Years from start-up													
	0	1	2	3	4	5	6	7	8	9	10	11	12	...
Cooling fans														
Main cooling fan (R0... R9). See page 116.				(R)			R (R)			(R)				R (R)
Auxiliary cooling fan for circuit boards (R6...R9). See page 121.				R (R)			R (R)			R (R)				R (R)
Batteries														
Control panel battery. See page 123.										R (R)				
Connections and environment														
Quality of supply voltage		○	○	○	○	○	○	○	○	○	○	○	○	○
Improvements														
Based on product notes				I (I)			I (I)			I (I)				I (I)
Spare parts														
Spare part stock		I (I)	I (I)	I (I)	I (I)	I (I)	I (I)	I (I)	I (I)	I (I)	I (I)	I (I)	I (I)	I (I)
Reforming of DC circuit capacitors (spare modules and spare capacitors). See page 122.		○	○	○	○	○	○	○	○	○	○	○	○	○
Other useful tasks														
Checking tightness of cable and busbar terminals. Tightening if needed.		I (I)	I (I)	I (I)	I (I)	I (I)	I (I)	I (I)	I (I)	I (I)	I (I)	I (I)	I (I)	I (I)
Checking ambient conditions (dustiness, moisture, temperature)		I (I)	I (I)	I (I)	I (I)	I (I)	I (I)	I (I)	I (I)	I (I)	I (I)	I (I)	I (I)	I (I)
Cleaning the heatsink. See page 115.		○ (○)	○ (○)	○ (○)	○ (○)	○ (○)	○ (○)	○ (○)	○ (○)	○ (○)	○ (○)	○ (○)	○ (○)	○ (○)

4FPS10000309652.xlsx B

Symbols

- I **Inspection**, maintenance action if needed
- (I) **Inspection** in harsh conditions*, maintenance action if needed
- R **Replacement**
- (R) **Replacement** in harsh conditions*
- **Other work** (commissioning, tests, measurements, etc.)

* Ambient temperature constantly over 40 °C, especially dusty or humid ambient conditions, cyclic heavy load, or continuous nominal (full) load.

To maintain the best possible performance and reliability of the drive, inspect the drive annually. Contact ABB Service at least once in three years for replacement of aging components.

Note: Recommended maintenance intervals and component replacements are based on operation in specified ambient conditions.

Heatsink

The drive heatsink fins pick up dust from the cooling air. The drive runs into overtemperature warnings and faults if the heatsink is not clean. When necessary, clean the heatsink as follows.



WARNING! Obey the instructions in chapter [Safety instructions](#) on page [11](#). Ignoring the instructions can cause physical injury or death, or damage to the equipment.



WARNING! Use a vacuum cleaner with antistatic hose and nozzle. Using a normal vacuum cleaner creates static discharges which can damage circuit boards.

1. Stop the drive and disconnect it from the power line. Wait for 5 minutes and then make sure by measuring that there is no voltage. See section [Precautions before electrical work](#) on page [14](#) before you start the work.
 2. Remove the cooling fan(s). See section [Fans](#) on page [116](#).
 3. Blow clean, dry and oil free compressed air from bottom to top and simultaneously use a vacuum cleaner at the air outlet to trap the dust.
Note: If there is a risk of dust entering adjoining equipment, perform the cleaning in another room.
 4. Reinstall the cooling fan(s).
-

Fans

See section [Maintenance intervals](#) on page [113](#) for the fan replacement interval in average operation conditions. Parameter 05.04 Fan on-time counter indicates the running time of the cooling fan. Reset the counter after a fan replacement.

In a speed-controlled fan, the speed of the fan matches the cooling needs. This increases the life span of the fan.

Replacement fans are available from ABB. Do not use other than ABB specified spare parts.

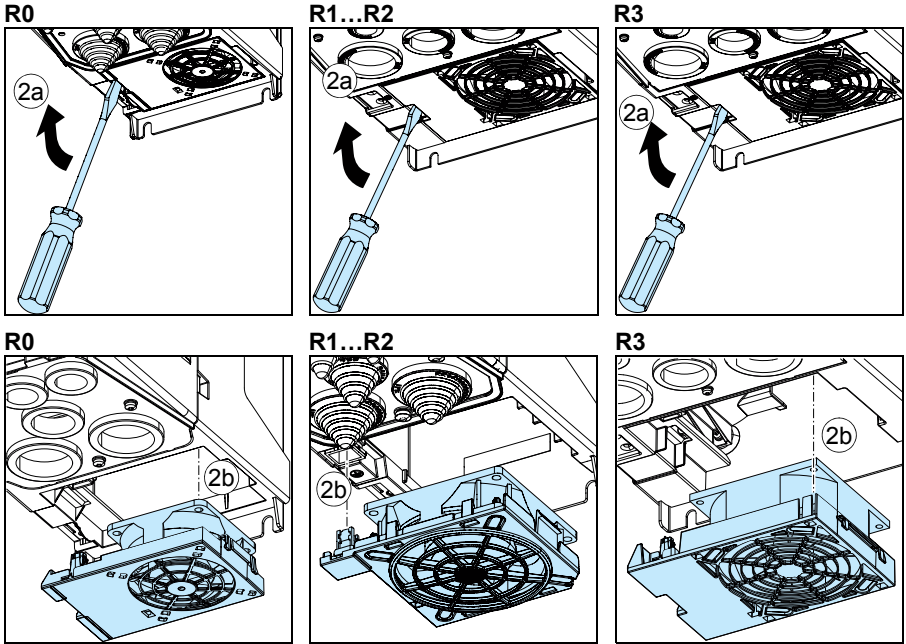
■ Replacing the cooling fan, frames R0...R3



WARNING! Obey the instructions in chapter [Safety instructions](#) on page [11](#). Ignoring the instructions can cause physical injury or death, or damage to the equipment.


1. Stop the drive and disconnect it from the power line. Wait for 5 minutes and then make sure by measuring that there is no voltage. See section [Precautions before electrical work](#) on page [14](#) before you start the work.
-

2. Lever the fan assembly off the drive frame with for example a screwdriver (2a) and pull out the fan assembly (2b).

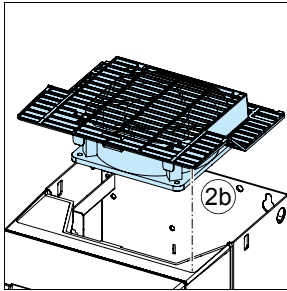
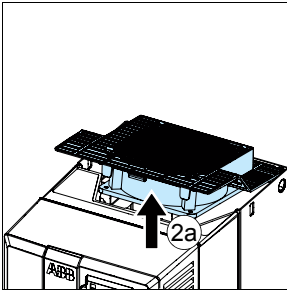


3. Install the fan assembly in reverse order.

■ Replacing the cooling fan, frame R5

 **WARNING!** Obey the instructions in chapter [Safety instructions](#) on page [11](#). Ignoring the instructions can cause physical injury or death, or damage to the equipment.

1. Stop the drive and disconnect it from the power line. Wait for 5 minutes and then make sure by measuring that there is no voltage. See section [Precautions before electrical work](#) on page [14](#) before you start the work.
2. Lift the fan assembly upwards from the front edge (2a) and remove the assembly (2b).
3. Install the new fan assembly in reverse order.

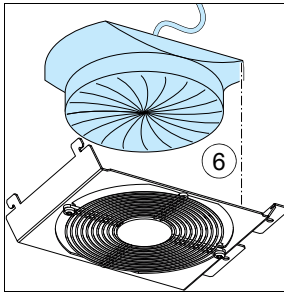
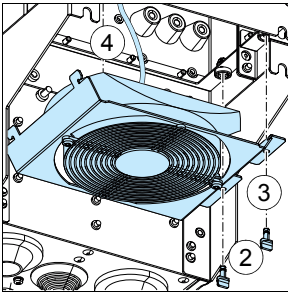


■ Replacing the main cooling fan, frames R6...R8




WARNING! Obey the instructions in chapter [Safety instructions](#) on page 11. Ignoring the instructions can cause physical injury or death, or damage to the equipment.

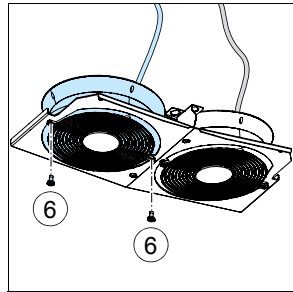
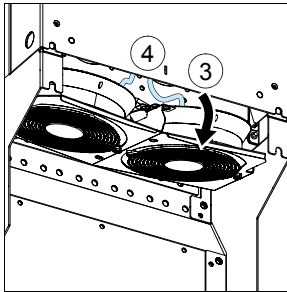
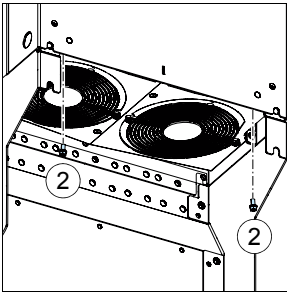
1. Stop the drive and disconnect it from the power line. Wait for 5 minutes and then make sure by measuring that there is no voltage. See section [Precautions before electrical work](#) on page 14 before you start the work.
2. Undo the two mounting screws of the fan mounting plate at the bottom of the drive.
3. Pull the fan mounting plate down from the side edge.
4. Unplug the fan power supply wires from the drive.
5. Lift the fan mounting plate off.
6. Remove the fan from the mounting plate.
7. Install the new fan in reverse order.



■ Replacing the main cooling fans, frame R9

 **WARNING!** Obey the instructions in chapter [Safety instructions](#) on page 11. Ignoring the instructions can cause physical injury or death, or damage to the equipment.

1. Stop the drive and disconnect it from the power line. Wait for 5 minutes and then make sure by measuring that there is no voltage. See section [Precautions before electrical work](#) on page 14 before you start the work.
2. Undo the two mounting screws of the fan mounting plate.
3. Turn the mounting plate downwards.
4. Unplug the fan power supply wires from the drive.
5. Remove the fan mounting plate.
6. Remove the fans by undoing the two mounting screws.
7. Install the new fans in reverse order.

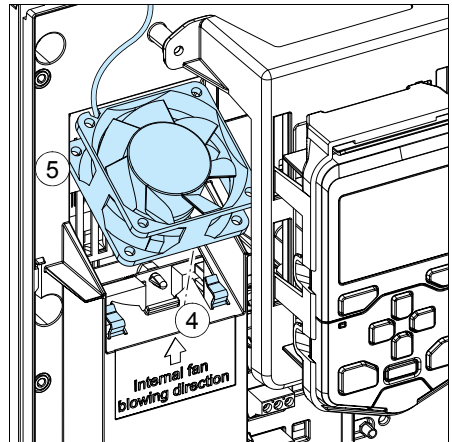
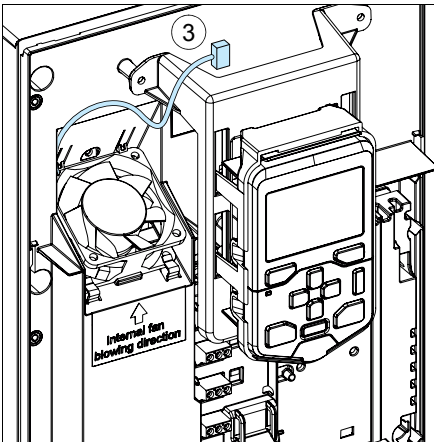


■ Replacing the auxiliary cooling fan, frames R6...R9



WARNING! Obey the instructions in chapter [Safety instructions](#) on page 11. Ignoring the instructions can cause physical injury or death, or damage to the equipment.

1. Stop the drive and disconnect it from the power line. Wait for 5 minutes and then make sure by measuring that there is no voltage. See section [Precautions before electrical work](#) on page 14 before you start the work.
2. Remove the front cover (see page 52).
3. Unplug fan power supply wires from the drive.
4. Release the retaining clips.
5. Lift the fan off.
6. Install the new fan in reverse order. Make sure that the arrow on the fan points up.



Capacitors

The drive intermediate DC circuit employs several electrolytic capacitors. Their lifespan depends on the operating time of the drive, loading and ambient temperature. Capacitor life can be prolonged by lowering the ambient temperature.

Capacitor failure is usually followed by damage to the drive and an input cable fuse failure, or a fault trip. Contact ABB if capacitor failure is suspected. Replacements are available from ABB. Do not use other than ABB specified spare parts.

■ Reforming the capacitors

The capacitors must be reformed if the drive has been stored for a year or more. See section *Type designation label* on page 33 for how to find out the manufacturing date from the serial number.

For information on reforming the capacitors, see *Converter module capacitor reforming instructions* (3BFE64059629 [English]), available on the Internet (go to <http://www.abb.com> and enter the code in the Search field).

Control panel

■ Cleaning the control panel

Use a soft damp cloth to clean the control panel. Avoid harsh cleaners which could scratch the display window.

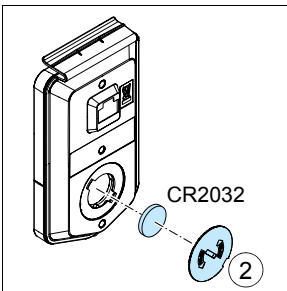
■ Replacing the battery in the assistant control panel

A battery is only used in assistant control panels that have the clock function. The battery keeps the clock operating in memory during power interruptions.

The expected life for the battery is greater than ten years.

Note: The battery is NOT required for any control panel or drive functions, except the clock.

1. Remove the control panel from the drive. See section [Control panel](#) on page 32.
2. To remove the battery, use a coin to rotate the battery cover on the back of the control panel.
3. Replace the battery with type CR2032. Dispose the old battery according to local disposal rules or applicable laws.



LEDs

■ Drive LEDs

There is a green POWER and a red FAULT LED on the front of the drive. They are visible through the panel cover but invisible if a control panel is attached to the drive. The table below describes the drive LED indications.

Drive LEDs POWER and FAULT, on the front of the drive, under the control panel / panel cover				
If a control panel is attached to the drive, switch to remote control (otherwise a fault will be generated), and then remove the panel to be able to see the LEDs				
LEDs off	LED lit and steady		LED blinking	
No power	Green (POWER)	Power supply on the board OK	Green (POWER)	<u>Blinking:</u> Drive in an alarm state <u>Blinking for one second:</u> Drive selected on the control panel when multiple drives are connected to the same panel bus.
	Red (FAULT)	Active fault in the drive. To reset the fault, press RESET from the control panel or switch off the drive power.	Red (FAULT)	Active fault in the drive. To reset the fault, switch off the drive power.

■ Assistant panel LEDs

The assistant control panel has one LED. The table below describes the control panel LED indications. For more information see *ACS-AP-x assistant control panels user's manual* (3AUA0000085685 [English]).

Assistant control panel LED, at the left edge of the control panel				
LED off	LED lit and steady		LED blinking/flickering	
Panel has no power.	Green	Drive functioning normally. Connection between the drive and control panel may be faulty or lost, or the panel and drive may be incompatible. Check the control panel display.	Green	<u>Blinking:</u> Active warning in the drive <u>Flickering:</u> Data transferred between the PC tool and drive through the USB connection of the control panel
	Red	Check the display to see where the fault is. <ul style="list-style-type: none"> • Active fault in the drive. Reset the fault. • Active fault in another drive in the panel bus. Switch to the drive in question and check and reset the fault. 	Red	Active fault in the drive. To reset the fault, cycle the drive power.



Technical data

Contents of this chapter

The chapter contains the technical specifications of the drive, for example ratings, sizes and technical requirements as well as provisions for fulfilling the requirements for CE, UL and other approval marks.

Ratings

IEC ratings

Type ACS580 -01-	Input rating	Max. current	Output ratings						Frame size
			Nominal use		Light-duty use		Heavy-duty use		
			I_N	P_N	I_{Ld}	P_{Ld}	I_{Hd}	P_{Hd}	
A	A	A	kW	A	kW	A	kW		
3-phase $U_N = 400\text{ V}$ (380...415 V)									
02A6-4	2.6	3.2	2.6	0.75	2.5	0.75	1.8	0.55	R0
03A3-4	3.3	4.7	3.3	1.1	3.1	1.1	2.6	0.75	R0
04A0-4	4.0	5.9	4.0	1.5	3.8	1.5	3.3	1.1	R0
05A6-4	5.6	7.2	5.6	2.2	5.3	2.2	4.0	1.5	R0
07A2-4	7.2	10.1	7.2	3.0	6.8	3.0	5.6	2.2	R1
09A4-4	9.4	13.0	9.4	4.0	8.9	4.0	7.2	3.0	R1
12A6-4	12.6	14.1	12.6	5.5	12.0	5.5	9.4	4.0	R1
017A-4	17.0	22.7	17.0	7.5	16.2	7.5	12.6	5.5	R2
025A-4	25.0	30.6	25.0	11.0	23.8	11.0	17.0	7.5	R2
032A-4	32.0	44.3	32.0	15.0	30.4	15.0	24.6	11.0	R3
038A-4	38.0	56.9	38.0	18.5	36.1	18.5	31.6	15.0	R3
045A-4	45.0	67.9	45.0	22.0	42.8	22.0	37.7	18.5	R3
061A-4	61	76	61	30	58	30	45	22	R5
072A-4	72	104	72	37	68	37	61	30	R5
087A-4	87	122	87	45	83	45	72	37	R5
105A-4	105	148	105	55	100	55	87	45	R6
145A-4	145	178	145	75	138	75	105	55	R6
169A-4	169	247	169	90	161	90	145	75	R7
206A-4	206	287	206	110	196	110	169	90	R7
246A-4	246	350	246	132	234	132	206	110	R8
293A-4	293	418	293	160	278	160	246 ¹⁾	132	R8
363A-4	363	498	363	200	345	200	293	160	R9
430A-4	430	617	430	250	400	200	363 ²⁾	200	R9

3AXD00000586715.xls F

See definitions and notes on page [129](#).

NEMA ratings

Type ACS580 -01-	Input rating	Output ratings				Frame size
		Nominal use		Heavy-duty use		
	I_{1N}	I_{Ld}	P_{Ld}	I_{Hd}	P_{Hd}	
	A	A	hp	A	hp	
3-phase $U_N = 460$ V (440...480 V)						
02A6-4	2.1	2.1	1.0	1.6	0.75	R0
03A3-4	3.0	3.0	1.5	2.1	1.0	R0
04A0-4	3.4	3.4	2.0	3.0	1.5	R0
05A6-4	4.8	4.8	3.0	3.4	2.0	R0
07A2-4	6.0	6.0	3.0	4.0	3.0	R1
09A4-4	7.6	7.6	5.0	4.8	3.0	R1
12A6-4	11.0	11.0	7.5	7.6	5.0	R1
017A-4	14.0	14.0	10.0	11.0	7.5	R2
025A-4	21.0	21.0	15.0	14.0	10.0	R2
032A-4	27.0	27.0	20.0	21.0	15.0	R3
038A-4	34.0	34.0	25.0	27.0	20.0	R3
045A-4	40.0	40.0	30.0	34.0	25.0	R3
061A-4	52	52	40	40	30	R5
072A-4	65	65	50	52	40	R5
087A-4	77	77	60	65	50	R5
105A-4	96	96	75	77	60	R6
145A-4	124	124	100	96	75	R6
169A-4	156	156	125	124	100	R7
206A-4	180	180	150	156	125	R7
246A-4	240	240	200	180	150	R8
293A-4	260	260	200	240 ¹⁾	150	R8
363A-4	361	361	300	302	250	R9
430A-4	414	414	350	361 ²⁾	300	R9

3AXD00000586715.xls F

Definitions

- U_N Nominal supply voltage
- I_{1N} Nominal input current. Continuous rms input current (for dimensioning cables and fuses).
- I_{max} Maximum output current. Available for two seconds at start.
- I_N Nominal output current. Maximum continuous rms output current allowed (no overload).
- P_N Nominal power of the drive. Typical motor power (no overloading). The kilowatt ratings apply to most IEC 4-pole motors. The horsepower ratings apply to most NEMA 4-pole motors.
- I_{Ld} Maximum current with 110% overload, allowed for one minute every ten minutes
- P_{Ld} Typical motor power in light-duty use (110% overload)

I_{Hd}	Maximum current with 150% overload, allowed for one minute every ten minutes <ol style="list-style-type: none"> 1) Maximum current with 130% overload, allowed for one minute every ten minutes 2) Maximum current with 125% overload, allowed for one minute every ten minutes
P_{Hd}	Typical motor power in heavy-duty use (150% overload)

■ Sizing

Drive sizing is based on the rated motor current and power. To achieve the rated motor power given in the table, the rated current of the drive must be higher than or equal to the rated motor current. Also the rated power of the drive must be higher than or equal to compared to the rated motor power. The power ratings are the same regardless of the supply voltage within one voltage range.

Note: For frames R0...R3 the ratings apply at ambient temperature of 50 °C (122 °F) for I_N . For frames R5...R9, the ratings apply at ambient temperature of 40 °C (104 °F) for I_N . Above these temperatures derating is required.

The DriveSize dimensioning tool available from ABB is recommended for selecting the drive, motor and gear combination.

Derating

The load capacity (I_N , I_{Ld} , I_{Hd} ; note that I_{max} is not derated) decreases for certain situations, as defined below. In such situations, where full motor power is required, oversize the drive so that the derated value provides sufficient capacity.

Note: If several situations are present at a time, the effect of derating for each situation is cumulative.

Example:

If your application requires continuous 12.0 A of motor current (I_N) at 8 kHz switching frequency, the supply voltage is 400 V and the drive is situated at 1500 m, calculate the appropriate drive size requirement as follows:

Switching frequency derating (page 134):

The minimum size required is $I_N = 12.0 \text{ A} / 0.66 = 18.18 \text{ A}$,
where 0.66 is the derating for 8 kHz switching frequency (frames R0...R3).

Altitude derating (page 134):

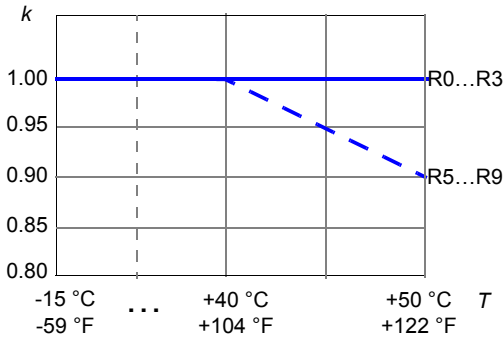
The derating factor for 1500 m is $1 - 1/10\,000 \text{ m} \cdot (1500 - 1000) \text{ m} = 0.95$.
The minimum size required becomes then $I_N = 18.18 \text{ A} / 0.95 = 19.14 \text{ A}$.

Referring to I_N in the ratings tables (starting from page 128), drive type ACS580-01-025A-4 exceeds the I_N requirement of 19.24 A.

Ambient temperature derating, IP21

Frame size	Temperature range	
R0...R3	up to +50 °C up to +122 °F	No derating
R5...R9	up to +40 °C up to +104 °F	No derating
	+40...+50 °C +104...+122 °F	Derate 1% for every 1 °C (1.8 °F)

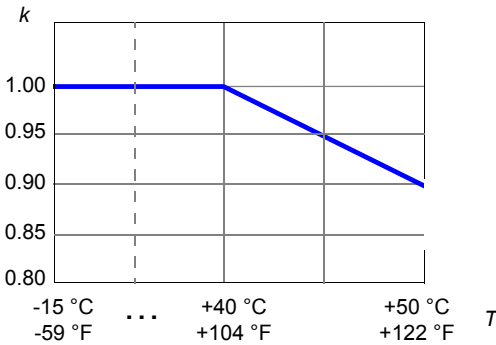
The output current is calculated by multiplying the current given in the rating table by the derating factor (k, in the diagram below).



■ Ambient temperature derating, IP55

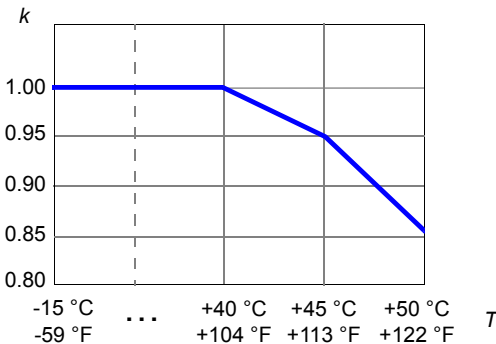
IP55 (UL Type 12) drive types, other than the exceptions listed in the following subheadings

In the temperature range +40...50 °C (+104...122 °F), the rated output current is derated by 1% for every added 1 °C (1.8 °F). The output current can be calculated by multiplying the current given in the rating table by the derating factor (k):



■ IP55 (UL Type 12) type -045A-4

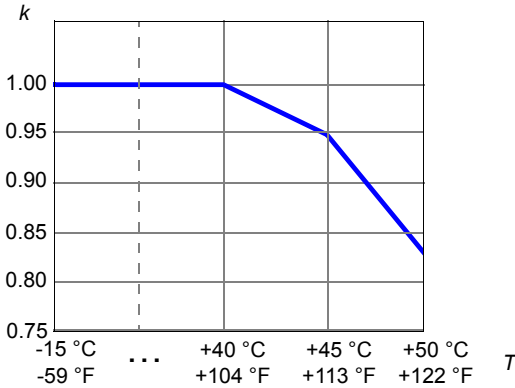
In the temperature range +40...45 °C (+104...113 °F), the rated output current is derated by 1% for every added 1 °C (1.8 °F). In the temperature range +45...50 °C (+113...122 °F), the rated output current is derated by 1.5% for every added 1 °C (1.8 °F).



■ IP55 (UL Type 12) drive type -293A-4

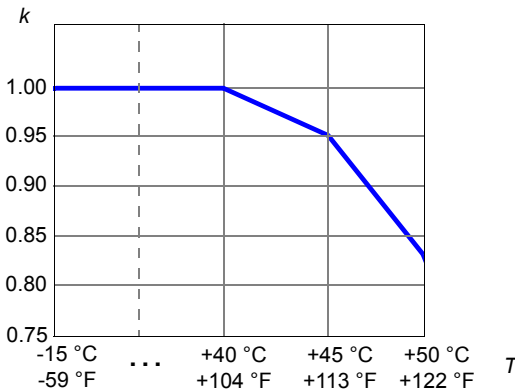
In the temperature range +40...45 °C (+104...113 °F), the rated output current is derated by 1% for every added 1 °C (1.8 °F). In the temperature range +45...50 °C (+113...122 °F), the rated output current is derated by 2.5% for every added 1 °C (1.8 °F).

°F). The output current can be calculated by multiplying the current given in the rating table by the derating factor (k):



IP55 (UL Type 12) drive type -363A-4

In the temperature range +40...45 °C (+104...113 °F), the rated output current is derated by 1% for every added 1 °C (1.8 °F). In the temperature range +45...50 °C (+113...122 °F), the rated output current is derated by 2.5% for every added 1 °C (1.8 °F). The output current can be calculated by multiplying the current given in the rating table by the derating factor (k):



IP55 (UL Type 12) type -430A-4

The maximum ambient temperature is 35 °C (95 °F).

■ Switching frequency derating

The output current is calculated by multiplying the current given in the rating table by the derating factor given in the table below.

Note: If you change the minimum switching frequency with parameter 97.02 Minimum switching frequency, derate according to the table below. Changing parameter 97.01 Switching frequency reference does not require derating.

Frame size	Derating factor (k) for the minimum switching frequencies				
	1 kHz	2 kHz	4kHz	8 kHz	12 kHz
R0	1	1	1	0.67	0.5
R1	1	1	1	0.67	0.5
R2	1	1	1	0.65	0.48
R3	1	1	1	0.65	0.48
R5	1	1	0.92	0.7	0.56
R6	1	0.97	0.83	0.66	0.5
R7	1	0.98	0.88	0.7	0.5
R8	1	0.96	0.81	0.6	N/A
R9	1	0.95	0.78	0.56	N/A

■ Altitude derating

In altitudes 1000...4000 m (3300...13120 ft) above sea level, the derating is 1% for every 100 m (330 ft).

The output current is calculated by multiplying the current given in the rating table by the derating factor k, which for x meters (1000 m ≤ x ≤ 4000 m) is:

$$k = 1 - \frac{1}{10\,000\text{ m}} \cdot (x - 1000)\text{ m}$$

Check the network compatibility restrictions above 2000 m (6562 ft), see [Installation site altitude](#) on page 152. Check also PELV limitation on relay output terminals above 2000 m (6562 ft), see sections [Isolation areas, R0...R3 \(CCU-11\)](#): on page 148 and [Isolation areas, R5...R9 \(CCU-12\)](#): on page 149.

Fuses (IEC)

gG as well as uR or aR fuses for protection against short-circuit in the input power cable or drive are listed below. Either fuse type can be used for frames R0...R3 and R5...R6 if it operates rapidly enough. The operating time depends on the supply network impedance and the cross-sectional area and length of the supply cable. For frames R7...R9 ultrarapid (aR) fuses must be used.

Note 1: See also [Implementing thermal overload and short-circuit protection](#) on page 62.

Note 2: Fuses with higher current rating than the recommended ones must not be used.

Note 3: Fuses from other manufacturers can be used if they meet the ratings and the melting curve of the fuse does not exceed the melting curve of the fuse mentioned in the table.

■ gG fuses

Check on the fuse time-current curve to ensure the operating time of the fuse is below 0.5 seconds. Obey the local regulations.

Type ACS580 -01-	Min. short-circuit current ¹⁾	Input current	gG (IEC 60269)				
			Nominal current	I^2t	Voltage rating	ABB type	IEC 60269 size
			A	A ² s	V		
3-phase $U_N = 400$ or 460 V (380...415 V, 440...480 V)							
02A6-4	32	2.6	4	55	500	OFAF000H4	000
03A3-4	48	3.3	6	110	500	OFAF000H6	000
04A0-4	48	4.0	6	110	500	OFAF000H6	000
05A6-4	80	5.6	10	360	500	OFAF000H10	000
07A2-4	80	7.2	10	360	500	OFAF000H10	000
09A4-4	128	9.4	16	740	500	OFAF000H16	000
12A6-4	128	12.6	16	740	500	OFAF000H16	000
017A-4	200	17.0	25	2500	500	OFAF000H25	000
025A-4	256	25.0	32	4000	500	OFAF000H32	000
032A-4	320	32.0	40	7700	500	OFAF000H40	000
038A-4	400	38.0	50	16000	500	OFAF000H50	000
045A-4	500	45.0	63	20100	500	OFAF000H63	000
061A-4	800	61	80	37500	500	OFAF000H80	000
072A-4	1000	72	100	65000	500	OFAF000H100	000
087A-4	1000	87	100	65000	500	OFAF000H100	000
105A-4	1300	105	125	103000	500	OFAF00H125	1
145A-4	1700	145	160	185000	500	OFAF00H160	1
169A-4	3300	169	250	600000	500	OFAF0H250	1
206A-4	5500	206	315	710000	500	OFAF1H315	1
246A-4	6400	246	355	920000	500	OFAF1H355	2
293A-4	7800	293	425	1300000	500	OFAF2H425	2
363A-4	9400	363	500	2000000	500	OFAF2H500	2
430A-4	10200	430	630	2800000	500	OFAF3H630	2

3AXD00000586715.xls F

¹⁾ Minimum short-circuit current of the installation

■ uR and aR fuses

Type ACS580 -01-	Min. short- circuit current ¹⁾	Input current	uR or aR				
			Nominal current	I^2t	Voltage rating	Busmann type	IEC 60269 size
			A	A ² s			
3-phase $U_N = 400$ or 460 V (380...415 V, 440...480 V)							
02A6-4	TBA	2.6	25	130	690	170M1561	000
03A3-4	TBA	3.3	25	130	690	170M1561	000
04A0-4	TBA	4.0	25	130	690	170M1561	000
05A6-4	TBA	5.6	25	130	690	170M1561	000
07A2-4	TBA	7.2	25	130	690	170M1561	000
09A4-4	TBA	9.4	25	130	690	170M1561	000
12A6-4	TBA	12.6	25	130	690	170M1561	000
017A-4	TBA	17.0	40	460	690	170M1563	000
025A-4	TBA	25.0	40	460	690	170M1563	000
032A-4	TBA	32.0	63	1450	690	170M1565	000
038A-4	TBA	38.0	63	1450	690	170M1565	000
045A-4	TBA	45.0	80	2550	690	170M1566	000
061A-4	380	61	100	4650	690	170M1567	1
072A-4	480	72	125	8500	690	170M1568	1
087A-4	480	87	160	16000	690	170M1569	1
105A-4	700	105	200	15000	690	170M3815	1
145A-4	700	145	250	28500	690	170M3816	1
169A-4	1280	169	315	46500	690	170M3817	1
206A-4	1520	206	350	68500	690	170M3818	1
246A-4	2050	246	450	105000	690	170M5809	2
293A-4	2200	293	500	145000	690	170M5810	2
363A-4	3100	363	630	275000	690	170M5812	2
430A-4	3600	430	700	405000	690	170M5813	2

3AXD00000586715.xls F

¹⁾ Minimum short-circuit current of the installation

Dimensions, weights and free space requirements

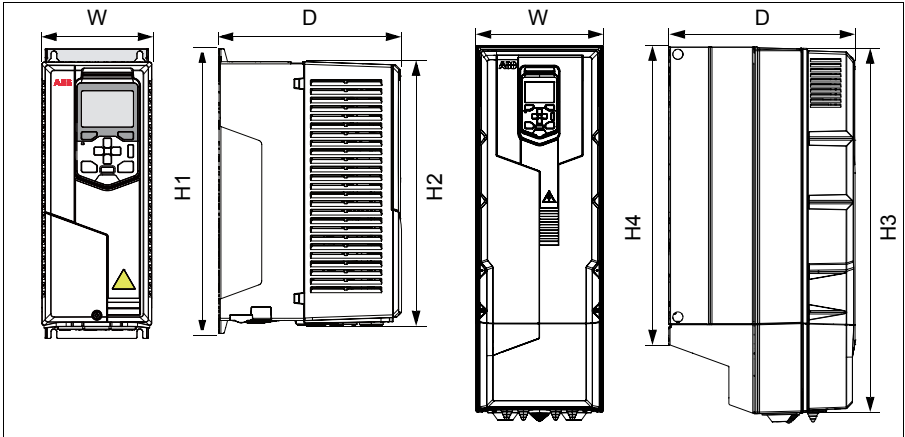
Frame size	Dimensions and weights						
	IP21 / UL type 1						
	H1 mm	H2 mm	H3 mm	H4 mm	W mm	D mm	Weight kg
R0	*)	*)	303	330	125	210	4.5
R1	*)	*)	303	330	125	223	4.6
R2	*)	*)	394	430	125	227	7.5
R3	*)	*)	454	490	203	228	14.9
R5	596	598	726	627	203	283	23.0
R6	548	549	726	589	252	369	45.0
R7	600	601	880	641	284	370	55.0
R8	680	677	965	721	300	393	70.0
R9	680	680	955	741	380	418	98.0

3AXD00000586715.xls F

*) Frames with an integrated gland box

Frame size	Dimensions and weights				
	IP55 / UL type 12				
	H3 mm	H4 mm	W mm	D mm	Weight kg
R0	303	330	125	222	5
R1	303	330	125	233	5
R2	394	430	125	239	7
R3	454	490	203	237	15
R6	726	615	252	380	45
R7	880	641	284	381	55
R8	965	726	300	452	72
R9	955	741	380	477	100

3AXD00000586715.xls F



Symbols

IP21 / UL type 1

- H1** Height back without gland box
- H2** Height front without gland box
- H3** Height front with gland box
- H4** Height back with gland box
- W** Width
- D** Depth

Frame size	Free space							
	Vertical mounting stand alone		Vertical mounting side by side			Horizontal mounting		
	Above mm	Below mm	Above mm	Below mm	Between mm	Above mm	Below mm	Between mm
R0	200	200	200	200	0	TBA	TBA	TBA
R1	200	200	200	200	0	TBA	TBA	TBA
R2	200	200	200	200	0	TBA	TBA	TBA
R3	200	200	200	200	0	TBA	TBA	TBA
R5	200	300	200	300	0	TBA	TBA	TBA
R6	200	300	200	300	0	TBA	TBA	TBA
R7	200	300	200	300	0	TBA	TBA	TBA
R8	200	300	200	300	0	TBA	TBA	TBA
R9	200	300	200	300	0	TBA	TBA	TBA

3AXD00000586715.xls F

See the figures in section [Checking the installation site](#) on page 38.

Losses, cooling data and noise

The air flow direction is from bottom to top.

The table below specifies the heat dissipation in the main circuit at nominal load and in the control circuit with minimum load (I/O, options and panel not in use) and maximum load (all digital inputs and relays in the ON state, and the panel, fieldbus and fan in use). The total heat dissipation is the sum of the heat dissipation in the main and control circuits. Use the maximum losses when designing cabinet or electrical room cooling needs.

Type ACS580 -01-	Heat dissipation				Air flow m ³ /h	Noise dB(A)	Frame size
	Main circuit at rated I_{1N} at I_N	Control circuit minimum	Control circuit maximum	Main and control boards maximum			
	W	W	W	W			
3-phase $U_N = 400$ or 460 V (380...415 V, 440...480 V)							
02A6-4	20	3.5	25	45	TBA	TBA	R0
03A3-4	30	3.5	25	55	TBA	TBA	R0
04A0-4	41	3.5	25	66	TBA	TBA	R0
05A6-4	59	3.5	25	84	TBA	TBA	R0
07A2-4	81	3.5	25	106	TBA	TBA	R1
09A4-4	108	3.5	25	133	TBA	TBA	R1
12A6-4	149	3.5	25	174	TBA	TBA	R1
017A-4	203	3.5	25	228	TBA	TBA	R2
025A-4	297	3.5	25	322	TBA	TBA	R2
032A-4	405	3.5	25	430	TBA	TBA	R3
038A-4	500	3.5	25	525	TBA	TBA	R3
045A-4	594	3.5	25	619	TBA	TBA	R3
061A-4	1117	4.1	36	1153	280	62	R5
072A-4	1117	4.1	36	1153	280	62	R5
087A-4	1120	4.1	36	1156	280	62	R5
105A-4	1295	4.1	36	1331	435	67	R6
145A-4	1440	4.1	36	1476	435	67	R6
169A-4	1940	4.1	36	1976	450	67	R7
206A-4	2310	4.1	36	2346	550	67	R7
246A-4	3300	4.1	36	3336	550	65	R8
293A-4	3900	4.1	36	3936	1150	65	R8
363A-4	4800	4.1	36	4836	1150	68	R9
430A-4	6000	4.1	36	6036	1150	68	R9

3AXD00000586715.xls F

Terminal and lead-through data for the power cables

Input, motor, resistor and DC cable lead-throughs, maximum wire sizes (per phase) and terminal screw sizes and tightening torques (*T*) are given below.

Frame size	Cable lead-throughs		L1, L2, L3, T1/U, T2/V, T3/W terminals					Grounding terminals	
	Per cable type	Ø ¹⁾	Max wire size (solid/stranded)	T (Wire screw)		T (Terminal nut)		Max wire size	T
		pcs		mm	mm ²	M...	N·m		
R0	1	30	6/4	²⁾	0.5...0.6	N/A	N/A	TBA	TBA
R1	1	30	6/4	²⁾	0.5...0.6	N/A	N/A	TBA	TBA
R2	1	30	16/16	²⁾	1.2...1.5	N/A	N/A	TBA	TBA
R3	1	30	35/25	²⁾	2.5...4.1	N/A	N/A	TBA	TBA
R5	1	32	70	M8	5.6	N/A	N/A	35	2.9
R6	1	45	150	M10	30	N/A	N/A	185	9.8
R7	1	54	240	M10	40	N/A	N/A	185	9.8
R8	2	45	2×150	M10	40	M10	24	2×185	9.8
R9	2	54	2×240	M12	70	M10	24	2×185	9.8

3AXD00000586715.xls F

¹⁾ Maximum cable diameter accepted. For the lead-through plate hole diameters, see chapter [Dimension drawings](#) on page 161.

²⁾ See the table below.

Frame size	Screwdrivers for the terminals of the main circuit
R0	Slot 4,5 mm
R1	Slot 4,5 mm
R2	PH1
R3	PH2

3AXD00000586715.xls F

Frame size	Cable lead-throughs		R+, R-, UDC+ and UDC- terminals				
	Per cable type	Ø ¹⁾	Max wire size (solid/stranded)	T (Wire screw)		T (Terminal nut)	
		pcs		mm	mm ²	M...	N·m
R0	1	23	6/4	²⁾	0.5...0.6	N/A	N/A
R1	1	23	6/4	²⁾	0.5...0.6	N/A	N/A
R2	1	23	16/16	²⁾	1.2...1.5	N/A	N/A
R3	1	23	35/25	²⁾	2.5...4.1	N/A	N/A
R5	1	32	70	M8	5.6	N/A	N/A
R6	1	45	150	M8	20	N/A	N/A
R7	1	54	240	M10	30	N/A	N/A
R8	2	45	2×150	M10	40	M10	24
R9	2	54	2×240	M12	70	M10	24

3AXD00000586715.xls F

¹⁾ Maximum cable diameter accepted. For the lead-through plate hole diameters, see chapter [Dimension drawings](#) on page 161.

²⁾ See the table above.

Terminal and lead-through data for the control cables

Control cable lead-throughs, wire sizes and tightening torques (T) are given below.

Frame size	Cable lead-throughs		Control cable entries and terminal sizes			
	Holes pcs	Max cable size mm	+24V, DCOM, DGND, EXT. 24V		DI, AI/O, AGND, RO, STO terminals	
			Wire size mm ²	T N·m	Wire size mm ²	T N·m
R0	3	17	0.2...2.5	0.5...0.6	0.14...1.5	0.5...0.6
R1	3	17	0.2...2.5	0.5...0.6	0.14...1.5	0.5...0.6
R2	3	17	0.2...2.5	0.5...0.6	0.14...1.5	0.5...0.6
R3	3	17	0.2...2.5	0.5...0.6	0.14...1.5	0.5...0.6
R5	2	22	0.14...2.5	0.5...0.6	0.14...2.5	0.5...0.6
R6	4	17	0.14...2.5	0.5...0.6	0.14...2.5	0.5...0.6
R7	4	17	0.14...2.5	0.5...0.6	0.14...2.5	0.5...0.6
R8	4	17	0.14...2.5	0.5...0.6	0.14...2.5	0.5...0.6
R9	4	17	0.14...2.5	0.5...0.6	0.14...2.5	0.5...0.6

3AXD00000586715.xls F

Electrical power network specification

Voltage (U_1)	380 ... 480 V AC 3-phase +10%...-15%
Network type	Public low voltage networks. TN (grounded), IT (ungrounded) and corner-grounded TN systems. See section Checking the compatibility with IT (ungrounded) and corner-grounded TN systems on page 71.
Rated conditional short-circuit current (IEC 61439-1)	65 kA when protected by fuses given in the fuse tables
Frequency	47 to 63 Hz
Imbalance	Max. \pm 3% of nominal phase to phase input voltage
Fundamental power factor ($\cos \phi_1$)	0.98 (at nominal load)

Motor connection data

Motor types	Asynchronous AC induction motors and permanent magnet motors
Voltage (U_2)	0 to U_1 , 3-phase symmetrical, U_{\max} at the field weakening point
Short-circuit protection (IEC/EN 61800-5-1, UL 508C)	The motor output is short-circuit proof by IEC/EN 61800-5-1 and UL 508C.
Frequency	0...500 Hz
Frequency resolution	0.01 Hz
Current	See section Ratings on page 128.
Switching frequency	2 kHz, 4 kHz, 8 kHz, 12 kHz (depends on the frame and parameter settings)

Maximum recommended motor cable length**Operational functionality and motor cable length**

The drive is designed to operate with optimum performance with the following maximum motor cable lengths.

Note: Conducted and radiated emissions of these motor cable lengths do not comply with EMC requirements.

Frame size	Maximum motor cable length, 4 kHz			
	Scalar control		Vector control	
	m	ft	m	ft
Standard drive, without external options				
R0	100	330	100	330
R1	100	330	100	330
R2	200	660	200	660
R3	300	990	300	990
R5	300	990	300	990
R6	300	990	300	990
R7	300	990	300	990
R8	300	990	300	990
R9	300	990	300	990

Note: In multimotor systems, the calculated sum of all motor cable lengths must not exceed the maximum motor cable length given in the table.

EMC compatibility and motor cable length

To comply with the European EMC Directive (standard EN 61800-3), use the following maximum motor cable lengths at 4 kHz switching frequency.

Frame size	Maximum motor cable length, 4 kHz	
	m	ft
EMC limits for Category C2 ¹⁾ Standard drive with an internal EMC filter. See notes 2, 3 and 5.		
R0	100	330
R1	100	330
R2	100	330
R3	100	330
R5	100	330
R6	150	492
R7	150	492
R8	150	492
R9	150	492
EMC limits for Category C3 ¹⁾ Standard drive with an internal EMC filter. See notes 3 and 4.		
R0	100	330
R1	100	330
R2	100	330
R3	100	330
R5	100	330
R6	150	492
R7	150	492
R8	150	492
R9	150	492

3AXD00000586715.xls F

¹⁾ See the terms in section [Definitions](#) on page 156.

Note 2: Radiated emissions are according to C2 with an internal EMC filter.

Note 3: The internal EMC filter must be connected.

Note 4: Radiated and conducted emissions are according to category C3 with an internal filter and these cable lengths.

Note 5: Categories C1 and C2 meet requirements for connecting equipment to the public low-voltage networks.

Brake resistor connection data

Short-circuit protection

(IEC/EN 61800-5-1, IEC 60439-1, UL 508C)

The brake resistor output is conditionally short-circuit proof by IEC/EN 61800-5-1 and UL 508C. For correct fuse selection, contact your local ABB representative. Rated conditional short-circuit current as defined in IEC 60439-1.

Control connection data

External power supply

Maximum power:

Frames R0...R3: 25 W, 1.04 A at 24 V AC/DC $\pm 10\%$ with an optional module

Frames R5...R9: 36 W, 1.50 A at 24 V AC/DC $\pm 10\%$ as standard

Supplied from an external power supply through optional module CMOD-01 or CMOD-02 with frames R0...R3. With frames R5...R9 no options are needed.

Terminal size:

Frames R0...R3: 0.2...2.5 mm²

Frames R5...R9: 0.14...2.5 mm²

+24 V DC output (Term. 10)

Total load capacity of this outputs is 6.0 W (250 mA / 24 V) minus the power taken by the option modules installed on the board.

Terminal size:

Frames R0...R3: 0.2...2.5 mm²

Frames R5...R9: 0.14...2.5 mm²

Digital inputs DI1...DI6 (Term. 13...18)

Input type: NPN/PNP

Terminal size:

Frames R0...R3: 0.14...1.5 mm²

Frames R5...R9: 0.14...2.5 mm²

DI1...DI5 (Term.13...17)

12/24 V DC logic levels: "0" < 4 V, "1" > 8 V

R_{in} : 2,68 kohm

Hardware filtering: 0.04 ms, digital filtering: 2 ms sampling

DI6 (Term.18)

Can be used as a digital or frequency input.

12/24 V DC logic levels: "0" < 3 V, "1" > 8 V

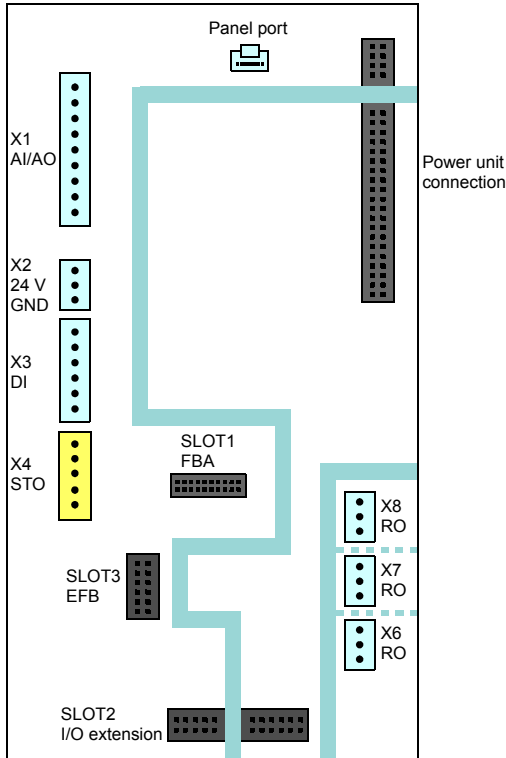
R_{in} : 6.2 kohm



Max. frequency 16 kHz

Symmetrical signal (duty cycle D = 0.50)

Relay outputs RO1...RO3 (Term. 19...27)	<p>250 V AC / 30 V DC, 2 A</p> <p>Terminal size: Frames R0...R3: 0.14...1.5 mm² Frames R5...R9: 0.14...2.5 mm²</p> <p>See sections <i>Isolation areas, R0...R3 (CCU-11)</i>: on page 148 and <i>Isolation areas, R5...R9 (CCU-12)</i>: on page 149.</p>
Analog inputs AI1 and AI2 (Term. 2 and 5)	<p>Current/voltage input mode selected with a dip switch, see page 94.</p> <p>Current input: 0(4)...20 mA, R_{in}: 100 ohm Voltage input: 0(2)...10 V, R_{in}: > 200 kohm</p> <p>Terminal size: Frames R0...R3: 0.14...1.5 mm² Frames R5...R9: 0.14...2.5 mm²</p> <p>Inaccuracy: typical $\pm 1\%$, max. $\pm 1.5\%$ of full scale</p>
Analog outputs AO1 and AO2 (Term. 7 and 8)	<p>Current/voltage output mode for AO1 selected with a dip switch, see page 94.</p> <p>Current output: 0...20 mA, R_{load}: < 500 ohm Voltage input: 0...10 V, R_{load}: > 100 kohm (AO1 only)</p> <p>Terminal size: Frames R0...R3: 0.14...1.5 mm² Frames R5...R9: 0.14...2.5 mm²</p> <p>Inaccuracy: $\pm 1\%$ of full scale (in voltage and current modes)</p>
Reference voltage output for analog inputs +10V DC (Term. 4)	<p>Max. 20 mA output Inaccuracy: $\pm 1\%$</p>
Safe torque off (STO) inputs IN1 and IN2 (Term. 37 and 38)	<p>24 V DC logic levels: "0" < 5 V, "1" > 13 V R_{in}: 2.47 kohm</p> <p>Terminal size: Frames R0...R3: 0.14...1.5 mm² Frames R5...R9: 0.14...2.5 mm²</p>
Control panel - drive connection	EIA-485, male RJ-45 connector, max. cable length 100 m
Control panel - PC connection	USB Type Mini-B, max. cable length 2 m

Isolation areas, R0...R3 (CCU-11):

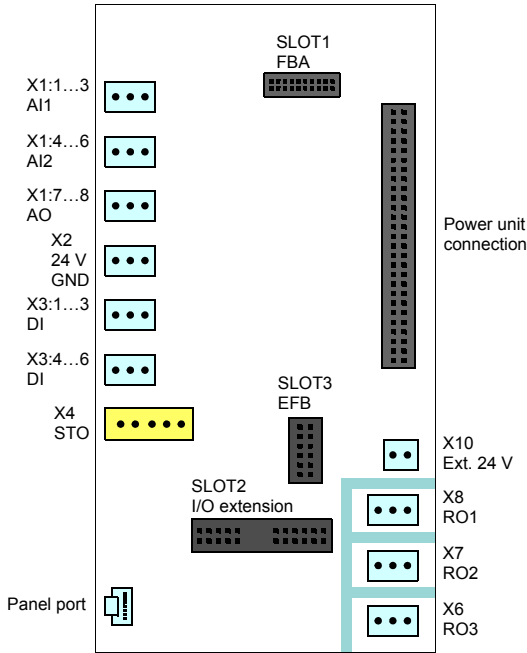



Symbol	Description
	Reinforced insulation (IEC/EN 61800-5-1:2007)
	Functional insulation (IEC/EN 61800-5-1:2007)

Below altitudes 2000 m (6562 ft): The terminals on the control board fulfil the Protective Extra Low Voltage (PELV) requirements (EN 50178): There is adequate insulation between the user terminals which only accept ELV voltages and terminals that accept higher voltages (relay outputs).

Between altitudes 2000 m (6562 ft) ... 4000 m (13123 ft): If you connect higher than ELV voltage to one relay output, no relay output meets the Protective Extra Low Voltage (PELV) requirements (EN 50178), because there is only functional insulation between the individual relay outputs.

Isolation areas, R5...R9 (CCU-12):



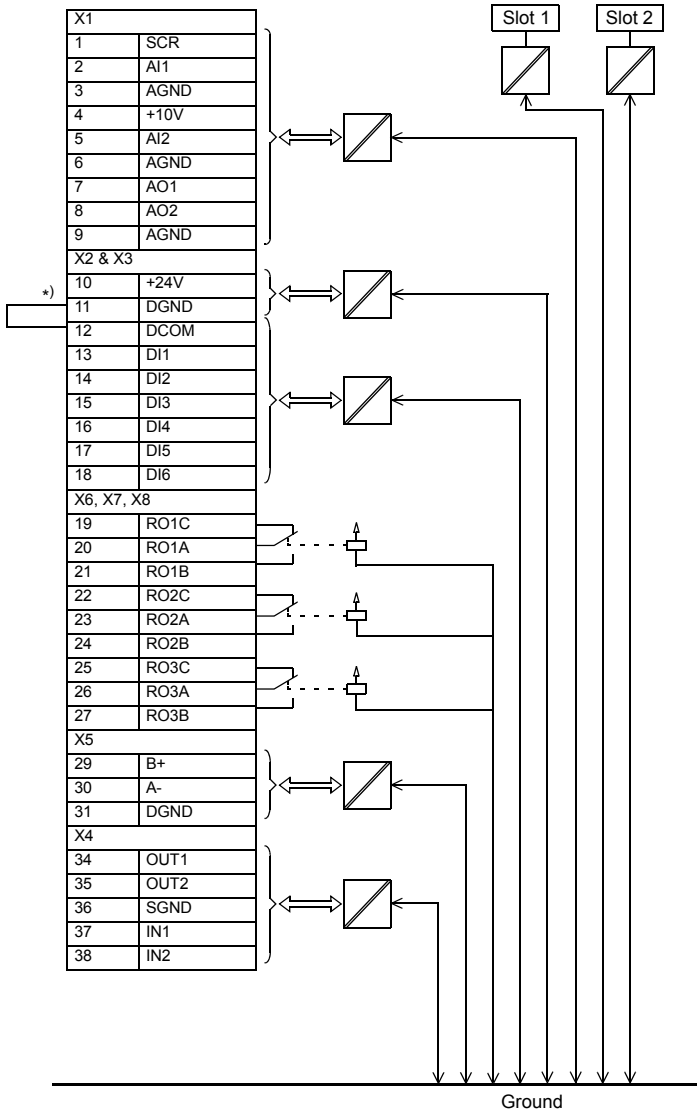
Symbol	Description
	Reinforced insulation (IEC/EN 61800-5-1:2007)

The terminals on the control board fulfil the Protective Extra Low Voltage (PELV) requirements (EN 50178): There is reinforced insulation between the user terminals which only accept ELV voltages and terminals that accept higher voltages (relay outputs).

Note: There is reinforced insulation also between the individual relay outputs.

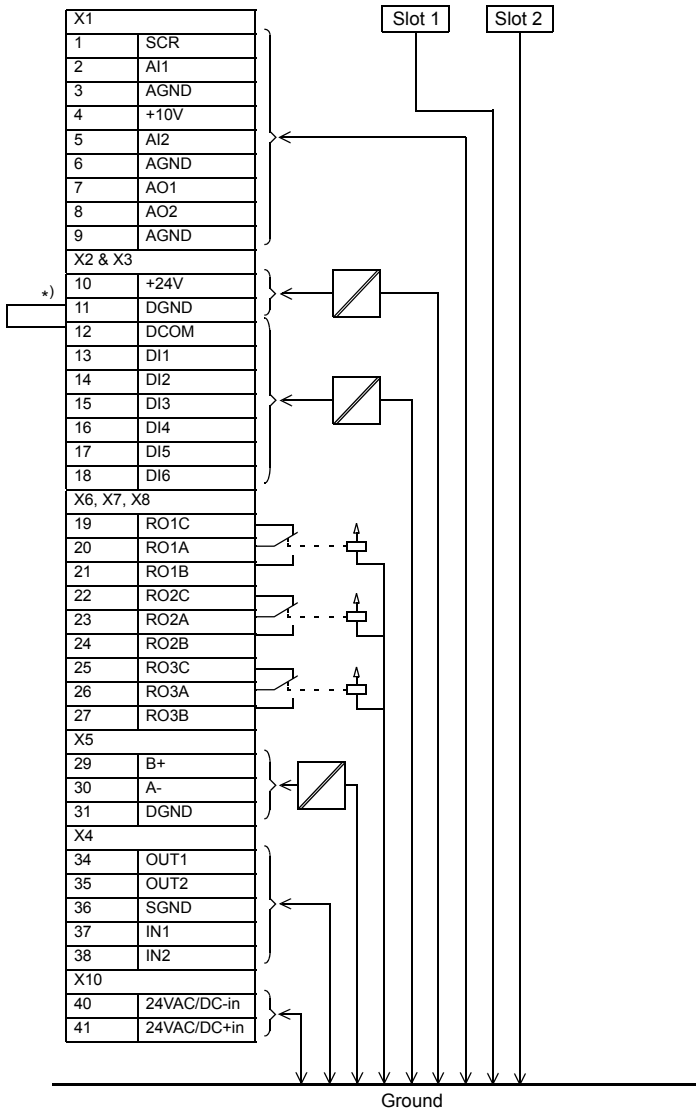
Note: There is reinforced insulation on the power unit.

Grounding of frames R0...R3 (CCU-11)



*) Jumper installed at factory

Grounding of frames R5...R9 (CCU-12)



*) Jumper installed at factory

Auxiliary circuit power consumption

Maximum external power supply:

Frames R0...R3: 25 W, 1.04 A at 24 V AC/DC (with optional modules CMOD-01, CMOD-02)

Frames R5...R9: 36 W, 1.50 A at 24 V AC/DC (as standard, terminals 40...41)

Efficiency

Approximately 98% at nominal power level

Degree of protection

IP21 (UL type 1)

IP55 (UL type 12)

Ambient conditions

Environmental limits for the drive are given below. The drive is to be used in a heated, indoor, controlled environment. All printed circuit boards are conformal coated.

	Operation installed for stationary use	Storage in the protective package	Transportation in the protective package
Installation site altitude	<ul style="list-style-type: none"> 0 to 4000 m (13123 ft) above sea level ¹⁾ 0 to 2000 m (6561 ft) above sea level ²⁾ Above 1000 m (3281 ft), see page 134 .	-	-
Air temperature	-15 to +50 °C (5 to 122 °F). 0 to -15 °C (32 to 5 °F): No frost allowed. See section Ratings .	-40 to +70 °C (-40 to +158 °F)	-40 to +70 °C (-40 to +158 °F)
Relative humidity	5 to 95%	Max. 95%	Max. 95%
	No condensation allowed. Maximum allowed relative humidity is 60% in the presence of corrosive gases.		
Contamination levels (IEC 60721-3-3, IEC 60721-3-2, IEC 60721-3-1)	No conductive dust allowed.		
	Chemical gases: Class 3C2 Solid particles: Class 3S2	Chemical gases: Class 1C2 Solid particles: Class 1S3	Chemical gases: Class 2C2 Solid particles: Class 2S2

Atmospheric pressure	70 to 106 kPa 0.7 to 1.05 atmospheres	70 to 106 kPa 0.7 to 1.05 atmospheres	60 to 106 kPa 0.6 to 1.05 atmospheres															
Vibration (IEC 60068-2)	Max. 1 mm (0.04 in.) (5 to 13.2 Hz), max. 7 m/s ² (23 ft/s ²) (13.2 to 100 Hz) sinusoidal	-	-															
Vibration (ISTA)	-	<u>R0...R5</u> (ISTA 1A): Displacement, 25 mm peak to peak, 14200 vibratory impacts <u>R6...R9</u> (ISTA 3E): Random, overall Grms level of 0.52																
Shock/Drop (ISTA)	Not allowed	<u>R0...R5</u> (ISTA 1A): Drop, 6 faces, 3 edges and 1 corner <table border="1"> <thead> <tr> <th>Weight range</th> <th>mm</th> <th>in</th> </tr> </thead> <tbody> <tr> <td>0...10 kg (0...22 lb)</td> <td>760</td> <td>29.9</td> </tr> <tr> <td>10...19 kg (22...42 lb)</td> <td>610</td> <td>24.0</td> </tr> <tr> <td>19...28 kg (42...62 lb)</td> <td>460</td> <td>18.1</td> </tr> <tr> <td>28...41 kg (62...90 lb)</td> <td>340</td> <td>13.4</td> </tr> </tbody> </table> <u>R6...R9</u> (ISTA 3E): Shock, incline impact: 1.1 m/s (3.61 ft/s) Shock, rotational edge drop: 200 mm (7.9 in)		Weight range	mm	in	0...10 kg (0...22 lb)	760	29.9	10...19 kg (22...42 lb)	610	24.0	19...28 kg (42...62 lb)	460	18.1	28...41 kg (62...90 lb)	340	13.4
Weight range	mm	in																
0...10 kg (0...22 lb)	760	29.9																
10...19 kg (22...42 lb)	610	24.0																
19...28 kg (42...62 lb)	460	18.1																
28...41 kg (62...90 lb)	340	13.4																

¹⁾ For neutral-grounded TN and TT systems and non-corner grounded IT systems.
 See also section [Limiting relay output maximum voltages at high installation altitudes](#) on page 68.

²⁾ For corner-grounded TN, TT and IT systems

Materials

Drive enclosure

- PC/ABS 3 mm, color NCS 1502-Y (RAL 9002 / PMS 1C Cool Grey) and RAL 9017
- PC+10%GF 3.0mm, Color RAL 9017 (in frames R0...R3 only)
- hot-dip zinc coated steel sheet 1.5 to 2.5 mm, thickness of coating 100 micrometers, color NCS 1502-Y

Package

Plywood, cardboard and moulded pulp. Foam cushions PP-E, bands PP.

Disposal

The main parts of the drive can be recycled to preserve natural resources and energy. Product parts and materials should be dismantled and separated.

Generally all metals, such as steel, aluminum, copper and its alloys, and precious metals can be recycled as material. Plastics, rubber, cardboard and other packaging material can be used in energy recovery. Printed circuit boards and DC capacitors (C1-1 to C1-x) need selective treatment according to IEC 62635 guidelines. To aid recycling, plastic parts are marked with an appropriate identification code.

Contact your local ABB distributor for further information on environmental aspects and recycling instructions for professional recyclers. End of life treatment must follow international and local regulations.

Applicable standards

The drive complies with the following standards. The compliance with the European Low Voltage Directive is verified according to standard EN 61800-5-1.

EN 60204-1:2006 + AC:2010

Safety of machinery. Electrical equipment of machines. Part 1: General requirements. Provisions for compliance:
The final assembler of the machine is responsible for installing
- emergency-stop device
- supply disconnecting device.

IEC/EN 60529:1992 + A2: 2013

Degrees of protection provided by enclosures (IP code)

EN 61000-3-12:2011

Electromagnetic compatibility (EMC) - Part 3-12: Limits - Limits for harmonic currents produced by equipment connected to public low-voltage systems with input current

IEC/EN 61800-3:2004 + A1:2012

Adjustable speed electrical power drive systems. Part 3: EMC requirements and specific test methods

IEC/EN 61800-5-1:2007

Adjustable speed electrical power drive systems. Part 5-1: Safety requirements – electrical, thermal and energy

CE marking

A CE mark is attached to the drive to verify that the drive follows the provisions of the European Low Voltage, EMC, RoHS and WEEE Directives. The CE marking also verifies that the drive, in regard to its safety functions (such as Safe torque off), conforms with the Machinery Directive as a safety component.

■ Compliance with the European Low Voltage Directive

The compliance with the European Low Voltage Directive has been verified according to standard EN 61800-5-1:2007. Declaration (3AXD10000302784) is available on the Internet. See section [Document library on the Internet](#) on the inside of the back cover.

■ Compliance with the European EMC Directive

The EMC Directive defines the requirements for immunity and emissions of electrical equipment used within the European Union. The EMC product standard (EN 61800-3:2004 + A1:2012) covers requirements stated for drives. See section [Compliance with the EN 61800-3:2004 + A1:2012](#) below. The declaration (3AXD10000302784) is available on the Internet. See section [Document library on the Internet](#) on the inside of the back cover.

■ Compliance with the European ROHS Directive 2011/65/EU

The RoHS Directive defines the restriction of the use of certain hazardous substances in electrical and electronic equipment. The declaration (3AXD10000302785) is available on the Internet. See section [Document library on the Internet](#) on the inside of the back cover.

■ Compliance with the European WEEE Directive 2002/96/EC

The WEEE Directive defines the regulated disposal and recycling of electric and electrical equipment.

■ Compliance with the European Machinery Directive 2006/42/EC 2nd Edition – June 2010

The drive is a machinery component that can be integrated into a wide range of machinery categories as specified in European Commission's *Guide to application of the Machinery Directive 2006/42/EC 2nd Edition – June 2010*. The declaration (3AXD10000302783) is available on the Internet. See section [Document library on the Internet](#) on the inside of the back cover.

Validating the operation of the Safe torque off function

See chapter [Safe torque off function](#) on page 187.

Compliance with the EN 61800-3:2004 + A1:2012

■ Definitions

EMC stands for **E**lectromagnetic **C**ompatibility. It is the ability of electrical/electronic equipment to operate without problems within an electromagnetic environment. Likewise, the equipment must not disturb or interfere with any other product or system within its locality.

First environment includes establishments connected to a low-voltage network which supplies buildings used for domestic purposes.

Second environment includes establishments connected to a network not directly supplying domestic premises.

Drive of category C1: drive of rated voltage less than 1000 V and intended for use in the first environment.

Drive of category C2: drive of rated voltage less than 1000 V and intended to be installed and started up only by a professional when used in the first environment.

Note: A professional is a person or organization having necessary skills in installing and/or starting up power drive systems, including their EMC aspects.

Drive of category C3: drive of rated voltage less than 1000 V, intended for use in the second environment and not intended for use in the first environment.

■ Category C1

The emission limits are complied with the following provisions:

1. The optional EMC filter is selected according to the ABB documentation and installed as specified in the EMC filter manual.
2. The motor and control cables are selected as specified in this manual.
3. The drive is installed according to the instructions given in this manual.
4. For the maximum motor cable length with 4 kHz switching frequency, see page [144](#).

WARNING! In a domestic environment, this product may cause radio interference, in which case supplementary mitigation measures may be required.

■ Category C2

The emission limits are complied with the following provisions:

1. The motor and control cables are selected as specified in this manual.
2. The drive is installed according to the instructions given in this manual.
3. For the maximum motor cable length with 4 kHz switching frequency, see page [144](#).

WARNING! The drive may cause radio interference if used in residential or domestic environment. The user is required to take measures to prevent interference, in association to the requirements for the CE compliance listed above, if necessary.

Note: Do not install a drive with the internal EMC filter connected on IT (ungrounded). The supply network becomes connected to ground potential through the internal EMC filter capacitors which may cause danger or damage to the drive. For disconnecting the EMC filter see page [72](#).

Note: Do not install a drive with internal EMC filter connected on corner-grounded TN systems; otherwise the drive will be damaged. For disconnecting the internal EMC filter see page [72](#).

■ Category C3

The drive complies with the standard with the following provisions:

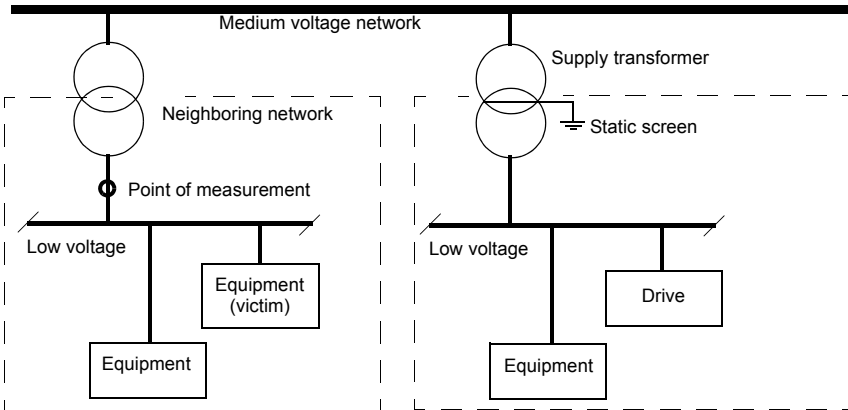
1. The motor and control cables are selected as specified in this manual.
2. The drive is installed according to the instructions given in this manual.
3. For the maximum motor cable length with 4 kHz switching frequency, see page [144](#).

WARNING! A drive of category C3 is not intended to be used on a low-voltage public network which supplies domestic premises. Radio frequency interference is expected if the drive is used on such a network.

■ Category C4

If the provisions under [Category C3](#) cannot be met, the requirements of the standard can be met as follows:

1. It is ensured that no excessive emission is propagated to neighboring low-voltage networks. In some cases, the inherent suppression in transformers and cables is sufficient. If in doubt, the supply transformer with static screening between the primary and secondary windings can be used.



2. An EMC plan for preventing disturbances is drawn up for the installation. A template is available from the local ABB representative.
3. The motor and control cables are selected as specified in this manual.
4. The drive is installed according to the instructions given in this manual.

WARNING! A drive of category C4 is not intended to be used on a low-voltage public network which supplies domestic premises. Radio frequency interference is expected if the drive is used on such a network.

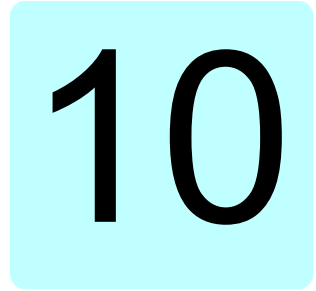
EAC marking

EAC marking is required in Russia, Belarus and Kazakhstan. The EAC certificate of conformity (3AXD10000312900) is available on the Internet. See section [Document library on the Internet](#) on the inside of the back cover.

Disclaimer

The manufacturer shall have no obligation with respect to any product which (i) has been improperly repaired or altered; (ii) has been subjected to misuse, negligence or

accident; (iii) has been used in a manner contrary to the manufacturer's instructions; or (iv) has failed as a result of ordinary wear and tear.



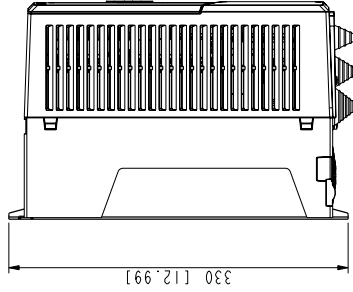
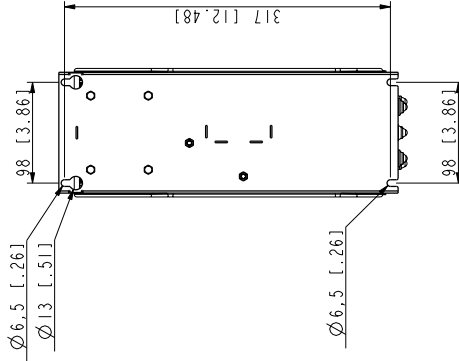
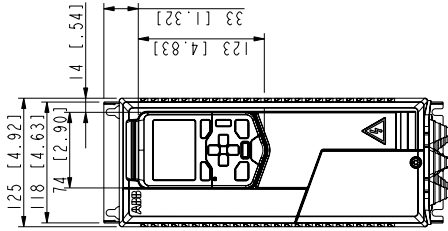
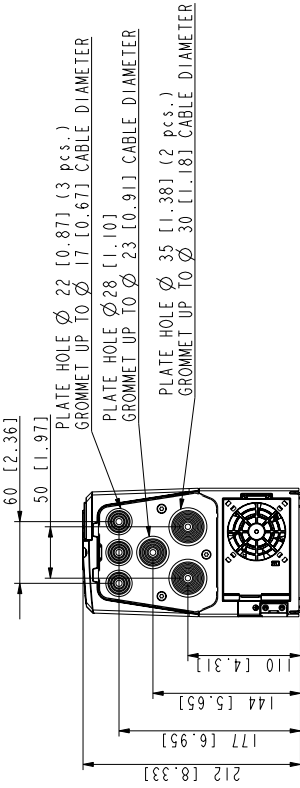
Dimension drawings

Contents of this chapter

This chapter shows the dimension drawings of the ACS580. The dimensions are given in millimeters and [inches].

Frame R0, IP21

first angle projection. original drawing made with PROE/INVENTOR. set the correct scale factor when cooling dimensions after UMS/JAR conversion.

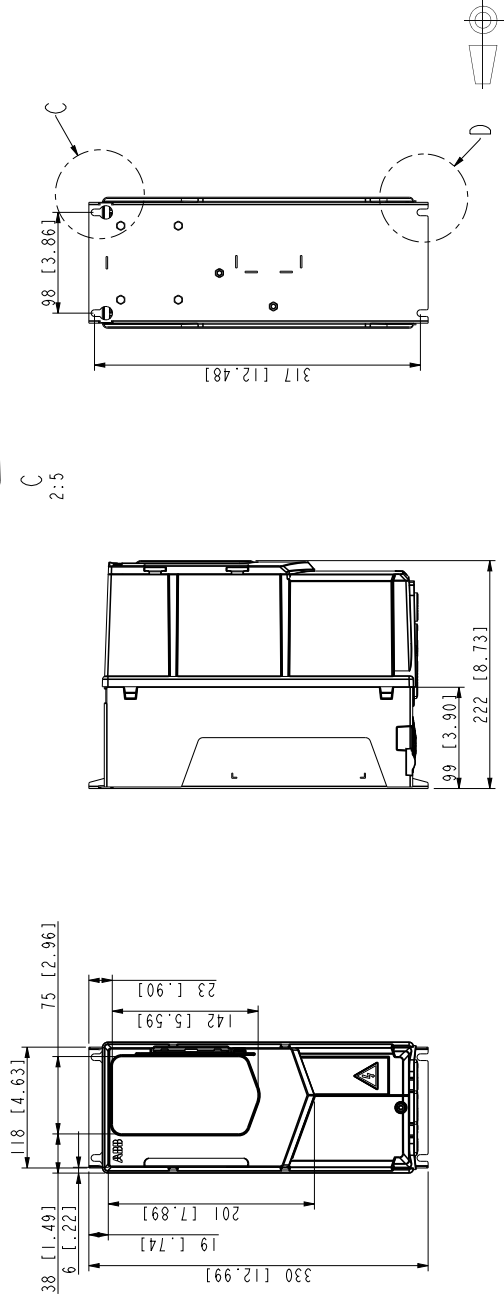
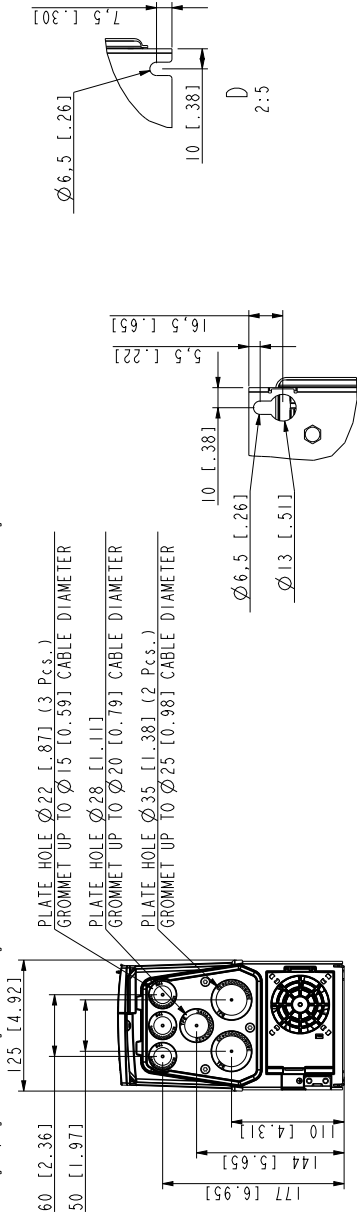


3AXD10000257110

Frame R0, IP55

First angle projection. Original drawing made with 3D CAD. Set the correct scale factor when adding dimensions after DWG/DXF conversion.

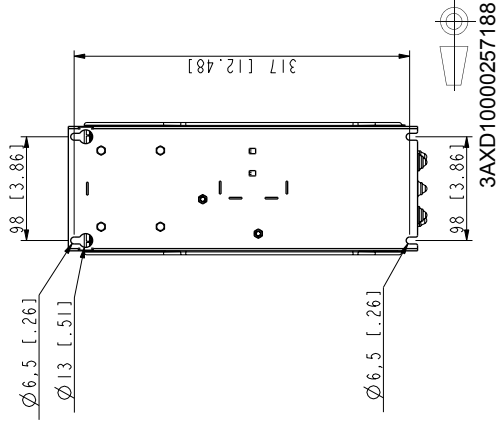
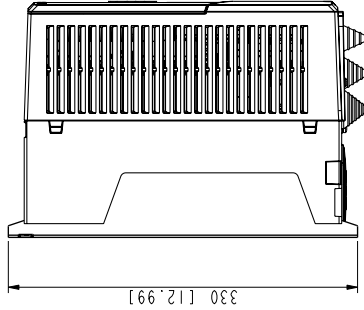
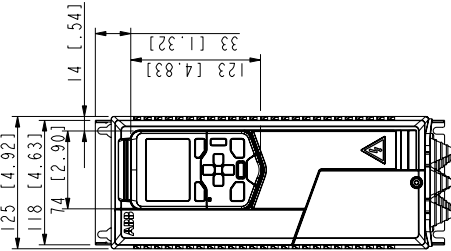
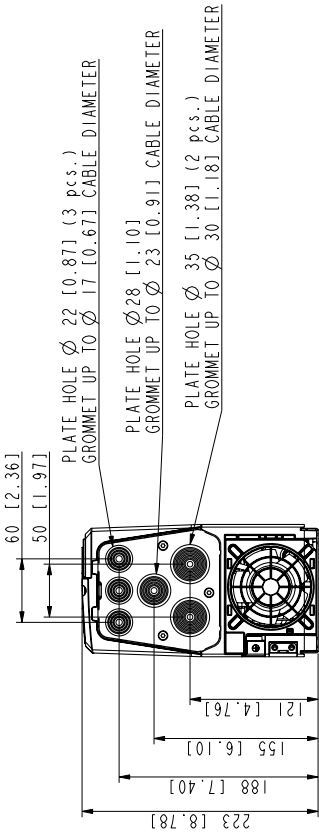
IP55



3AXD10000341562

Frame R1, IP21

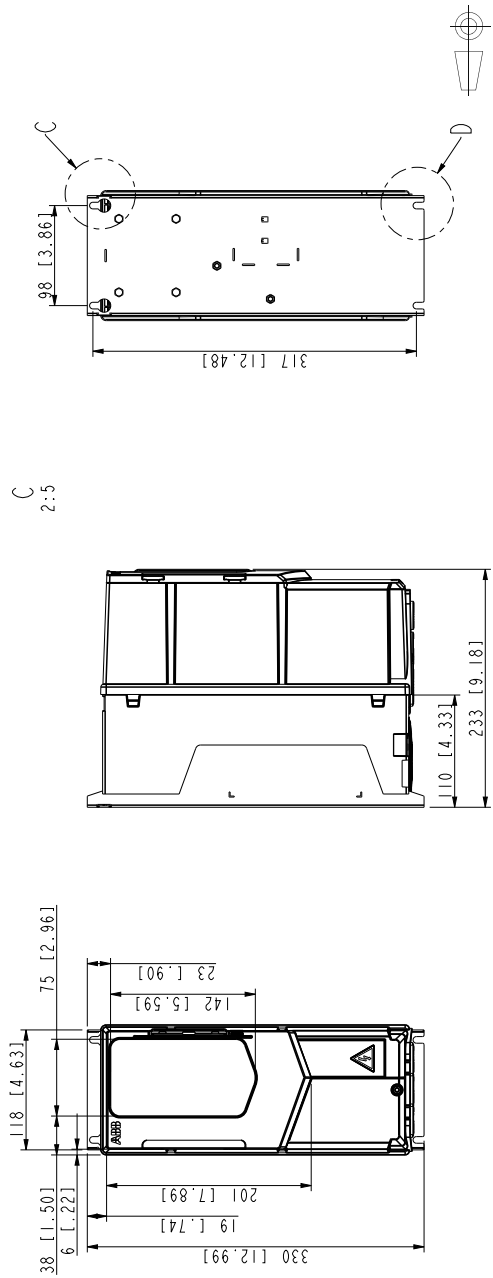
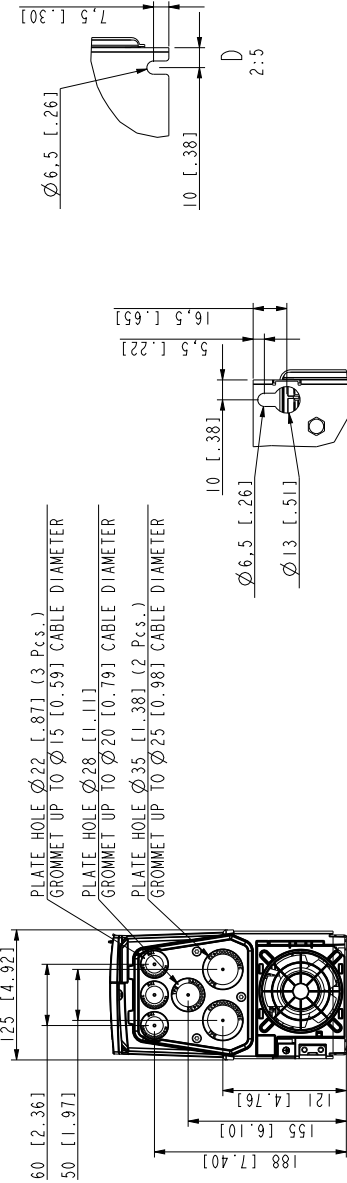
First angle projection. Original drawing made with ProENGINEER. Set the correct scale factor when adding dimensions after DMG/DMF conversion.



Frame R1, IP55

IP55

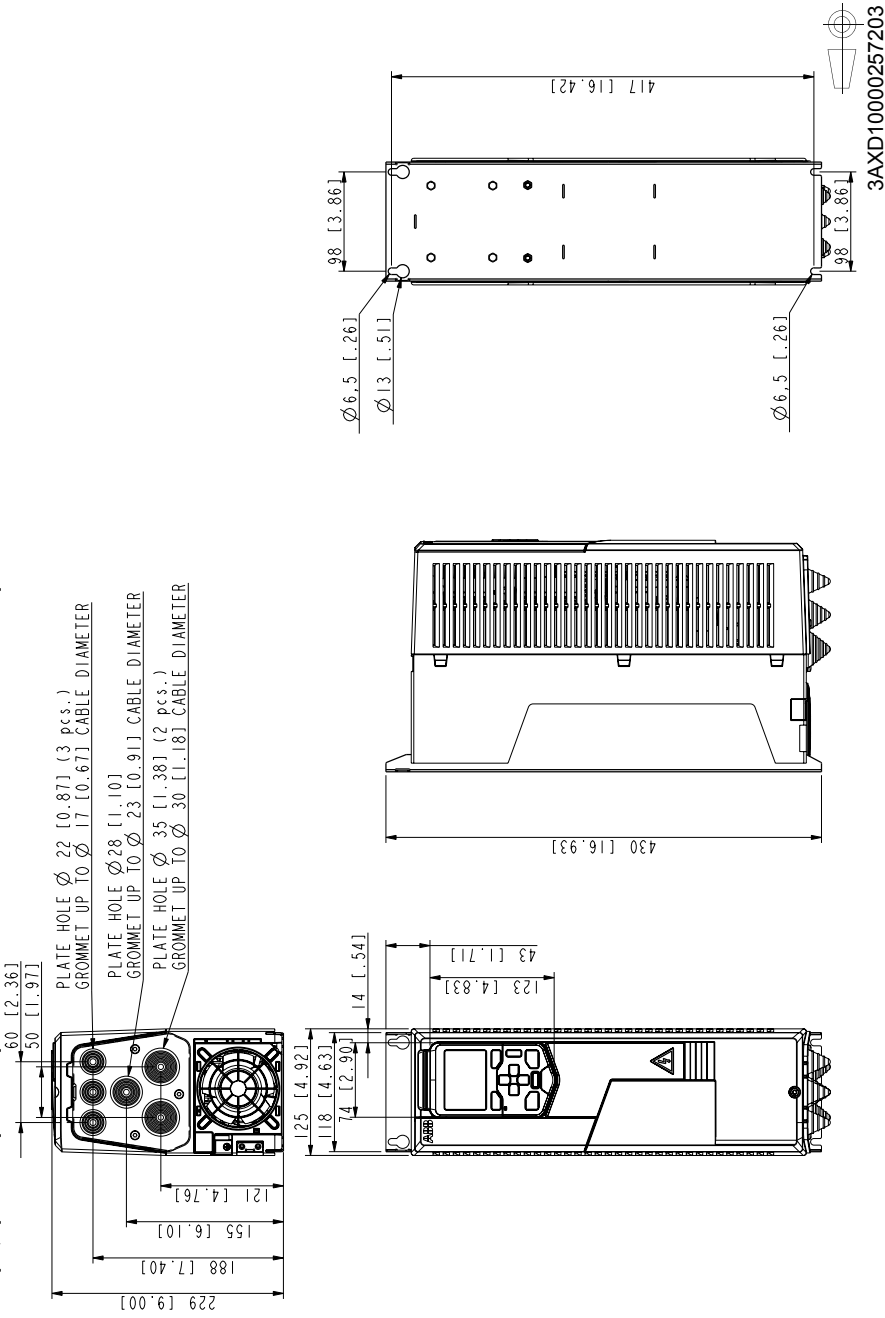
First angle projection. Original drawing made with 3D CAD. Set the correct scale factor when adding dimensions after DWG/DXF conversion.



3AXD1000336766

Frame R2, IP21

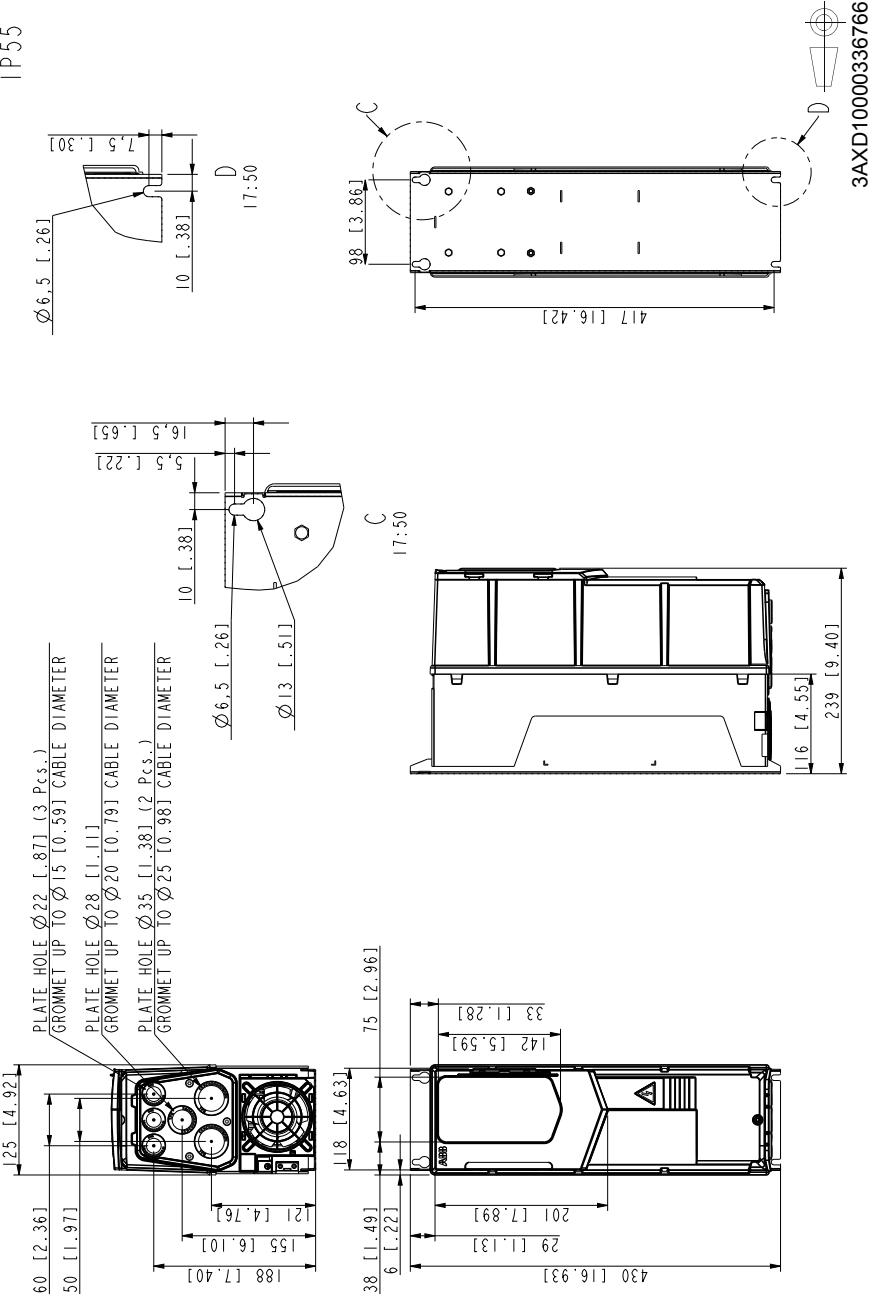
First angle projection. Original drawing made with PRO/ENGINEER. Set the correct scale factor when adding dimensions after DIM/DAI conversion.



Frame R2, IP55

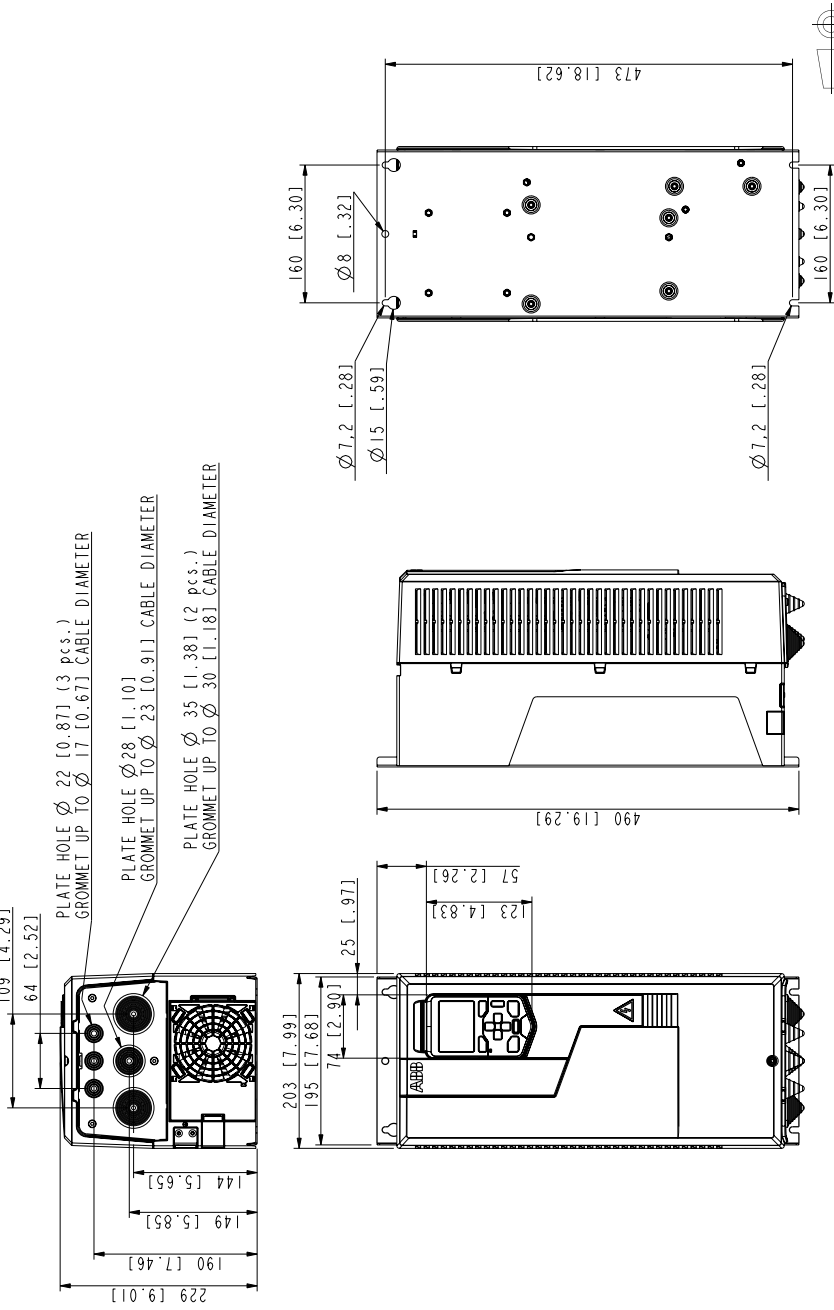
IP55

First angle projection. Original drawing made with 3D CAD. Set the correct scale factor when adding dimensions after DMG/DXF conversion.



Frame R3, IP21

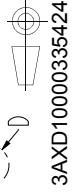
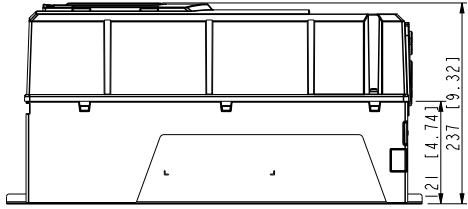
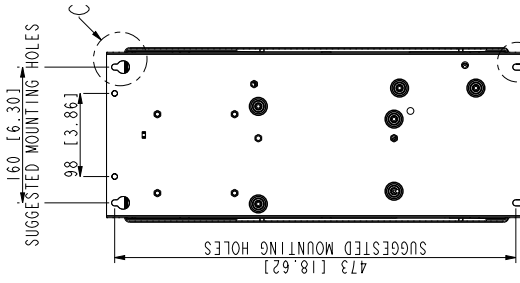
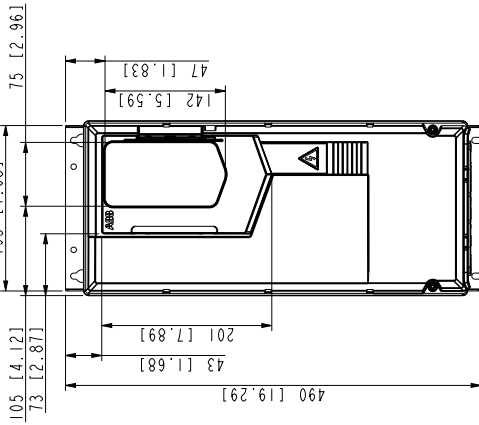
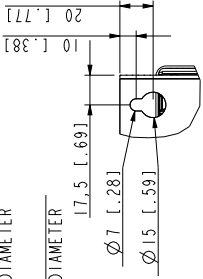
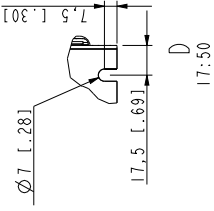
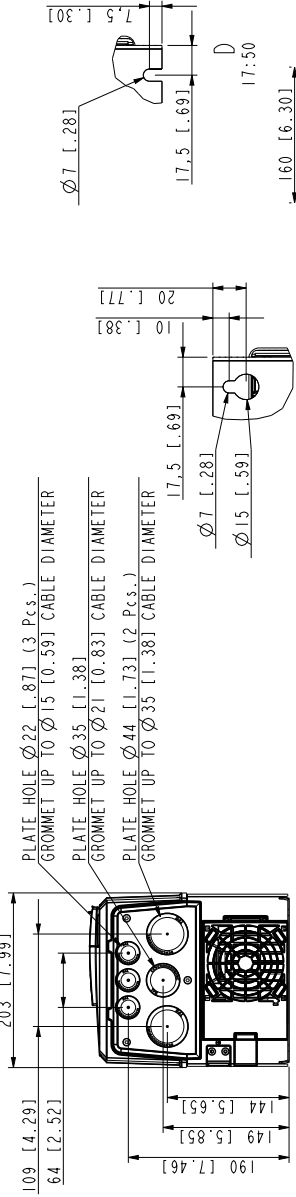
First angle projection. Original drawing made with Pro/ENGINEER. Set the correct scale factor when adding dimensions after DMG/DXF conversion.



Frame R3, IP55

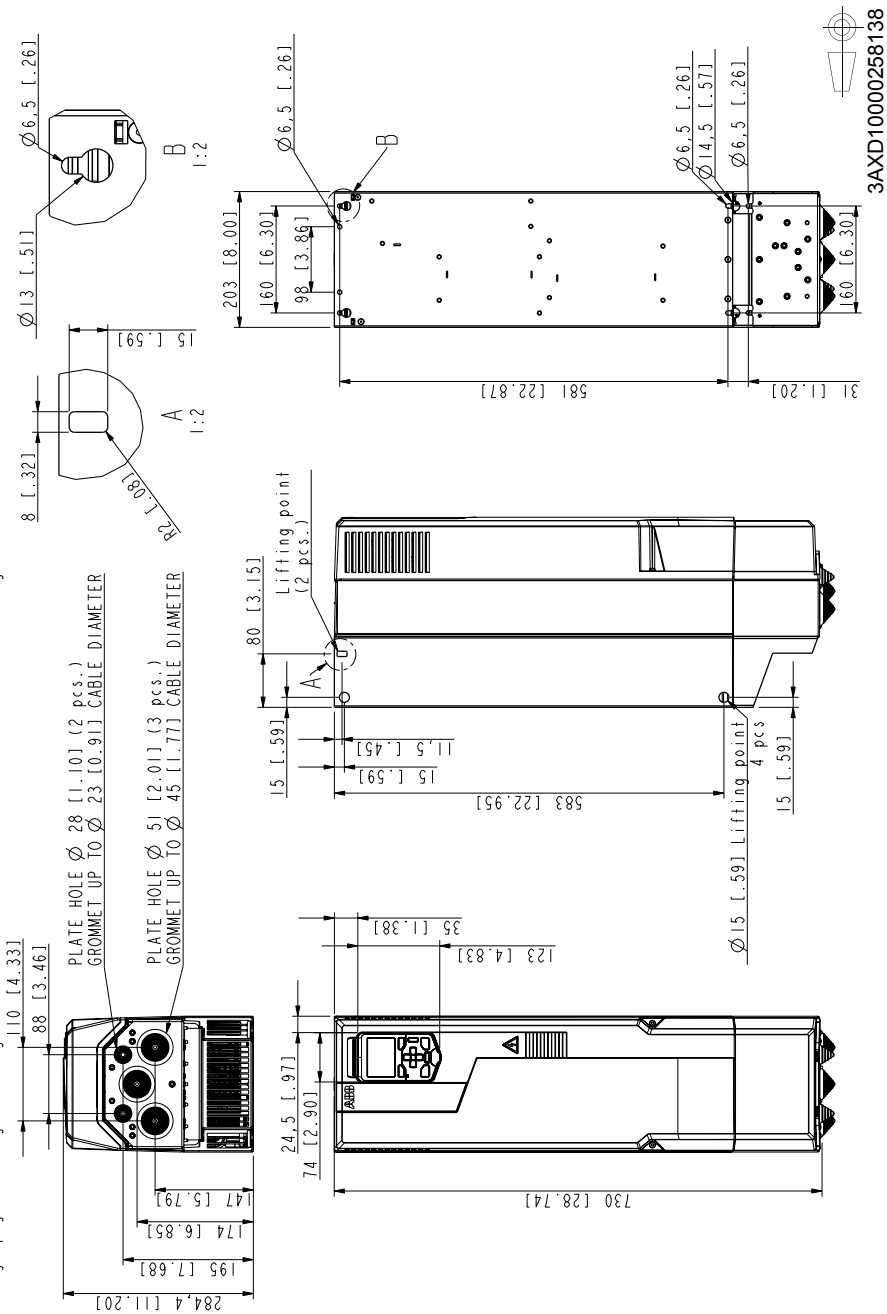
First angle projection. Original drawing made with 3D CAD. Set the correct scale factor when adding dimensions after DWG/DXF conversion.

IP55



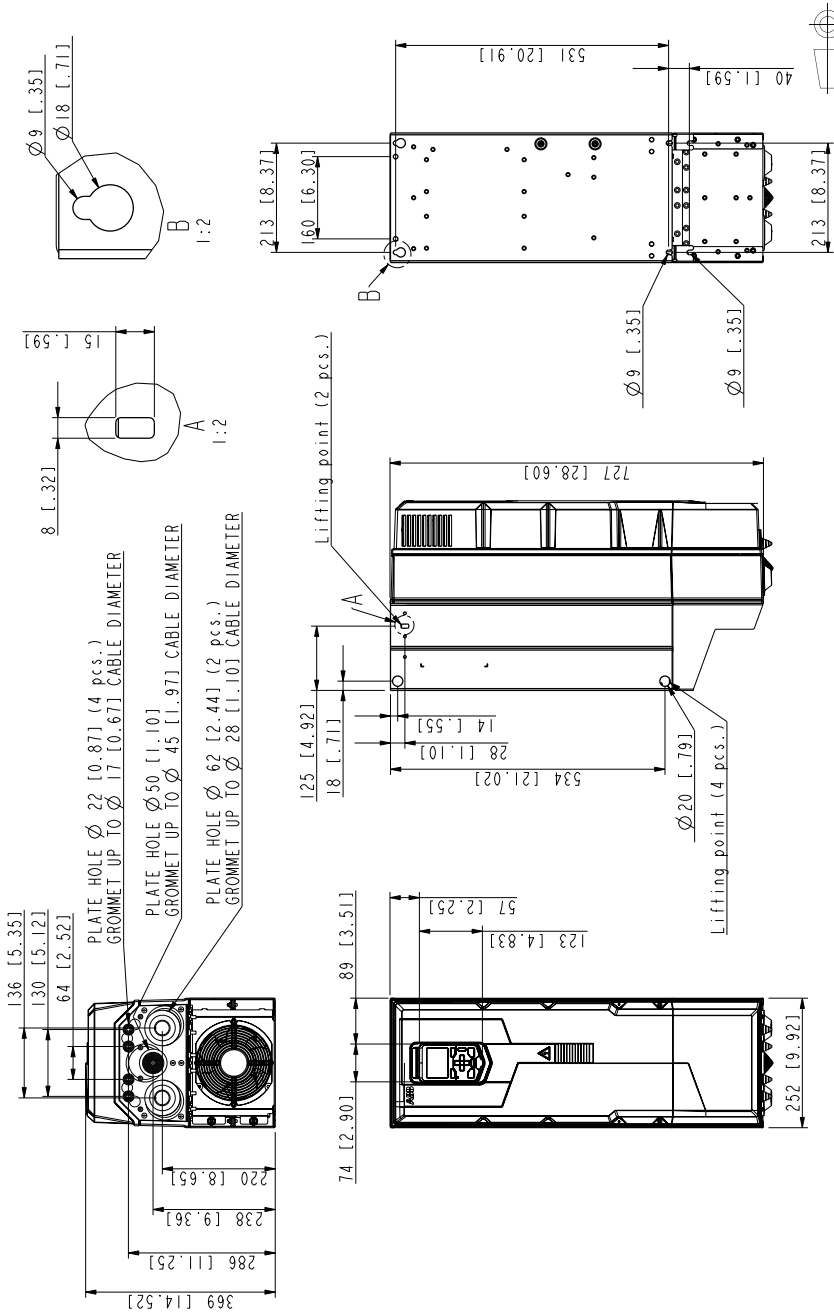
Frame R5, IP21

First angle projection. Original drawing made with Pro/ENGINEER. Set the correct scale factor when adding dimensions after DMG/DMF conversion.



Frame R6, IP21

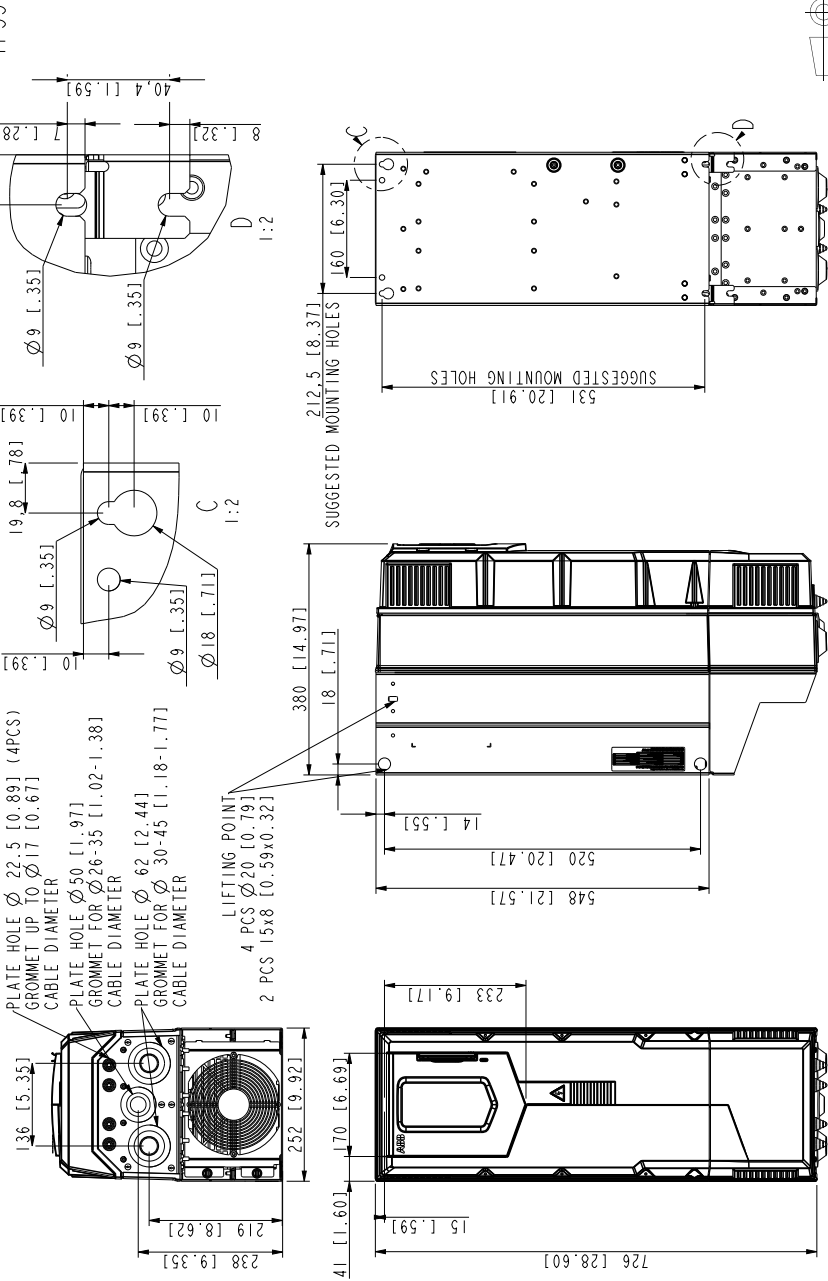
First angle projection. Original drawing made with Pro/ENGINEER. Set the correct scale factor when adding dimensions after DWG/DXF conversion.



3AXD10000258705

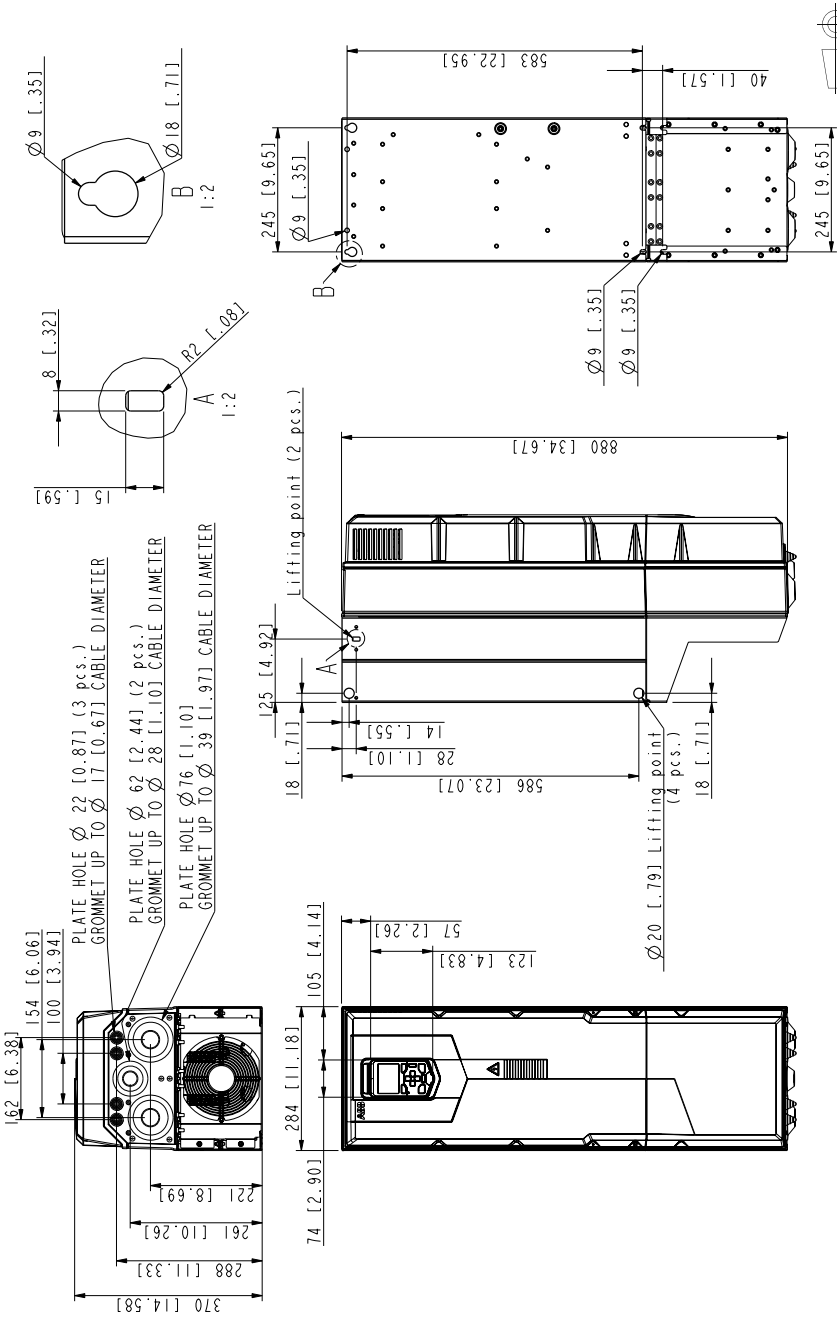
Frame R6, IP55

First angle projection. Original drawing made with 3D CAD. Set the correct scale factor when adding dimensions after DWG/DXF conversion. IP55



Frame R7, IP21

First angle projection. Original drawing made with Pro/ENGINEER. Set the correct scale factor when adding dimensions after DWG/DXF conversion.

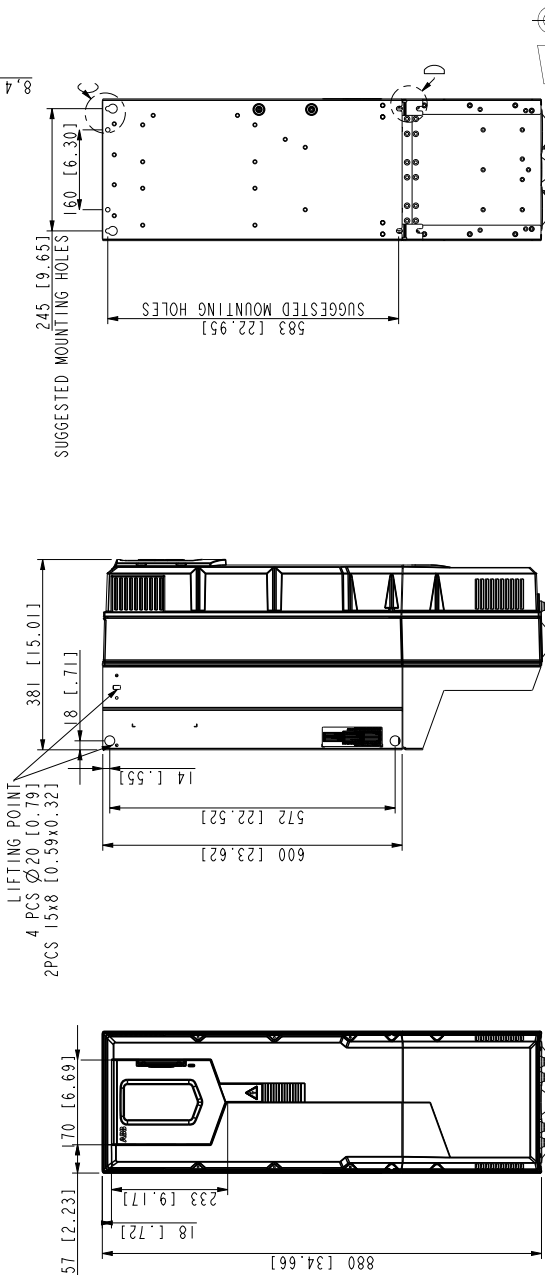
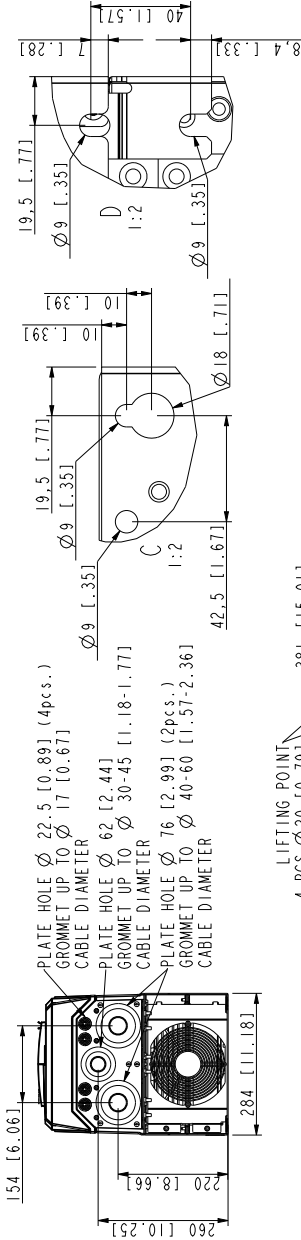


3AXD1000258995

Frame R7, IP55

First angle projection. Original drawing made with 3D CAD. Set the correct scale factor when adding dimensions after DWG/DXF conversion.

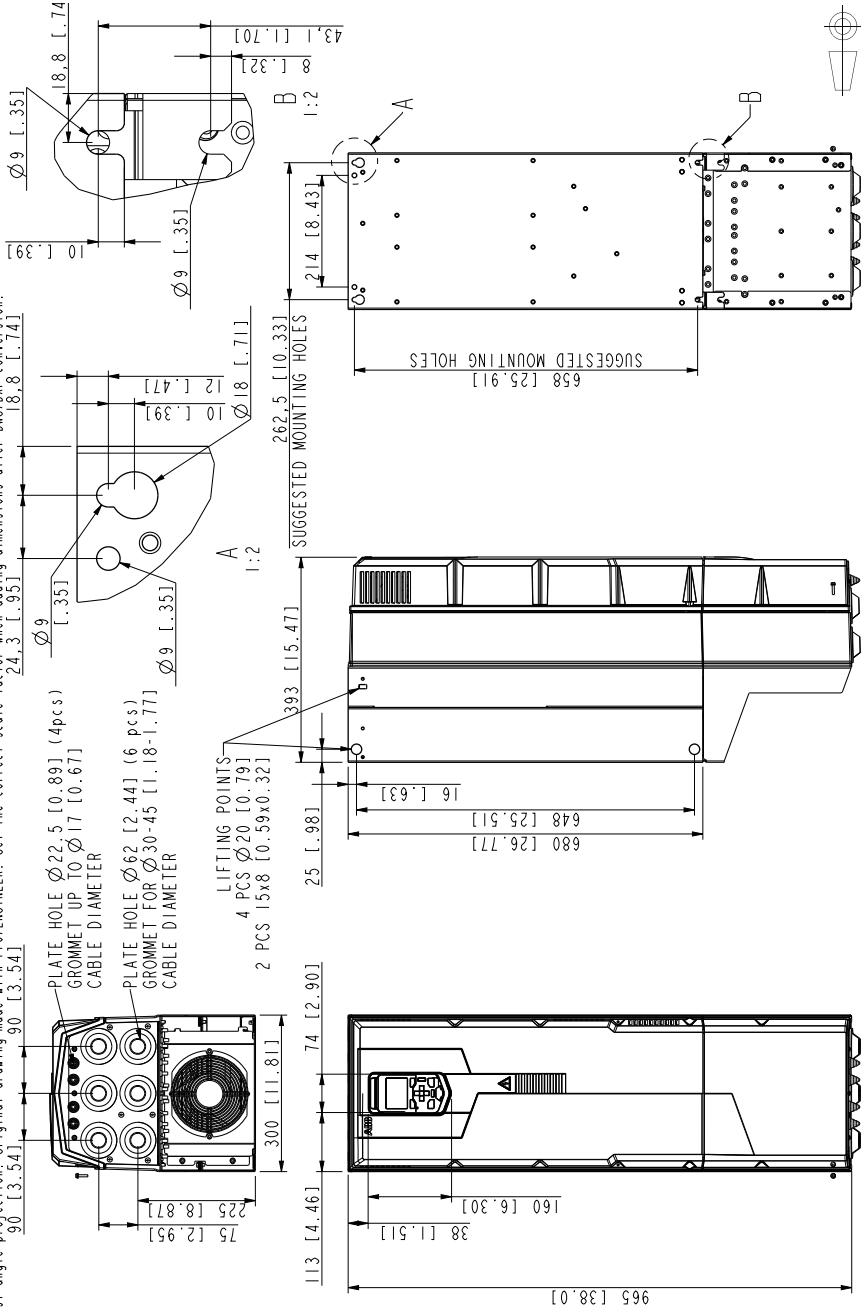
IP55



3AXD10000330932

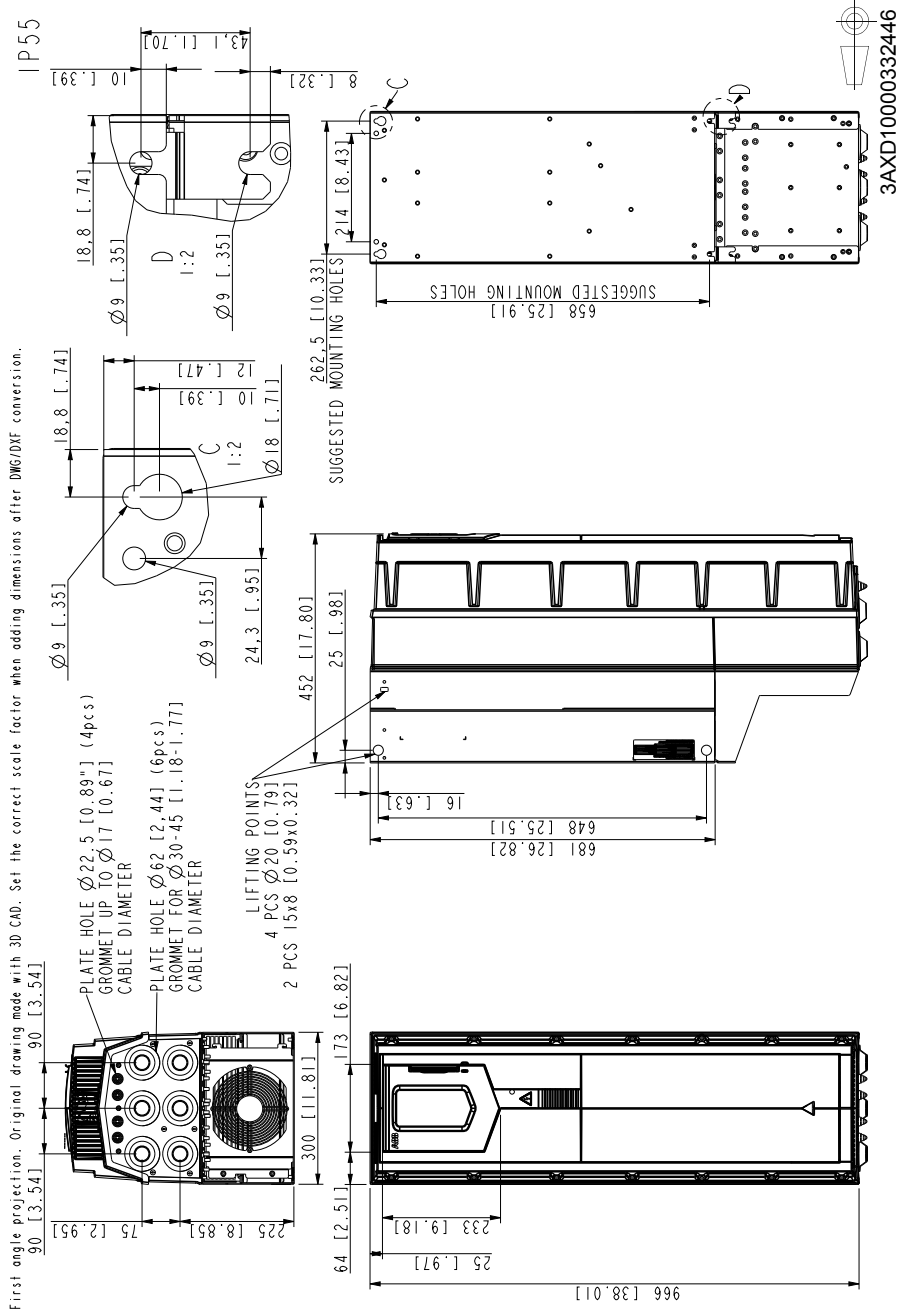
Frame R8, IP21

First angle projection. Original drawing made with Pro/ENGINEER. Set the correct scale factor when adding dimensions after DMG/DWG conversion.
 90 [3.54] 90 [3.54] 24,3 [0.95] 18,8 [0.74]



3AXD10000287670

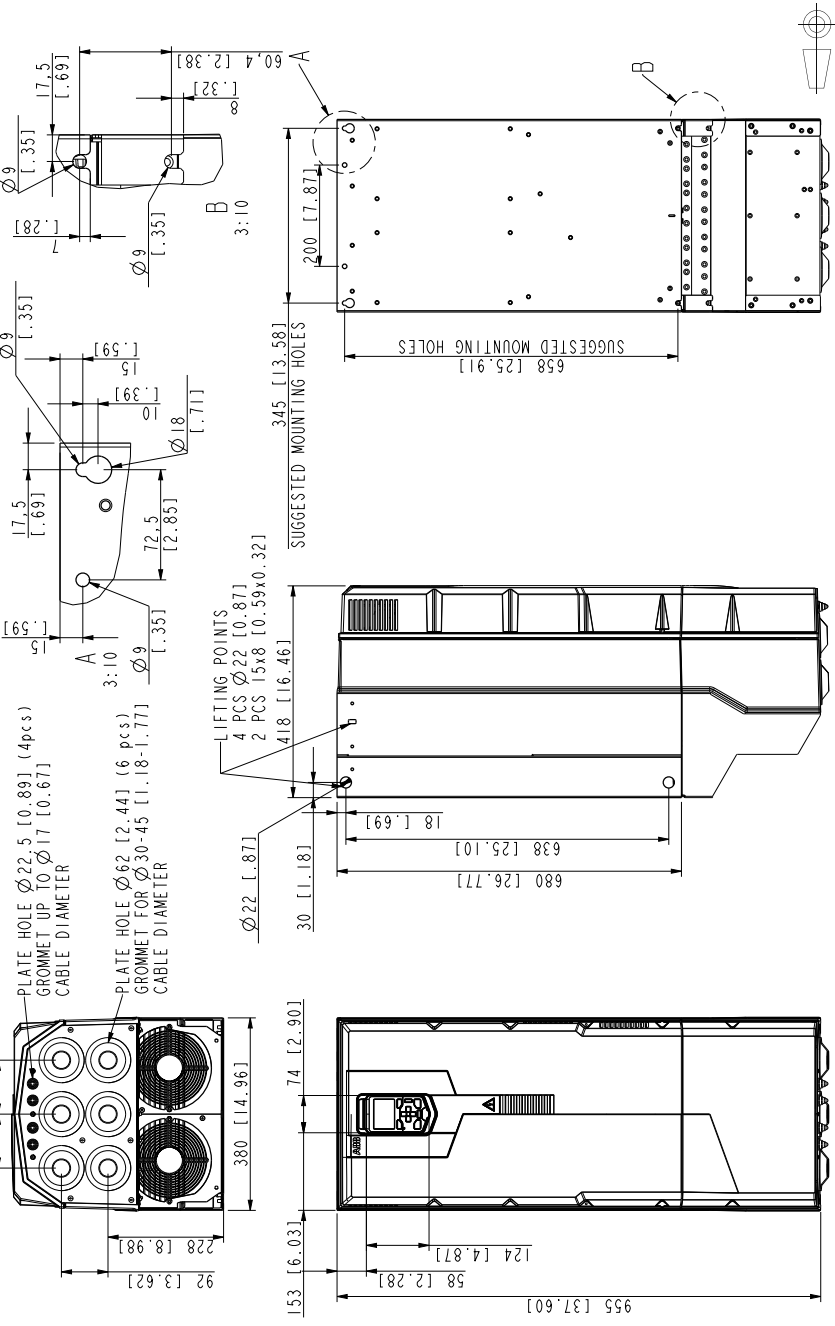
Frame R8, IP55



First angle projection. Original drawing made with 3D CAD. Set the correct scale factor when adding dimensions after DWG/DXF conversion.

Frame R9, IP21

First angle projection. Original drawing made with Pro/ENGINEER. Set the correct scale factor when adding dimensions after DWG/DXF conversion.
 106,5 [4.19] IP21

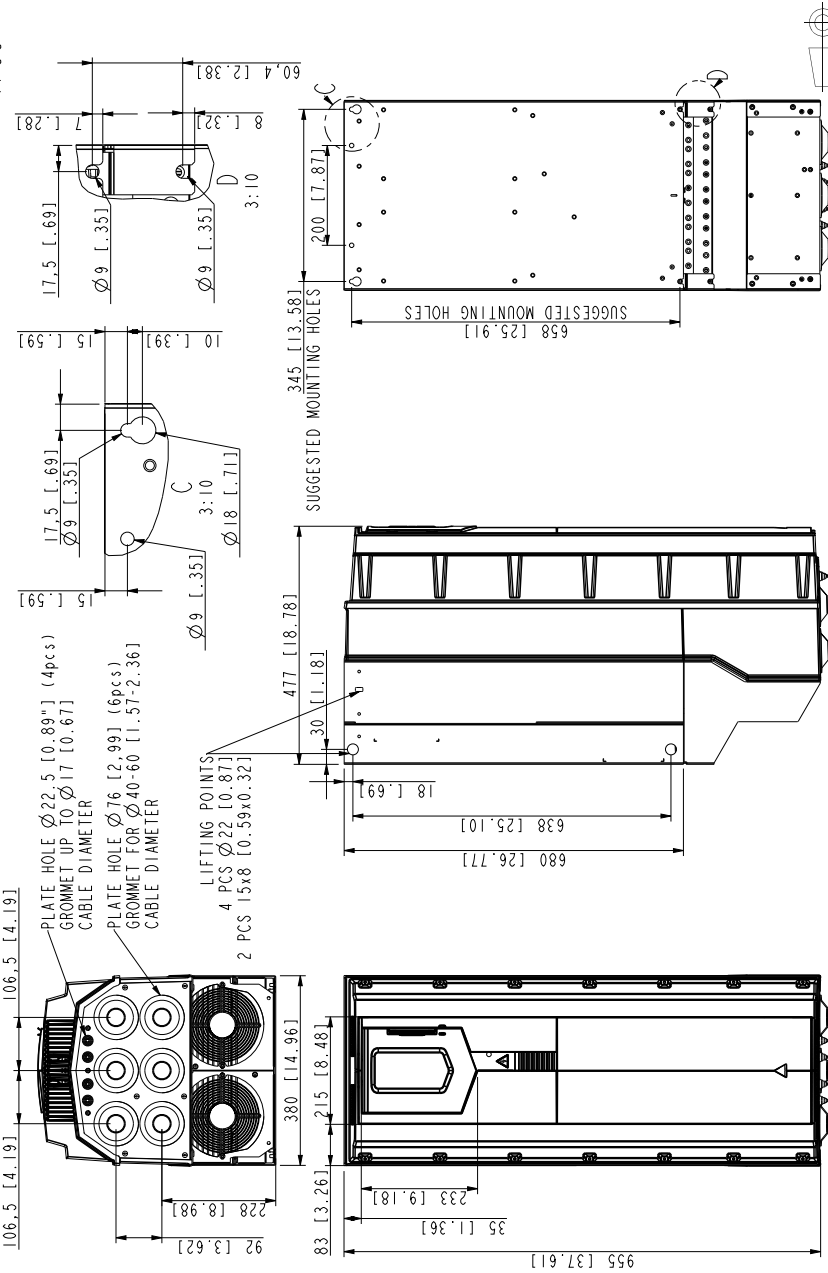


3AXD10000287428

Frame R9, IP55

IP55

First angle projection. Original drawing made with 3D CAD. Set the correct scale factor when adding dimensions after DMG/DXF conversion.



3AXD10000334310

11

Resistor braking

Contents of this chapter

The chapter describes how to select the brake resistor and cables, protect the system, connect the brake resistor and enable resistor braking.

Operation principle and hardware description

The brake chopper handles the energy generated by a decelerating motor. The chopper connects the brake resistor to the intermediate DC circuit whenever the voltage in the circuit exceeds the limit defined by the control program. Energy consumption by the resistor losses lowers the voltage until the resistor can be disconnected.

For frame R0...R3 internal brake choppers and resistors, see below. For R5...R9 external brake choppers and resistors, see [Resistor braking, frames R5...R9](#) on page [186](#).

Resistor braking, frames R0...R3

■ Planning the braking system

Selecting the brake resistor

Frames R0...R3 have an built-in brake chopper as standard equipment. The brake resistor is selected using the table and equations presented in this section.

1. Determine the required maximum braking power P_{Rmax} for the application. P_{Rmax} must be smaller than P_{BRmax} given in the table on page 181 for the used drive type.
2. Calculate resistance R with Equation 1.
3. Calculate energy E_{Rpulse} with Equation 2.
4. Select the resistor so that the following conditions are met:
 - The rated power of the resistor must be greater than or equal to P_{Rmax} .
 - Resistance R must be between R_{min} and R_{max} given in the table for the used drive type.
 - The resistor must be able to dissipate energy E_{Rpulse} during the braking cycle T .

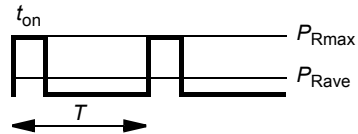
Equations for selecting the resistor:

$$\text{Eq. 1. } U_N = 400 \text{ V: } R = \frac{450000}{P_{Rmax}}$$

$$U_N = 460 \text{ V: } R = \frac{615000}{P_{Rmax}}$$

$$\text{Eq. 2. } E_{Rpulse} = P_{Rmax} \cdot t_{on}$$

$$\text{Eq. 3. } P_{Rave} = P_{Rmax} \cdot \frac{t_{on}}{T}$$



For conversion, use 1 hp = 746 W.

where

- R = calculated brake resistor value (ohm). Make sure that: $R_{min} < R < R_{max}$.
- P_{Rmax} = maximum power during the braking cycle (W)
- P_{Rave} = average power during the braking cycle (W)
- E_{Rpulse} = energy conducted into the resistor during a single braking pulse (J)
- t_{on} = length of the braking pulse (s)
- T = length of the braking cycle (s).

The table shows reference resistor types for the maximum braking power.

Type ACS580-01	R_{min}	R_{max}	P_{BRmax}		Reference resistor types Danotherm
	ohm	ohm	kW	hp	
3-phase $U_N = 400$ or 460 V (380...415 V, 440...480 V)					
0246-4	54	690	0.6	0.8	CBH 360 C T 406 210R or CAR 200 D T 406 210R
03A3-4	54	465	0.9	1.2	CBH 360 C T 406 210R or CAR 200 D T 406 210R
04A0-4	54	313	1.3	1.7	CBH 360 C T 406 210R or CAR 200 D T 406 210R
05A6-4	54	223	1.9	2.6	CBH 360 C T 406 210R or CAR 200 D T 406 210R
07A2-4	54	153	2.6	3.5	CBR-V 330 D T 406 78R UL
09A4-4	54	112	3.5	4.7	CBR-V 330 D T 406 78R UL
12A6-4	54	83	4.9	6.6	CBR-V 330 D T 406 78R UL
017A-4	32	60	6.8	9.0	CBR-V 560 D HT 406 39R UL
025A-4	23	42	10	13.6	CBR-V 560 D HT 406 39R UL
032A-4	16	29	14	18.5	CBT-H 560 D HT 406 19R
038A-4	11	21	17	22.8	CBT-H 760 D HT 406 16R
045A-4	11	17	20	27.4	CBT-H 760 D HT 406 16R

3AXD00000586715.xls F

Symbols

R_{min} = minimum allowed brake resistor that can be connected to the brake chopper

R_{max} = maximum allowed brake resistor that allows P_{BRmax}

P_{BRmax} = maximum braking capacity of the drive, must exceed the desired braking power.



WARNING! Do not use a brake resistor with a resistance below the minimum value specified for the particular drive. The drive and the internal chopper are not able to handle the overcurrent caused by the low resistance.

Selecting and routing the brake resistor cables

Use a shielded cable with the conductor size specified in section [Terminal and lead-through data for the power cables](#) on page 141.

Minimizing electromagnetic interference

Follow these rules in order to minimize electromagnetic interference caused by the rapid current changes in the resistor cables:

- Install the cables away from other cable routes.
- Avoid long parallel runs with other cables. The minimum parallel cabling separation distance should be 0.3 meters.
- Cross the other cables at right angles.
- Keep the cable as short as possible in order to minimize the radiated emissions and stress on chopper IGBTs. The longer the cable the higher the radiated emissions, inductive load and voltage peaks over the IGBT semiconductors of the brake chopper.

Maximum cable length

The maximum length of the resistor cable(s) is 10 m (33 ft).

EMC compliance of the complete installation

Note: ABB has not verified that the EMC requirements are fulfilled with external user-defined brake resistors and cabling. The EMC compliance of the complete installation must be considered by the customer.

Placing the brake resistor

Install the resistors outside the drive in a place where they will cool.

Arrange the cooling of the resistor in a way that:

- no danger of overheating is caused to the resistor or nearby materials
- the temperature of the room the resistor is located in does not exceed the allowed maximum.

Supply the resistor with cooling air/water according to the resistor manufacturer's instructions.



WARNING! The materials near the brake resistor must be non-flammable. The surface temperature of the resistor is high. Air flowing from the resistor is of hundreds of degrees Celsius. If the exhaust vents are connected to a ventilation system, ensure that the material withstands high temperatures. Protect the resistor against physical contact.

Protecting the system in brake circuit fault situations

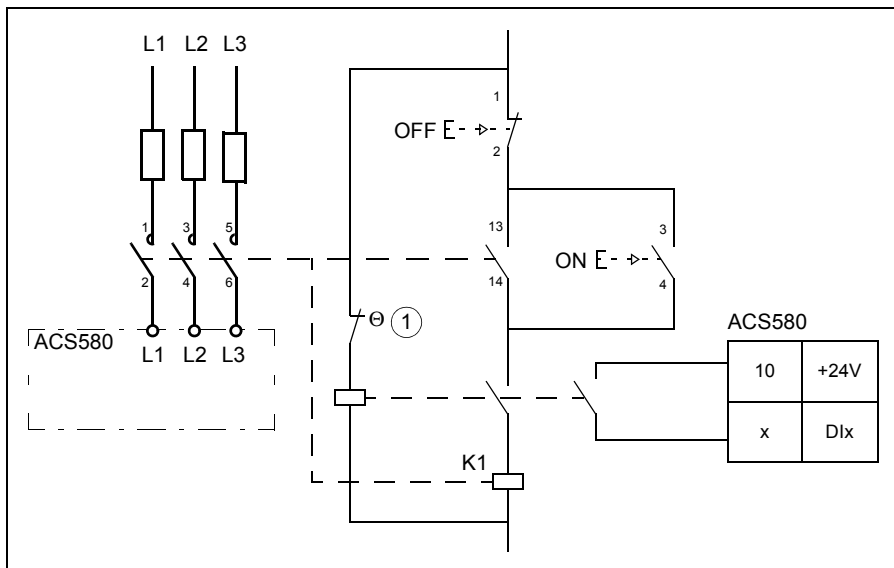
Protecting the system in cable and brake resistor short-circuit situations

The input fuses will also protect the resistor cable when it is identical with the input cable.

Protecting the system against thermal overload

Equipping the drive with a main contactor is highly recommended for safety reasons. Wire the contactor so that it opens in case the resistor overheats. This is essential for safety since the drive will not otherwise be able to interrupt the main supply if the chopper remains conductive in a fault situation. An example wiring diagram is shown below. We recommend that you use resistors equipped with a thermal switch (1) inside the resistor assembly. The switch indicates overtemperature and overload.

We recommend that you also wire the thermal switch to a digital input of the drive.



■ Mechanical installation

All brake resistors must be installed outside the drive. Follow the resistor manufacturer's instructions.

■ Electrical installation

Checking the insulation of the assembly

Follow the instructions given in section [Brake resistor assembly](#) on page [Brake resistor assembly](#).

Connection diagram

See section [Connection diagram](#) page [74](#).

Connection procedure

See section [Brake resistor cable \(if used\)](#) on page [79](#).

Connect the thermal switch of the brake resistor as described in section [Protecting the system against thermal overload](#) on page [183](#).

■ Start-up

Note: Protective oil on the brake resistors will burn off when the brake resistor is used for the first time. Make sure that the airflow is sufficient.

Set the following parameters:

1. Disable the overvoltage control of the drive with parameter 30.30 Overvoltage control.
2. Set the source of parameter 31.01 External event 1 source to point to the digital input where the thermal switch of the brake resistor is wired.
3. Set parameter 31.02 External event 1 type to Fault.
4. Enable the brake chopper by parameter 43.06 Brake chopper enable. If Enabled with thermal model is selected, set also the brake resistor overload protection parameters 43.08 and 43.09 according to the application.
5. Check the resistance value of parameter 43.10 Brake resistance.

With these parameter settings, the drive generates a fault and coasts to a stop on brake resistor overtemperature.



WARNING! If the drive is equipped with a brake chopper but the chopper is not enabled by the parameter setting, the internal thermal protection of the drive against resistor overheating is not in use. In this case, the brake resistor must be disconnected.

Resistor braking, frames R5...R9

To be added

12

Safe torque off function

What this chapter contains

This chapter describes the Safe torque off (STO) function of the drive and gives instructions for its use.

Description

The Safe torque off function can be used, for example, to construct safety or supervision circuits that stop the drive in case of danger. Another possible application is a prevention of unexpected start-up switch that enables short-time maintenance operations like cleaning or work on non-electrical parts of the machinery without switching off the power supply to the drive.

Note: The Safe torque off function does not disconnect the voltage from the drive, see the warning on page [194](#).

When activated, the Safe torque off function disables the control voltage of the power semiconductors of the drive output stage (A, see diagram on page [190](#)), thus preventing the drive from generating the torque required to rotate the motor. If the motor is running when Safe torque off is activated, it coasts to a stop.

The Safe torque off function has a redundant architecture, that is, both channels must be used in the safety function implementation. The safety data given in this manual is calculated for redundant use, and does not apply if both channels are not used.

The Safe torque off function of the drive complies with these standards:

Standard	Name
EN 60204-1:2006 + AC:2010	<i>Safety of machinery – Electrical equipment of machines – Part 1: General requirements</i>
IEC 61326-3-1:2008	<i>Electrical equipment for measurement, control and laboratory use – EMC requirements – Part 3-1: Immunity requirements for safety-related systems and for equipment intended to perform safety-related functions (functional safety) – General industrial applications</i>
IEC 61508-1:2010	<i>Functional safety of electrical/electronic/programmable electronic safety-related systems – Part 1: General requirements</i>
IEC 61508-2:2010	<i>Functional safety of electrical/electronic/programmable electronic safety-related systems – Part 2: Requirements for electrical/electronic/programmable electronic safety-related systems</i>
IEC 61511:2003	<i>Functional safety – Safety instrumented systems for the process industry sector</i>
IEC/EN 61800-5-2:2007	<i>Adjustable speed electrical power drive systems – Part 5-2: Safety requirements – Functional</i>
IEC/EN 62061:2005 + AC:2010	<i>Safety of machinery – Functional safety of safety-related electrical, electronic and programmable electronic control systems</i>
EN ISO 13849-1:2008 + AC:2009	<i>Safety of machinery – Safety-related parts of control systems – Part 1: General principles for design</i>
EN ISO 13849-2:2012	<i>Safety of machinery – Safety-related parts of control systems – Part 2: Validation</i>

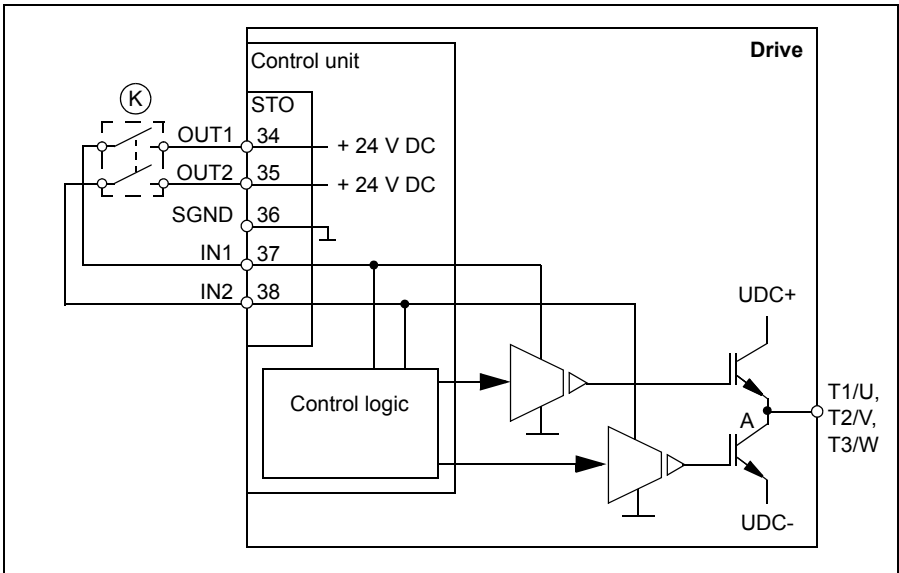
The function also corresponds to Prevention of unexpected start-up as specified by EN 1037:1995 + A1:2008 and Uncontrolled stop (stop category 0) as specified in EN 60204-1:2006 + AC:2010.

■ **Compliance with the European Machinery Directive**

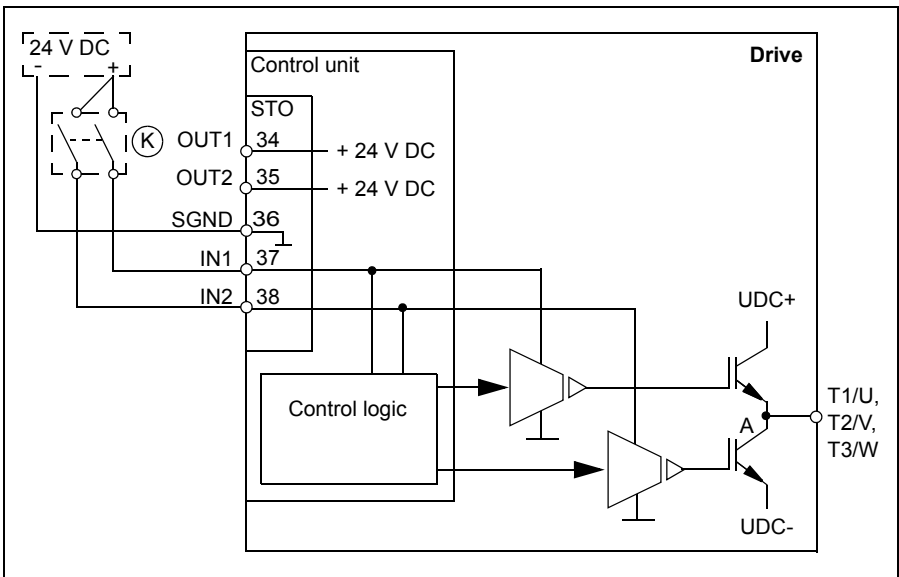
See section [Compliance with the European Machinery Directive 2006/42/EC 2nd Edition – June 2010](#) on page 155.

Connection principle

■ Connection with internal +24 V DC power supply

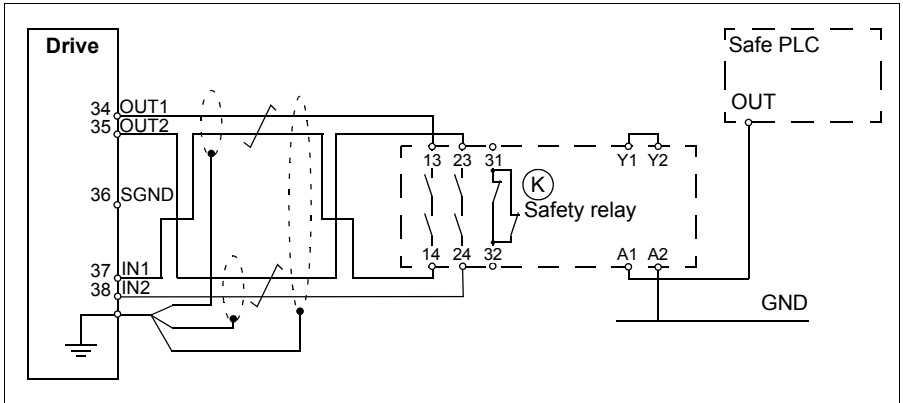


■ Connection with external +24 V DC power supply

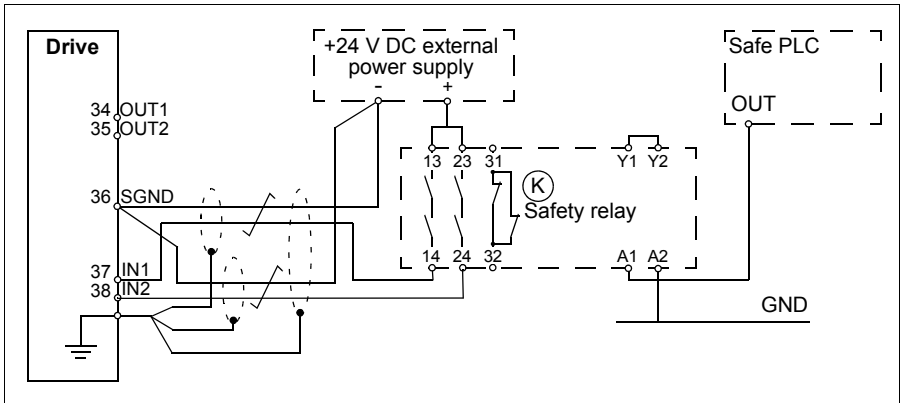


Wiring examples

An example of a Safe torque off wiring with internal +24 V DC power supply is shown below.



An example of a Safe torque off wiring with external +24 V DC power supply is shown below.



For information on the specifications of the STO input, see chapter [Control connection data](#) (page 146).

■ Activation switch

In the wiring diagram above (page 190), the activation switch has the designation (K). This represents a component such as a manually operated switch, an emergency stop push button switch, or the contacts of a safety relay or safety PLC.

- If a manually operated activation switch is used, the switch must be of a type that can be locked out to the open position.
- Inputs IN1 and IN2 must open/close within 200 ms of each other.

■ Cable types and lengths

- Double-shielded twisted-pair cable is recommended.
- Maximum cable length 300 m (984 ft) between activation switch (K) and drive control unit.

Note: A short-circuit in the wiring between the switch and an STO terminal causes a dangerous fault and therefore it is recommended to use a safety relay (including wiring diagnostics), or a wiring method (shield grounding, channel separation) which reduces or eliminates the risk caused by the short-circuit.

Note: The voltage at the INx terminals of each drive must be at least 13 V DC to be interpreted as “1”. Pulse tolerance of input channels is 1 ms.

■ Grounding of protective shields

- Ground the shield in the cabling between the activation switch and the control board at the control board.
- Ground the shield in the cabling between two control boards at one control board only.

Operation principle

1. The Safe torque off activates (the activation switch is opened, or safety relay contacts open).
2. The STO inputs IN1 and IN2 on the drive control board de-energize.
3. The STO cuts off the control voltage from the drive IGBTs.
4. The control program generates an indication as defined by parameter 31.22 STO indication run/stop.

The parameter selects which indications are given when one or both Safe torque off (STO) signals are switched off or lost. The indications also depend on whether the drive is running or stopped when this occurs.

Note: This parameter does not affect the operation of the STO function itself. The STO function will operate regardless of the setting of this parameter: a running drive will stop upon removal of one or both STO signals, and will not start until both STO signals are restored and all faults reset.

Note: The loss of only one STO signal always generates a fault as it is interpreted as a malfunction of STO hardware or wiring.

5. Motor coasts to a stop (if running). The drive cannot restart while the activation switch or safety relay contacts are open. After the contacts close, a new start command is required to start the drive.

Start-up including acceptance test

To ensure the safe operation of a safety function, validation is required. The final assembler of the machine must validate the function by performing an acceptance test. The acceptance test must be performed

- at initial start-up of the safety function
- after any changes related to the safety function (circuit boards, wiring, components, settings, etc.)
- after any maintenance work related to the safety function.

■ Authorized person

The acceptance test of the safety function must be carried out by an authorized person with expertise and knowledge of the safety function. The test must be documented and signed by the authorized person.


An authorized person is an individual with authorization from the machine builder or end user to carry out, report and sign off the safety function validation / acceptance testing on behalf of the machine builder or end user.

■ Acceptance test reports

Signed acceptance test reports must be stored in the logbook of the machine. The report shall include documentation of start-up activities and test results, references to failure reports and resolution of failures. Any new acceptance tests performed due to changes or maintenance shall be logged into the logbook.

■ Acceptance test procedure

After wiring the Safe torque off function, validate its operation as follows.

Action	<input checked="" type="checkbox"/>
 WARNING! Follow the <i>Safety instructions</i> , page 11. Ignoring the instructions can cause physical injury or death, or damage to the equipment.	<input type="checkbox"/>
Ensure that the drive can be run and stopped freely during start-up.	<input type="checkbox"/>
Stop the drive (if running), switch the input power off and isolate the drive from the power line by a disconnecter.	<input type="checkbox"/>
Check the Safe torque off circuit connections against the wiring diagram.	<input type="checkbox"/>
Close the disconnecter and switch the power on.	<input type="checkbox"/>
<p>Test the operation of the STO function when the motor is stopped.</p> <ul style="list-style-type: none"> Give a stop command for the drive (if running) and wait until the motor shaft is at a standstill. <p>Ensure that the drive operates as follows:</p> <ul style="list-style-type: none"> Open the STO circuit. The drive generates an indication if one is defined for the 'stopped' state in parameter 31.22 STO indication run/stop. For the description of the warning, see <i>ACS580 firmware manual</i> (3AXD50000016097 [English]). Give a start command to verify that the STO function blocks the drive's operation. The drive displays a warning. The motor should not start. Close the STO circuit. Reset any active faults. Restart the drive and check that the motor runs normally. 	<input type="checkbox"/>
<p>Test the operation of the STO function when the motor is running.</p> <ul style="list-style-type: none"> Start the drive and ensure the motor is running. Open the STO circuit. The motor should stop. The drive generates an indication if one is defined for the 'running' state in parameter 31.22 STO indication run/stop. For the description of the warning, see <i>ACS580 firmware manual</i> (3AXD50000016097 [English]). Reset any active faults and try to start the drive. Ensure that the motor stays at a standstill and the drive operates as described above in testing the operation when the motor is stopped. Close the STO circuit. Reset any active faults. Restart the drive and check that the motor runs normally. 	<input type="checkbox"/>
Document and sign the acceptance test report which verifies that the safety function is safe and accepted for operation.	<input type="checkbox"/>

Use

1. Open the activation switch, or activate the safety functionality that is wired to the STO connection.
2. STO inputs on the drive control unit de-energize, and the drive control unit cuts off the control voltage from the drive IGBTs.
3. The control program generates an indication as defined by parameter 31.22 STO indication run/stop.
4. The motor coasts to a stop (if running). The drive will not restart while the activation switch or safety relay contacts are open.
5. Deactivate the STO by closing the activation switch, or resetting the safety functionality that is wired to the STO connection.
6. Reset any faults before restarting.



WARNING! The Safe torque off function does not disconnect the voltage of the main and auxiliary circuits from the drive. Therefore maintenance work on electrical parts of the drive or the motor can only be carried out after isolating the drive from the main supply.



WARNING! (With permanent magnet motors only) In case of a multiple IGBT power semiconductor failure, the drive system can produce an alignment torque which maximally rotates the motor shaft by $180/p$ degrees regardless of the activation of the Safe torque off function. p denotes the number of pole pairs.

Notes:

- If a running drive is stopped by using the Safe torque off function, the drive will cut off the motor supply voltage and the motor will coast to a stop. If this causes danger or is not otherwise acceptable, stop the drive and machinery using the appropriate stop mode before activating the Safe torque off function.
 - The Safe torque off function overrides all other functions of the drive unit.
 - The Safe torque off function is ineffective against deliberate sabotage or misuse.
 - The Safe torque off function has been designed to reduce the recognized hazardous conditions. In spite of this, it is not always possible to eliminate all potential hazards. The assembler of the machine must inform the final user about the residual risks.
-

Maintenance

After the operation of the circuit is validated at start-up, the STO function shall be maintained by periodic proof testing. In high demand mode of operation, the maximum proof test interval is 20 years. In low demand mode of operation, the maximum proof test interval is 2 years. The test procedure is given in section [Acceptance test procedure](#) (page 193).

In addition to proof testing, it is a good practice to check the operation of the function when other maintenance procedures are carried out on the machinery.

Include the Safe torque off operation test described above in the routine maintenance program of the machinery that the drive runs.

If any wiring or component change is needed after start up, or the parameters are restored, follow the test given in section [Acceptance test procedure](#) (page 193).

Use only ABB approved spare parts.

Fault tracing

The indications given during the normal operation of the Safe torque off function are selected by parameter 31.22 STO indication run/stop.

The diagnostics of the Safe torque off function cross-compare the status of the two STO channels. In case the channels are not in the same state, a fault reaction function is performed and the drive trips on an “STO hardware failure” fault. An attempt to use the STO in a non-redundant manner, for example activating only one channel, will trigger the same reaction.

See the drive firmware manual for the indications generated by the drive, and for details on directing fault and warning indications to an output on the control unit for external diagnostics.

Any failures of the Safe torque off function must be reported to ABB.

Safety data

The safety data for the Safe torque off function is given below.

Note: The safety data is calculated for redundant use, and does not apply if both STO channels are not used.

Frame size	IEC 61508 and IEC/EN 61800-5-2					
	SIL	PFH _d (1/h)	HFT	SFF (%)	T1 (a)	PFD
R0	3	2.68E-09	1	99.8	20	2.8E-06
R1	3	2.68E-09	1	99.8	20	2.8E-06
R2	3	2.68E-09	1	99.8	20	2.8E-06
R3	3	2.68E-09	1	99.8	20	2.8E-06
R5	3	7.09E-10	1	99.9	20	5.91E-05
R6	3	1.06E-09	1	99.8	20	8.85E-05
R7	3	1.06E-09	1	99.8	20	8.85E-05
R8	3	1.4E-09	1	99.7	20	9.04E-05
R9	3	1.4E-09	1	99.7	20	9.04E-05

Frame size	EN ISO 13849-1					IEC/EN 62061	IEC 61511
	PL	CCF (%)	MTTF _d ¹ (a)	DC ² (%)	Category	SILCL	SIL
R0	e	80	2938.483	>90	3	3	3
R1	e	80	2938.483	>90	3	3	3
R2	e	80	2938.192	>90	3	3	3
R3	e	80	2938.192	>90	3	3	3
R5	e	80	16033.9	>90	3	3	3
R6	e	80	10876.08	>90	3	3	3
R7	e	80	10876.08	>90	3	3	3
R8	e	80	2490.467	>90	3	3	3
R9	e	80	2490.467	>90	3	3	3

¹ 100 years must be used for calculation of a safety loop.

3AXD00000586715.xls F

² According to standard EN ISO 13849-1 table E.1

- The following temperature profile is used in safety value calculations:
 - 670 on/off cycles per year with $\Delta T = 71.66 \text{ }^\circ\text{C}$
 - 1340 on/off cycles per year with $\Delta T = 61.66 \text{ }^\circ\text{C}$
 - 30 on/off cycles per year with $\Delta T = 10.0 \text{ }^\circ\text{C}$
 - 32 °C board temperature at 2.0% of time
 - 60 °C board temperature at 1.5% of time
 - 85 °C board temperature at 2.3% of time.

- The STO is a type A safety component as defined in IEC 61508-2.
 - Relevant failure modes:
 - The STO trips spuriously (safe failure)
 - The STO does not activate when requested
- A fault exclusion on the failure mode “short circuit on printed circuit board” has been made (EN 13849-2, table D.5). The analysis is based on an assumption that one failure occurs at one time. No accumulated failures have been analyzed.
- STO reaction time (shortest detectable break): 1 ms
 - STO response time: 2 ms (typical), 5 ms (maximum)
 - Fault detection time: Channels in different states for longer than 200 ms
 - Fault reaction time: Fault detection time + 10 ms
 - STO fault indication (parameter 31.22) delay: < 500 ms
 - STO warning indication (parameter 31.22) delay: < 1000 ms
 - Maximum cable length 300 m (984 ft) between activation switch (K) and drive control unit.
 - The voltage at the INx terminals of each drive must be at least 13 V DC to be interpreted as “1”. Pulse tolerance of input channels is 1 ms.
-

■ Abbreviations

Abbr.	Reference	Description
CCF	EN ISO 13849-1	Common cause failure (%)
DC	EN ISO 13849-1	Diagnostic coverage
FIT	IEC 61508	Failure in time: 1E-9 hours
HFT	IEC 61508	Hardware fault tolerance
MTTF _d	EN ISO 13849-1	Mean time to dangerous failure: (The total number of life units) / (the number of dangerous, undetected failures) during a particular measurement interval under stated conditions
PFD	IEC 61508	Probability of failure on demand
PFH _D	IEC 61508	Probability of dangerous failures per hour
PL	EN ISO 13849-1	Performance level. Levels a...e correspond to SIL
SC	IEC 61508	Systematic capability
SFF	IEC 61508	Safe failure fraction (%)
SIL	IEC 61508	Safety integrity level (1...3)
SILCL	EN 62061	Maximum SIL (level 1...3) that can be claimed for a safety function or subsystem
STO	IEC/EN 61800-5-2	Safe torque off
T1	IEC 61508	Proof test interval

■ Declaration of conformity

Declaration of conformity (3AXD10000302783) is available on the Internet. See section [Document library on the Internet](#) on the inside of the back cover.

■ Certificate

TÜV certificate (3AXD10000302787) is available on the Internet. See section [Document library on the Internet](#) on the inside of the back cover.

13

Optional I/O extension modules

What this chapter contains

This chapter describes how to install and start up the optional CMOD-01 and CMOD-01 multifunction extension modules. The chapter also contains diagnostics and technical data.

CMOD-01 multifunction extension module (external 24 V AC/DC and digital I/O)

■ Safety instructions



WARNING! Obey the safety instructions for the drive. If you ignore the safety instructions, injury or death can occur.

■ Hardware description

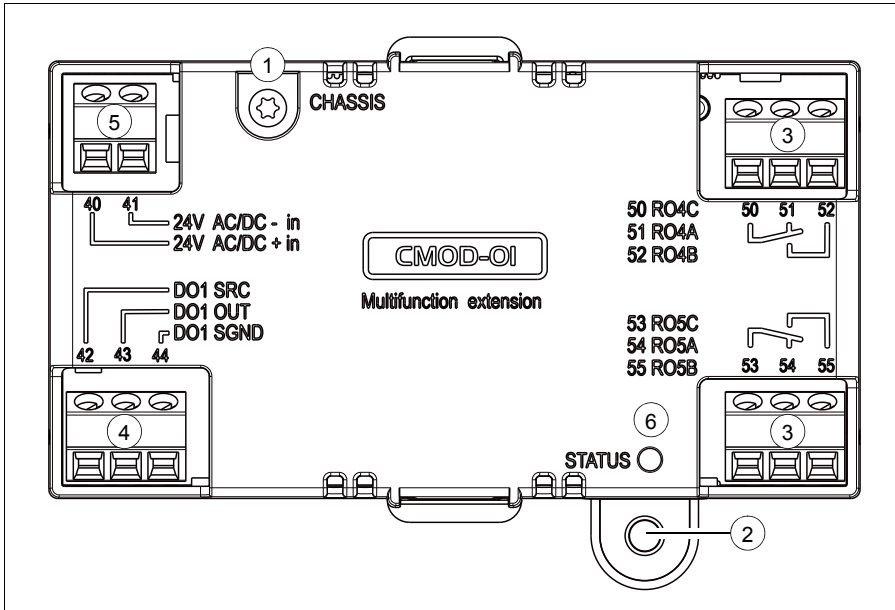
Product overview

The CMOD-01 multifunction extension module (external 24 V AC/DC and digital I/O) expands the outputs of the drive control unit. It has two relay outputs and one transistor output, which can function as a digital or frequency output.

In addition, the extension module has an external power supply interface, which can be used to power up the drive control unit in case the drive power supply fails. If you do not need the back-up power supply, you do not have to connect it because the module is powered from the drive control unit by default.

Note: In frames R5...R9, you do not need a CMOD-01 module to use external 24 V AC/DC supply. The external supply is connected directly to terminals 40 and 41 on the control unit.

Layout



Item	Description	Additional information
1	Grounding screw	Page 200
2	Hole for mounting screw	Page 200
3	3-pin terminal blocks for relay outputs	Page 201
4	3-pin terminal block for transistor output	Page 201
5	2-pin terminal block for external power supply	Page 201
6	Diagnostic LED	Page 205

■ Mechanical installation

Necessary tools and instructions

- Screwdriver and a set of suitable bits.

Unpacking and checking the delivery

1. Open the option package.
2. Make sure that the package contains:
 - CMOD-01 multifunction extension module
 - mounting screw.
3. Make sure that there are no signs of damage.

Installing the module

See chapter [Installing option modules](#) on page 104.

■ Electrical installation

Warnings



WARNING! Obey the instructions in chapter [Safety instructions](#) on page 11. If you ignore them, injury or death, or damage to the equipment can occur. If you are not a qualified electrician, do not do electrical work.

Make sure that the drive is disconnected from the input power during installation. If the drive is already connected to the input power, wait for 5 minutes after disconnecting the input power.

Necessary tools and instructions

- Screwdriver and a set of suitable bits
- Cabling tools

Terminal designations

For more detailed information on the connectors, see section [Technical data](#) on page 205.

Relay outputs

Marking		Description
50	RO4C	Common, C
51	RO4A	Normally closed, NC
52	RO4B	Normally open, NO
53	RO5C	Common, C
54	RO5A	Normally closed, NC
55	RO5B	Normally open, NO

Transistor output

Marking		Description
42	DO1 SRC	Source input
43	DO1 OUT	Digital or frequency output
44	DO1 SGND	Ground (earth) potential

External power supply

The external power supply is needed only if you want to connect an external back-up power supply for the drive control unit

Note: Only frames R0...R3 need CMOD-01 (or CMOD-02) for connecting external power supply, frames R5...R9 have corresponding terminals 40 and 41 on the control unit.

Marking		Description
40	24V AC/DC + in	External 24 V (AC/DC) input
41	24V AC/DC - in	External 24 V (AC/DC) input

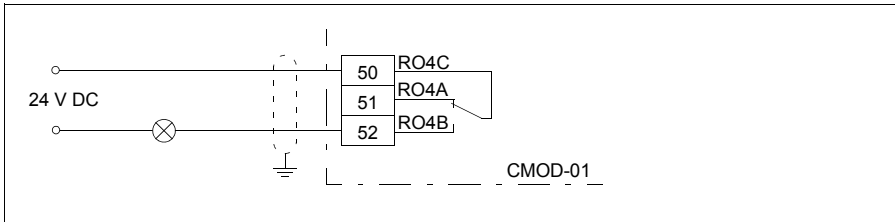
General cabling instructions

Obey the instructions given in chapter [Planning the electrical installation](#) on page 53.

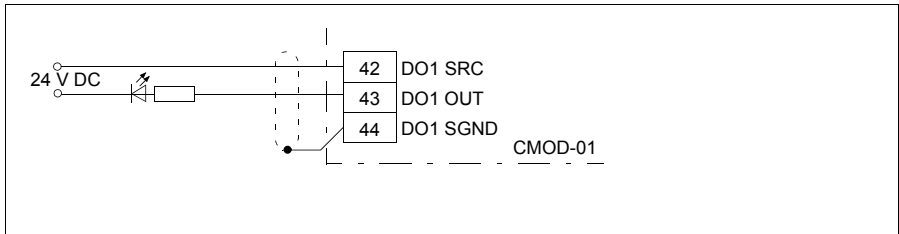
Wiring

Connect the external control cables to the applicable module terminals. Ground the outer shield of the cables 360 degrees under a grounding clamp on the grounding shelf of the control cables.

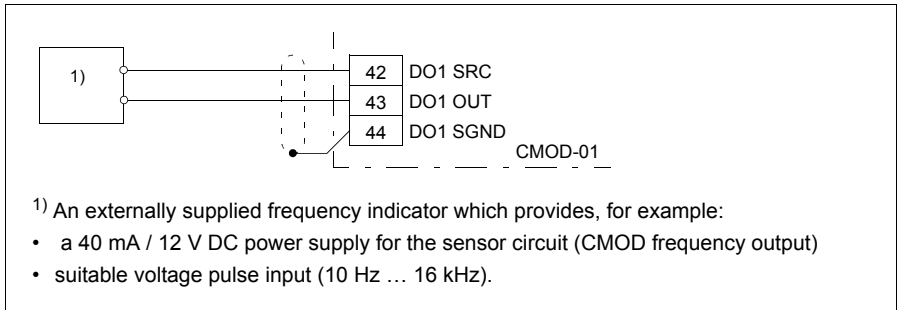
Relay output connection example



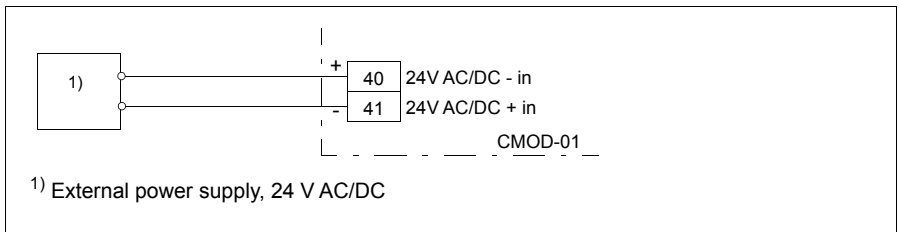
Digital output connection example



Frequency output connection example



External power supply connection example



Start-up

Setting the parameters

1. Power up the drive.
2. If no warning is shown,
 - make sure that the value of both parameter 15.02 Detected extension module and parameter 15.01 Extension module type is CMOD-01.
 If warning A7AB Extension I/O configuration failure is shown,
 - make sure that the value of parameter 15.02 Detected extension module is CMOD-01.
 - set parameter 15.01 Extension module type to CMOD-01.

You can now see the parameters of the extension module in parameter group 15 I/O extension module (page 252).

3. Set the parameters of the extension module to applicable values.

Examples are given below.

Parameter setting example for relay output

This example shows how make relay output RO4 of the extension module indicate the reverse direction of rotation of the motor with a one-second delay.

Parameter	Setting
15.07 RO4 source	Reverse
15.08 RO4 ON delay	1 s
15.09 RO4 OFF delay	1 s

Parameter setting example for digital output

This example shows how to make digital output DO1 of the extension module indicate the reverse direction of rotation of the motor with a one-second delay.

Parameter	Setting
15.22 DO1 configuration	Digital output
15.23 DO1 source	Reverse
15.24 DO1 ON delay	1 s
15.25 DO1 OFF delay	1 s

Parameter setting example for frequency output

This example shows how to make digital output DO1 of the extension module indicate the motor speed 0... 1500 rpm with a frequency range of 0...10000 Hz.

Parameter	Setting
15.22 DO1 configuration	Frequency output
15.33 Freq out 1 source	01.01
15.34 Freq out 1 src min	0
15.35 Freq out 1 src max	1500.00
15.36 Freq out 1 at src min	1000 Hz
15.37 Freq out 1 at src max	10000 Hz

■ Diagnostics

Faults and warning messages

Warning A7AB Extension I/O configuration failure, see page 429.

LEDs

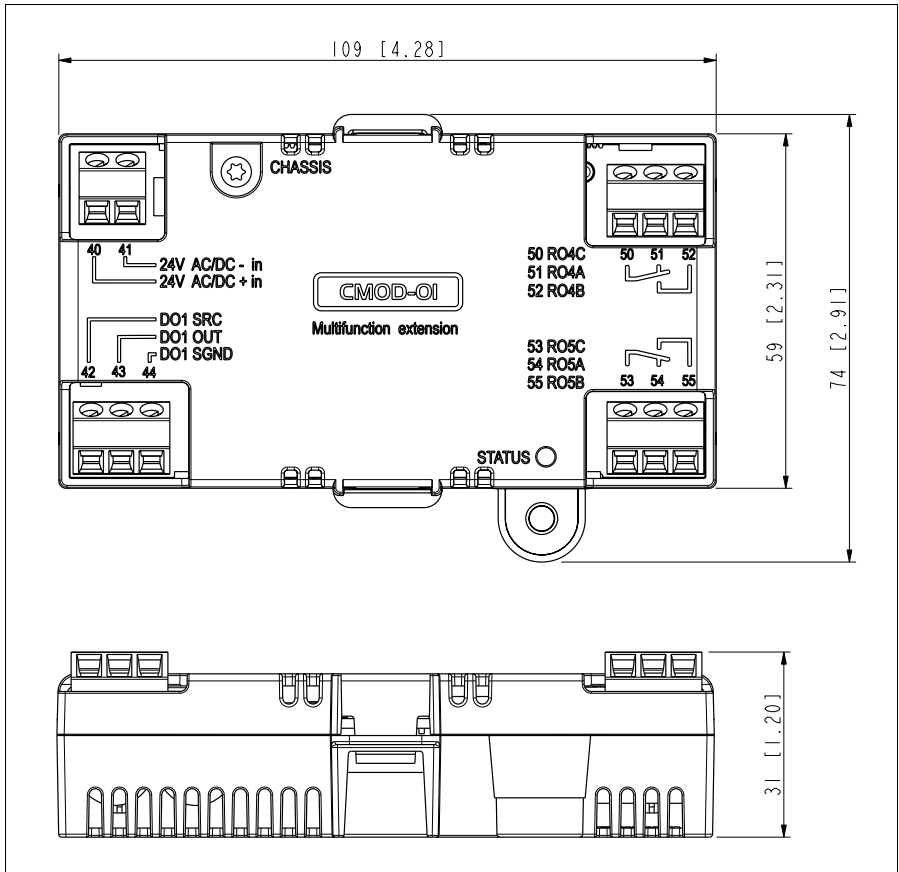
The extension module has one diagnostic LED.

Color	Description
Green	The extension module is powered up.

■ Technical data

Dimension drawing:

The dimensions are in millimeters and [inches].



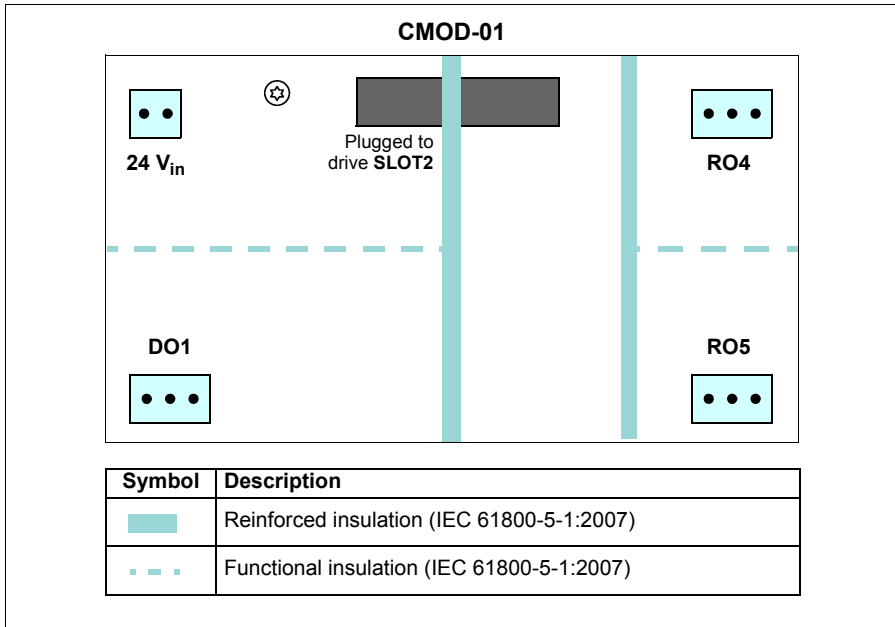
Installation: Into an option slot on the drive control unit

Degree of protection: IP20

Ambient conditions: See the drive technical data.

Package: Cardboard

Isolation areas:



Relay outputs (50...52, 53...55):

- Wire size max. 1.5 mm²
- Minimum contact rating: 12 V / 10 mA
- Maximum contact rating: 250 V AC / 30 V DC / 2 A
- Maximum breaking capacity: 1500 VA

Transistor output (42...44):

- Wire size max. 1.5 mm²
- Type: Transistor output PNP
- Maximum switching voltage: 30 V DC
- Maximum switching current: 100 mA / 30 V DC, short-circuit protected
- Frequency: 10 Hz ... 16 kHz
- Resolution: 1 Hz
- Accuracy: 0.2%

External power supply (40...41):

- Wire size max. 1.5 mm²
 - 24 V AC / V DC ±10% (GND, user potential)
 - Maximum current consumption: 25 W, 1.04 A at 24 V DC
-

CMOD-02 multifunction extension module (external 24 V AC/DC and isolated PTC interface)

■ **Safety instructions**



WARNING! Obey the safety instructions for the drive. If you ignore the safety instructions, injury or death can occur.

■ **Hardware description**

Product overview

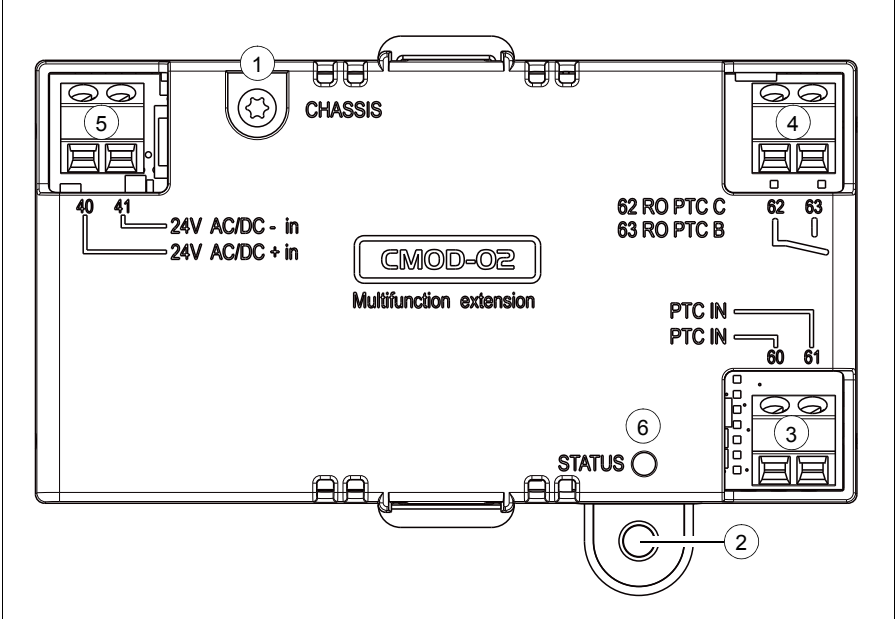
The CMOD-02 multifunction extension module (external 24 V AC/DC and isolated PTC interface) has a motor thermistor connection for supervising the motor temperature and one relay output, which indicates the thermistor status. To trip the drive, the user must connect this overtemperature indication back to the drive, for example, to its Safe torque off input.

In addition, the extension module has an external power supply interface, which can be used to power up the drive control unit in case the drive power supply fails. If you do not need the back-up power supply, you do not have to connect it because the module is powered from the drive control unit by default.

There is reinforced insulation between the motor thermistor connection, the relay output and the drive control unit interface. Thus, you can connect a motor thermistor to the drive through the extension module.

Note: In frames R5...R9, you do not need a CMOD-01 module to use external 24 V AC/DC supply. The external supply is connected directly to terminals 40 and 41 on the control unit.

Layout



Item	Description	Additional information
1	Grounding screw	Page 209
2	Hole for mounting screw	Page 209
3	2-pin terminal block for motor thermistor connection	Page 210
4	2-pin terminal block for relay output	Page 210
5	2-pin terminal block for external power supply	Page 210
6	Diagnostic LED	Page 213

■ Mechanical installation

Necessary tools and instructions

- Screwdriver and a set of suitable bits

Unpacking and checking the delivery

1. Open the option package.
2. Make sure that the package contains:
 - CMOD-02 multifunction extension module
 - mounting screw
3. Make sure that there are no signs of damage.

Installing the module

See chapter [Installing option modules](#) on page 104.

■ Electrical installation

Warnings



WARNING! Obey the instructions in chapter [Safety instructions](#) on page 11. If you ignore them, injury or death, or damage to the equipment can occur. If you are not a qualified electrician, do not do electrical work.

Make sure that the drive is disconnected from the input power during installation. If the drive is already connected to the input power, wait for 5 minutes after disconnecting the input power.

Necessary tools and instructions

- Screwdriver and a set of suitable bits
- Cabling tools

Terminal designations

For more detailed information on the connectors, see section [Technical data](#) on page 214.

Motor thermistor connection

Marking		Description
60	PTC IN	PTC connection
61	PTC IN	Ground (earth) potential

Relay output

Marking		Description
62	RO PTC C	Common, C
63	RO PTC B	Normally open, NO

External power supply

The external power supply is needed only if you want to connect an external back-up power supply for the drive control unit.

Note: Only frames R0...R3 need CMOD-01 (or CMOD-02) for connecting external power supply, frames R5...R9 have corresponding terminals 40 and 41 on the control unit.

Marking	Description	
40	24V AC/DC + in	External 24 V (AC/DC) input
41	24V AC/DC - in	External 24 V (AC/DC) input

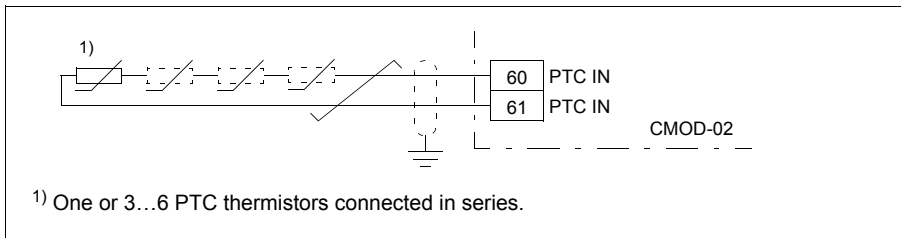
General cabling instructions

Obey the instructions given in chapter [Planning the electrical installation](#) on page 53.

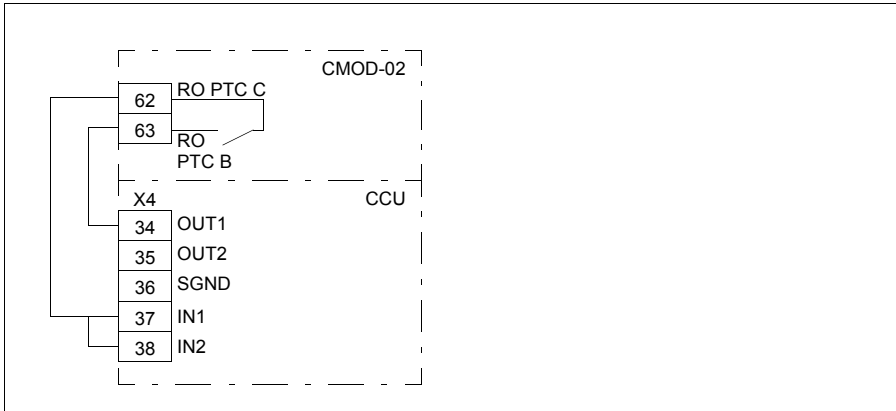
Wiring

Connect the external control cables to the applicable module terminals. Ground the outer shield of the cables 360 degrees under a grounding clamp on the grounding shelf of the control cables

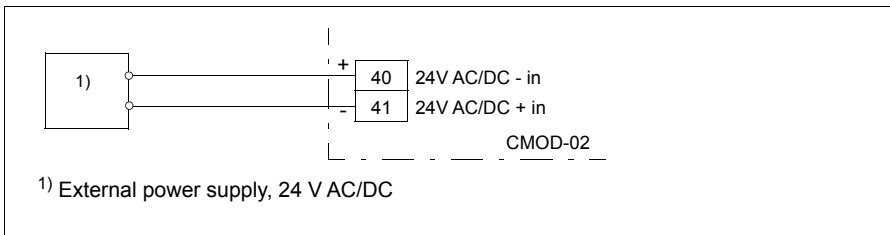
Motor thermistor connection example



Relay output connection example



Power supply connection example



■ **Start-up**

Setting the parameters

1. Power up the drive.
 2. If no warning is shown,
 - make sure that the value of both parameter 15.02 Detected extension module and parameter 15.01 Extension module type is CMOD-02.
- If warning A7AB Extension I/O configuration failure is shown,
- make sure that the value of parameter 15.02 Detected extension module is CMOD-02.
 - set parameter 15.01 Extension module type to CMOD-02.

You can now see the parameters of the extension module in parameter group 15 I/O extension module (page 252).

■ Diagnostics

Faults and warning messages

Warning A7AB Extension I/O configuration failure, see page 429.

LEDs

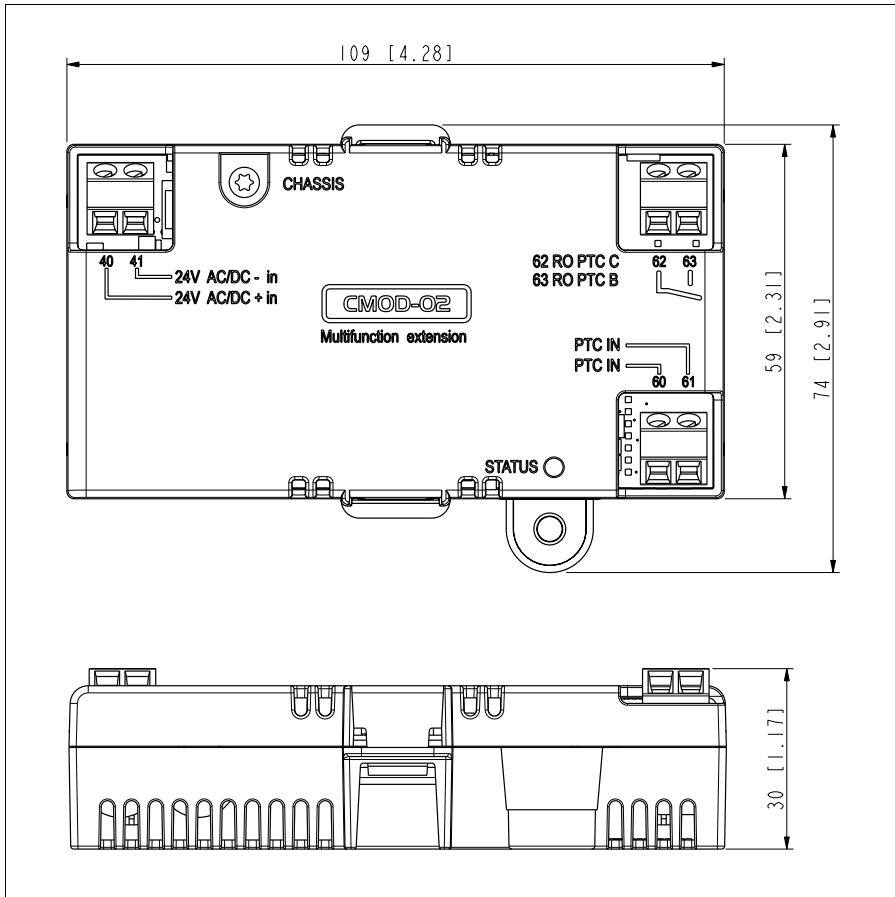
The extension module has one diagnostic LED.

Color	Description
Green	The extension module is powered up.

■ **Technical data**

Dimension drawing:

The dimensions are in millimeters and [inches].

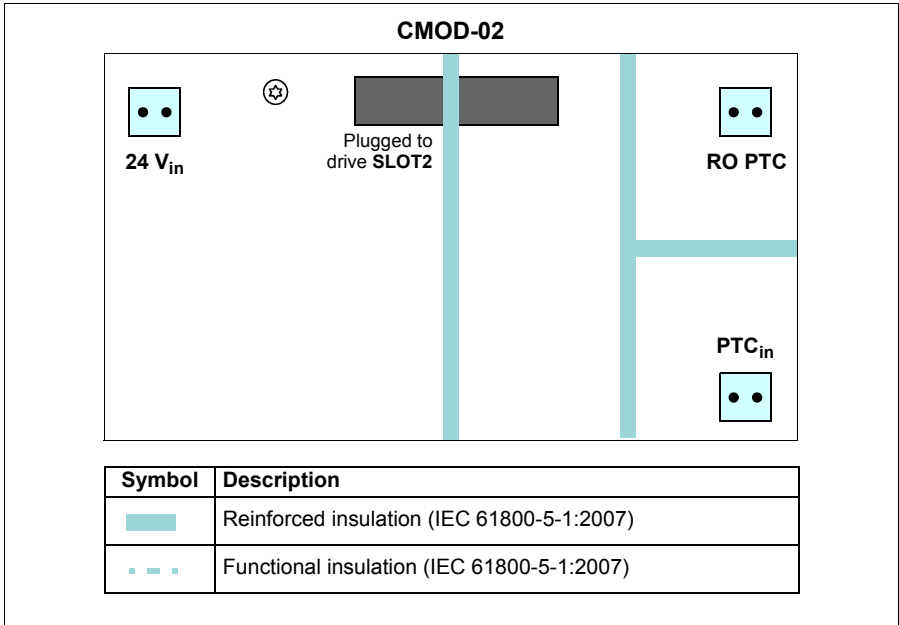


Installation: Into an option slot on the drive control unit

Degree of protection: IP20

Ambient conditions: See the drive technical data.

Package: Cardboard

Isolation areas:**Motor thermistor connection (60...61):**

- Wire size max. 1.5 mm²
- Supported standards: DIN 44081 and DIN 44082
- Number of PTC thermistor relays: 1 or 3...6 in series
- Triggering threshold: 3.6 kohm
- Recovery threshold: 1.6 kohm
- PTC terminal voltage: ≤ 5.0 V
- PTC terminal current: < 1 mA
- Short-circuit detection: < 50 ohm

Relay output (62...63):

- Wire size max. 1.5 mm²
- Maximum contact rating: 250 V AC / 30 V DC / 5 A
- Maximum breaking capacity: 1000 VA

External power supply (40...41):

- Wire size max. 1.5 mm²
- 24 V AC / V DC $\pm 10\%$ (GND, user potential)
- Maximum current consumption: 25 W, 1.04 A at 24 V DC

Further information

Product and service inquiries

Address any inquiries about the product to your local ABB representative, quoting the type designation and serial number of the unit in question. A listing of ABB sales, support and service contacts can be found by navigating to www.abb.com/searchchannels.

Product training

For information on ABB product training, navigate to www.abb.com/drives and select *Training courses*.

Providing feedback on ABB Drives manuals

Your comments on our manuals are welcome. Go to www.abb.com/drives and select *Document Library – Manuals feedback form (LV AC drives)*.

Document library on the Internet

You can find manuals and other product documents in PDF format on the Internet. Go to www.abb.com/drives and select *Document Library*. You can browse the library or enter selection criteria, for example a document code, in the search field.

Contact us

www.abb.com/drives

www.abb.com/drivespartners

3AXD50000018826 Rev C (EN) 2014-10-21



3AXD50000018826C

Power and productivity
for a better world™

